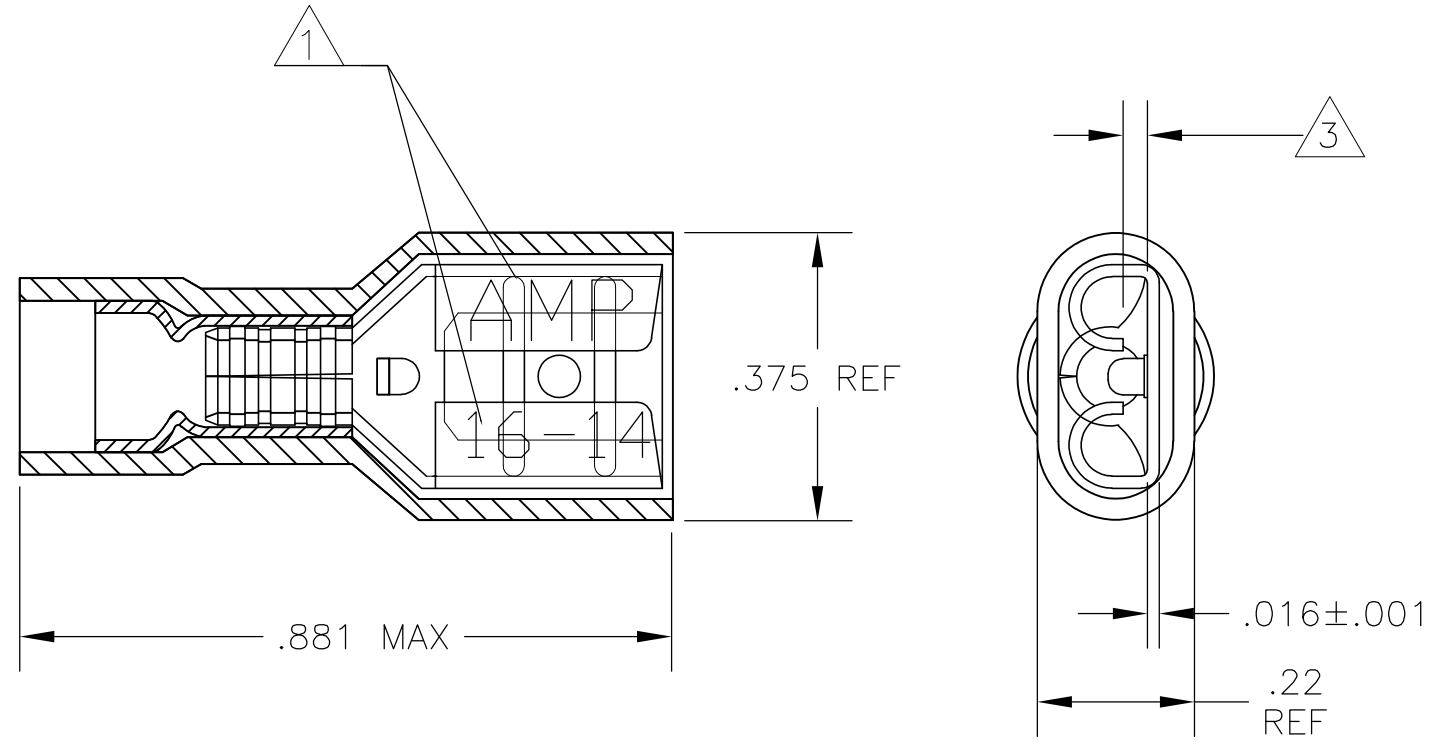


THIS DRAWING IS UNPUBLISHED. RELEASED FOR PUBLICATION
 © COPYRIGHT - By - ALL RIGHTS RESERVED.

LOC	DIST	REVISIONS					
G	86	P	LTR	DESCRIPTION	DATE	DWN	APVD
		E2		REVISED PER ECO-11-004820	11MAR11	RK	HMR

AMP WIRE RANGE	 FILE E66717	 LR7189 Certified
16-14 AWG STRANDED	16-14 AWG STRANDED	16-14 AWG STRANDED

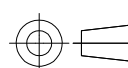



- ① MARKED AMP 16-14
- ② DESIGNED FOR WIRE INSULATION DIA OF .105-.160.
- ③ MATES WITH .250±.003 BY .032±.001 THK TAB.
- ④ BODY: BRASS, TIN PLATED SLEEVE: NYLON, BLUE
- ⑤ RATED FOR 15 MAX AMPERE

100	LOOSE PIECE	8-696366-1
1000	LOOSE PIECE	696366-1
QTY	PACKAGE TYPE	PART NO.

TE CONNECTIVITY CUSTOMER SERVICE SYSTEM	
FOR ADDITIONAL PRODUCT INFORMATION OR COPIES OF DRAWING AND TECHNICAL DOCUMENTS	PRODUCT INFORMATION CENTER 1-800-522-6752
FOR APPLICATION TOOLING INFORMATION	TOOLING ASSISTANCE CENTER 1-800-722-1111
FOR ORDER ENTRY	1-800-526-5142

MAX RECOMMENDED OPERATING TEMPERATURE: 105°C [221°F]
VOLTAGE RATING: 300V MAX
CIRCULAR MIL AREA: 2,050-5,180 STRANDED

THIS DRAWING IS A CONTROLLED DOCUMENT.	
DIMENSIONS: INCHES	TOLERANCES UNLESS OTHERWISE SPECIFIED:
	0 PLC ± - 1 PLC ± - 2 PLC ± - 3 PLC ± .008 4 PLC ± - ANGLES ± - FINISH
MATERIAL - ④	FINISH - ④

DWN JR RUTH 07NOV01	 TE Connectivity RECEPTACLE, 250 SERIES, FASTON, FULLY INSULATED, WIRE: 16-14 AWG	RESTRICTED TO		
CHK T MICHELUTTI 07NOV01		NAME		
APVD T MICHELUTTI 07NOV01		SIZE	CAGE CODE	DRAWING NO
PRODUCT SPEC		A3	00779	C-696366
APPLICATION SPEC	114-13076	SCALE	1:1	
WEIGHT	-	SHEET	1 OF 1	
CUSTOMER DRAWING		REV	E2	