

# Switching Power Supply S8PS

## Compact DIN-Rail Mounting Industrial Power Supplies with Capacities Up to 600 W

- Models range from 50 W to 600 W.
- Universal input: voltage range 100 to 240 VAC.
- Power Factor Correction (PFC) on all models.
- UL508 approval on 100-W and 150-W models.
- DIN-rail mounting brackets provided (except with 600-W model).
- Protection-ON alarm indicators (300-W and 600-W models).
- UL, CSA, VDE, and CE approved.
- 3-year warranty.



## Ordering Information

**Stock Note:** Shaded models are normally stocked.

### ■ OPEN-FRAME TYPE

Rated input voltage	Power ratings	Output		Part number	
		Voltage	Current	Front-mounting bracket	DIN-rail mounting bracket
100 to 240 VAC	50 W	5 V	10 A	S8PS-05005	S8PS-05005D
		12 V	4.2 A	S8PS-05012	S8PS-05012D
		24 V	2.1 A	S8PS-05024	S8PS-05024D
	100 W	24 V	4.5 A	S8PS-10024	S8PS-10024D
	150 W	24 V	6.5 A	S8PS-15024	S8PS-15024D

### ■ COVERED TYPE

**Stock Note:** Shaded models are normally stocked.

Rated input voltage	Power ratings	Output		Part number	
		Voltage	Current	Front-mounting bracket	DIN-rail mounting bracket
100 to 240 VAC	50 W	5 V	10 A	S8PS-05005C	S8PS-05005CD
		12 V	4.2 A	S8PS-05012C	S8PS-05012CD
		24 V	2.1 A	S8PS-05024C	S8PS-05024CD
	100 W	24 V	4.5 A	S8PS-10024C	S8PS-10024CD
	150 W	24 V	6.5 A	S8PS-15024C	S8PS-15024CD

■ ENCLOSED TYPE

Stock Note: Shaded models are normally stocked.

Rated input voltage	Power ratings	Output		Part number	
		Voltage	Current	Front-mounting bracket	DIN-rail mounting bracket
100 to 240 VAC	300 W	24 V	14 A	S8PS-30024C	S8PS-30024CD
	600 W	24 V	27 A	S8PS-60024C	---

■ MODEL NUMBER LEGEND

S8PS-        
           1      2      3

1. Power Ratings

- 050: 50 W
- 100: 100 W
- 150: 150 W
- 300: 300 W
- 600: 600 W

2. Output Voltage

- 05: 5 V
- 12: 12 V
- 24: 24 V

3. Configuration

- C: Covered type with Front-mounting Bracket
- D: Open-frame type with DIN Rail Mounting Bracket
- CD: Covered type with DIN Rail Mounting Bracket
- None: Open-frame type with Front-mounting Bracket

■ ACCESSORIES (SOLD SEPARATELY)

Stock Note: Shaded models are normally stocked.

Description	Length	Width	Part number
DIN-rail (See <i>Dimensions</i> section for details.)	0.5 m (1.64 ft)	7.3 mm (0.29 in)	PFP-50N
	1 m (3.28 ft)	7.3 mm (0.29 in)	PFP-100N
	1 m (3.28 ft)	16 mm (0.63 in)	PFP-100N2

# Specifications

Item	50 W	100 W	150 W	300 W	600 W
Efficiency (typical)	74 to 80% (depends on the model)				
Life expectancy (See Note 3.)	10 yrs. min. (used at 40°C at the rated input with a 50% load, standard installation)				
<b>Input</b>					
Voltage	100 to 240 VAC (85 to 264 VAC)				
Frequency	47 to 63 Hz				
Current (See Note 1.)	0.9 or 0.45 A max.	1.8 or 0.9 A max.	2.7 or 1.4 A max.	5.4 or 2.7 A max.	10 or 5 A max.
Power factor (See Note 1.)	0.95 TYP.				
Leakage current (See Note 1.)	0.5 or 1.0 mA max.				
Inrush current (25°C, cold start) (See Note 1.)	25 or 50 A max.				

(This table continues on the next page.)

- Note: 1. 100% load for rated input voltage (100 VAC or 200 VAC)
2. Mean Time Between Failures is calculated according to the probability of accidental device failures, and indicates reliability of devices. Therefore, it does not necessarily represent a life of the product.
3. The life expectancy shown in the above table indicates average operating hours under the ambient temperature of 40°C and a load rate of 50%. Normally this is determined by the life expectancy of the built-in aluminum electrolytic capacitor. It must be noted that the life expectancy of the fan built into the 600-W model is not included.
4. The weight indicated is for the open-frame type. (Includes the cover for 300-W and 600-W models.)

Specifications Table – continued from previous page

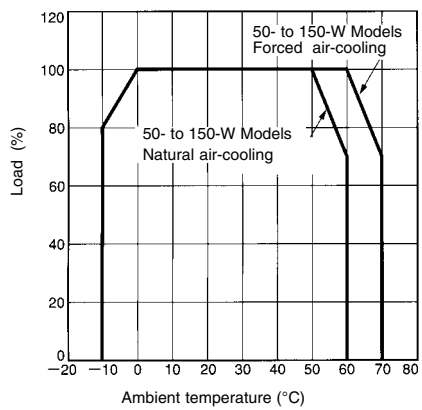
Item	50 W	100 W	150 W	300 W	600 W
<b>Output</b>					
Voltage adjustment range	-5% to 10%				
Ripple (See Note 1.)	2% (p-p) max.				
Input variation influence	0.4% max. (at 85 to 132 VAC input/at 170 to 264 VAC input, 100% load)				
Load variation influence	0.8% max. (with rated input, 0 to 100% load)				
Temperature variation influence (See Note 1.)	0.05%/°C max.				
Rise time	1,000 ms max. (up to 90% of output voltage at rated output voltage/current)				
Hold time (See Note 1.)	20 ms min.				
<b>Additional functions</b>					
Overload protection	105% min., voltage trailing intermittent operation (With the 600-W model, output is turned OFF at 5 s min.)				
Overvoltage protection	Yes				
Overheat protection	No				Yes
Protection-ON alarm indicator	No			Yes (Red)	
Parallel operation	No			Yes, 2 units max.	
<b>Characteristics</b>					
Cooling method	Natural air-cooling			Fan	
Ambient temperature	Operating	See the derating curve in the <i>Engineering Data</i> section. (with no condensation or icing)			
	Storage	-25°C to 65°C (-13°F to 149°F) with no condensation or icing			
Ambient humidity	25% to 85%				
Dielectric strength	3.0 kVAC, 50/60 Hz for 1 min (between all inputs and outputs) 2.2 kVAC, 50/60 Hz for 1 min (between all inputs and GR terminals) 1 kVAC, 50/60 Hz for 1 min (between all outputs and GR terminals)				
Insulation resistance	100 MΩ min. (between all output and input/GR terminals at 500 VDC)				
Vibration resistance	10 to 55 Hz, 0.75-mm amplitude for 2 h each in X, Y, and Z directions				
Shock resistance	300 m/s <sup>2</sup> (approx. 30G), 3 times each in ±X, ±Y, and ±Z directions				
Output indicator	Yes (green)				
Electromagnetic interference	Conforms to FCC Class B, EN50081-1				
EMC	(EMI): Emission Enclosure: EN50081-1 EN55022 class B Emission AC Mains: EN55022 class B Harmonic Current: EN61000-3-2 (EMS): Immunity ESD: EN50082-2 EN61000-4-2: 4-kV contact discharge (level 2) 8-kV air discharge (level 3) Immunity RF-interference: ENV50140: 10 V/m (80 MHz to 1 GHz) (level 3) Immunity Conducted Disturbance: ENV50141: 10 V (0.15 to 80 MHz) (level 3) Immunity Burst: EN61000-4-4: 2-kV power-line (level 3) 2-kV output line (level 4) Immunity Surge: EN61000-4-5: between 3-kV lines between 4.5-kV line and FG				
Approved standards	UL508, UL1012, CSA C22.2 No. 950, CSA C22.2 No. 14, EN60950, VDE0160.				
Mean Time Between Failure (MTBF) See Note 2.	135,000 hrs min.				60,000 hrs min.
Weight (See Note 4.)	400 g max.	700 g max.	900 g max.	2,200 g max.	3,500 g max.

- Note: 1. 100% load for rated input voltage (100 VAC or 200 VAC)
2. Mean Time Between Failures is calculated according to the probability of accidental device failures, and indicates reliability of devices. Therefore, it does not necessarily represent a life of the product.
3. The life expectancy shown in the above table indicates average operating hours under the ambient temperature of 40°C and a load rate of 50%. Normally this is determined by the life expectancy of the built-in aluminum electrolytic capacitor. It must be noted that the life expectancy of the fan built into the 600-W model is not included.
4. The weight indicated is for the open-frame type. (Includes the cover for 300-W and 600-W models.)

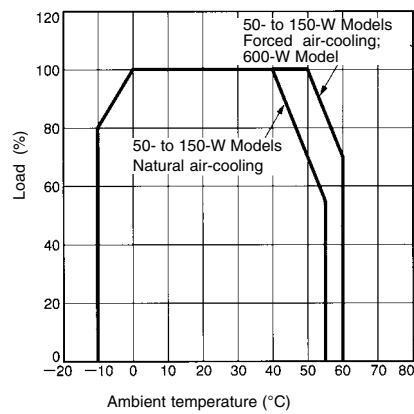
# Engineering Data

## DERATING CURVE

### Open-frame Type



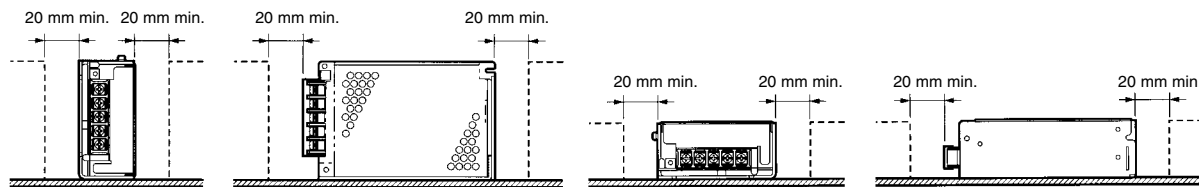
### Covered Type



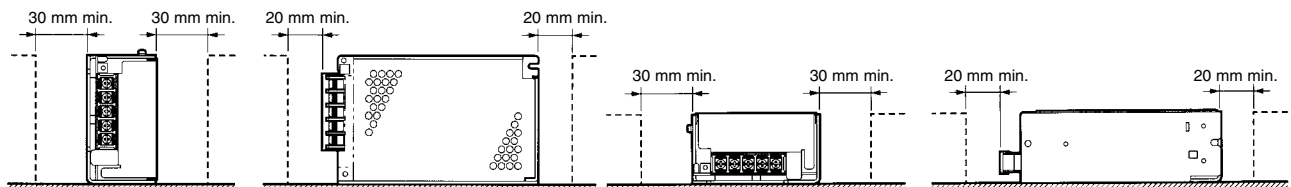
- Note: 1. The derating curve shown is for standard installation. The derating curve depends on mounting direction of the Power Supply.  
 2. Forced air-cooling must be provided with an air volume of 1 m<sup>3</sup>/min.

## STANDARD INSTALLATION

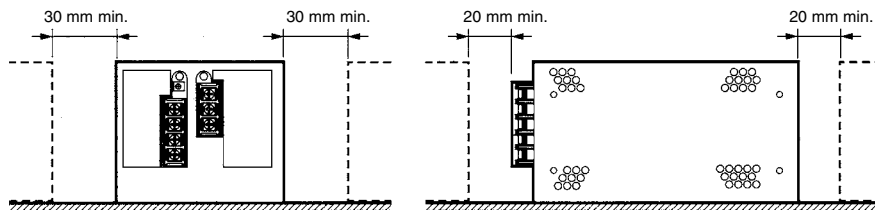
### 50-W Type



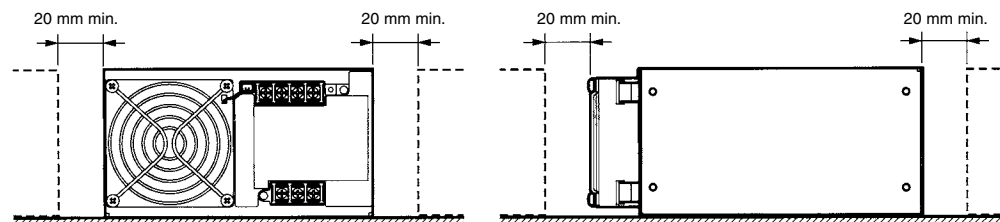
### 100/150-W Type



### 300-W Type



### 600-W Type



## OVERLOAD PROTECTION

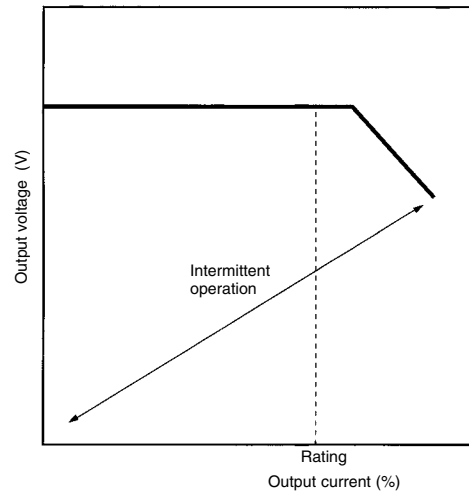
### 50- to 300-W Models

The Power Supply has an overload protection function that protects the load and the power supply from possible damage by overcurrent. When the output current rises above a set value (105% of the rated output current), the protection function is triggered, decreasing the output voltage. When the output current falls within the rated range, the overload protection function is automatically cleared.

### 600-W Models

If an excessive current flows for 5 s or more, the output will be turned OFF and simultaneously protection-ON alarm indicator will be lit. To reset the S8PS, turn OFF the input voltage, leave the S8PS for at least three minutes, and then apply the input voltage again.

Note: Do not continue using the S8PS with the output terminals short-circuited or the overcurrent condition continued, otherwise the internal elements of the S8PS may be damaged or broken.

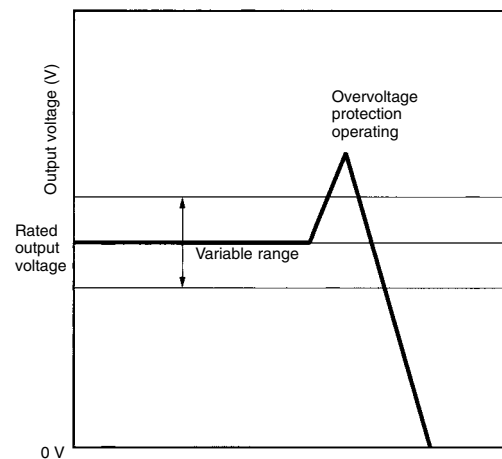


## OVERVOLTAGE PROTECTION

The Power Supply has an overvoltage protection function that protects the load and the Power Supply from possible damage by overvoltage. When the output voltage rises above a set value (120% of the rated output voltage), the protection function is triggered, shutting OFF the output voltage. If this occurs, reset the Power Supply by turning it OFF for 1 minute min. and then turning it ON again.

### 300- and 600-W Models

If voltage that is 115% of the rated output voltage or above is output, the output voltage will be turned OFF and simultaneously protection-ON alarm indicator will be lit. To reset the S8PS, turn OFF the input voltage, leave the S8PS for at least one minute and then apply the input voltage again.

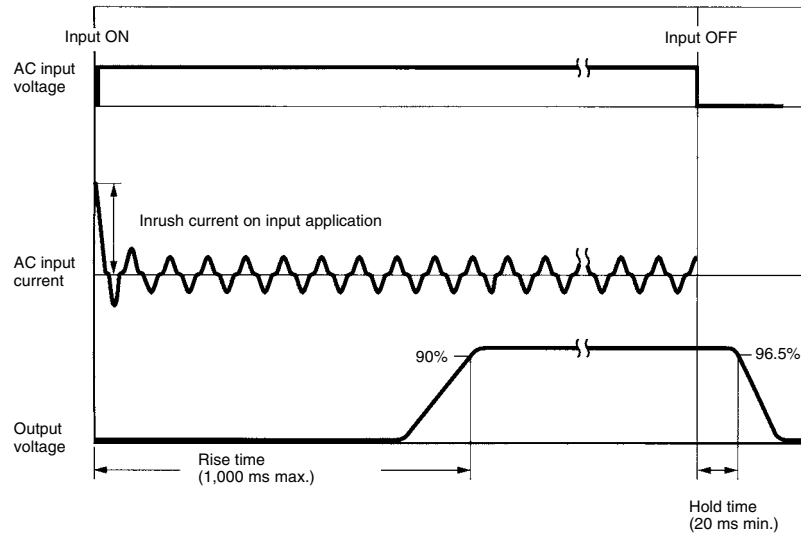


## OVERHEAT PROTECTION FUNCTION

### 600-W Model Only

If the internal temperature of the S8PS rises excessively as a result of fan failure or any other reason, the overheat protection circuit will be triggered to protect the internal elements of the S8PS and simultaneously a protection-ON alarm indicator will be lit. To reset the S8PS turn OFF the input voltage, leave the S8PS for at least one minute and then apply the input voltage again.

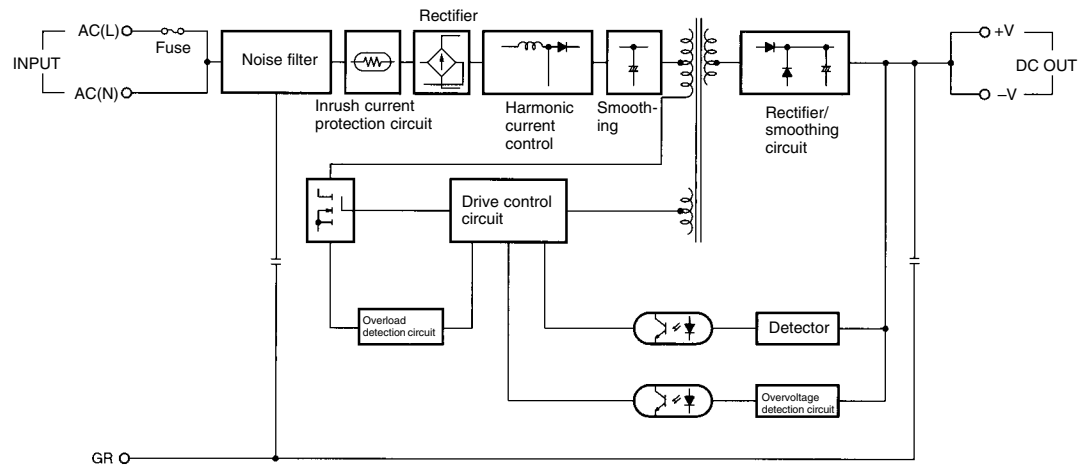
■ INRUSH CURRENT, START UP TIME, HOLD TIME



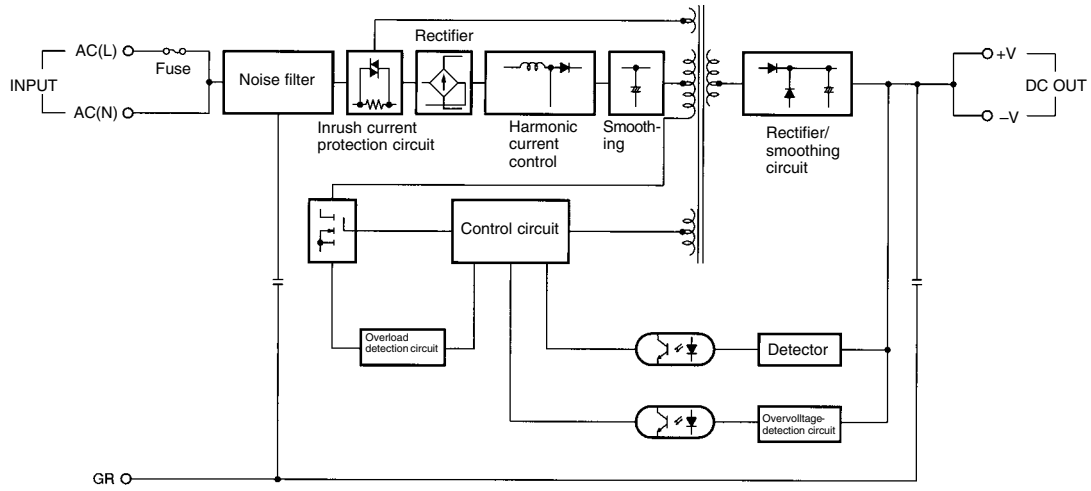
Operation

■ BLOCK DIAGRAMS

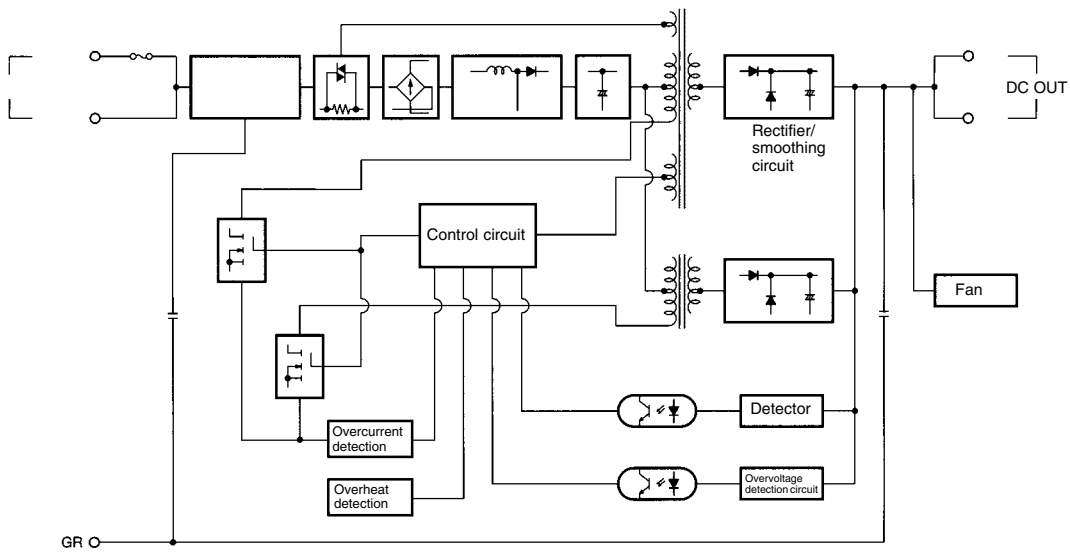
S8PS-050□□□□ (50 W)



S8PS-10024 (100 W)  
 S8PS-15024 (150 W)  
 S8PS-30024 (300 W)



S8PS-60024C (600 W)



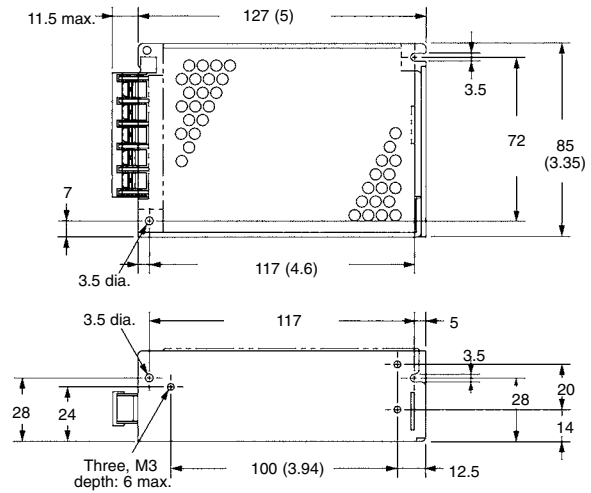
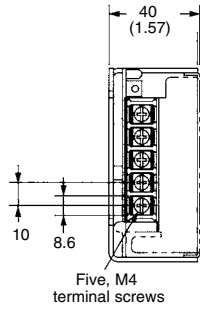
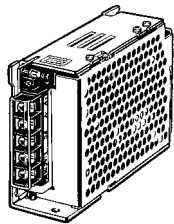
# Dimensions

Unit: mm (inch)

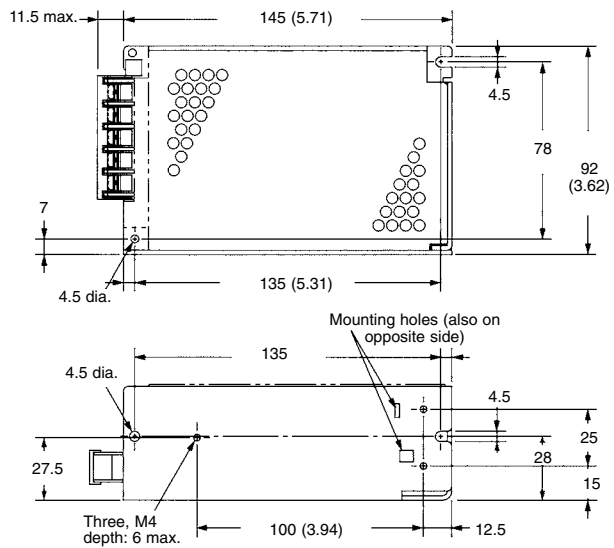
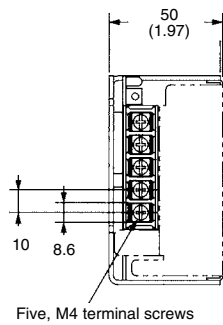
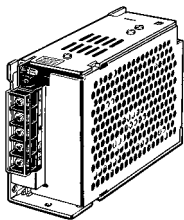
## FRONT-MOUNTING BRACKET TYPE

Note: For instructions on how to install the front-mounting brackets, refer to the a subsequent section: *FRONT-MOUNTING BRACKETS*.

**S8PS-050□□ (50 W)**  
**S8PS-050□□C (50 W)**

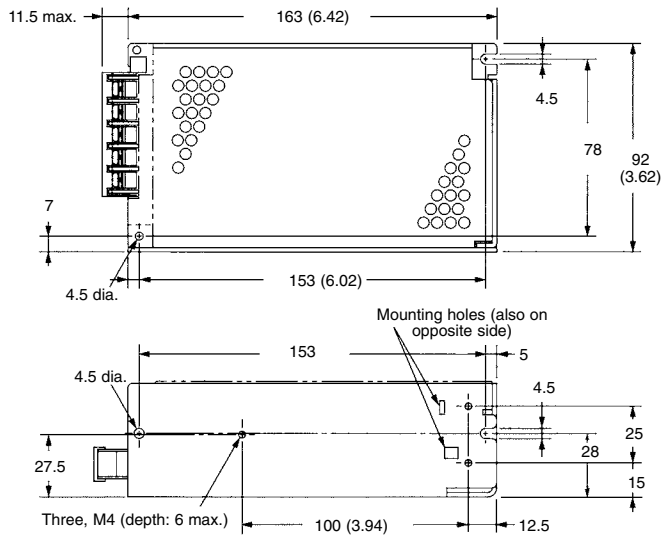
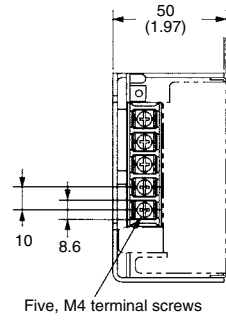
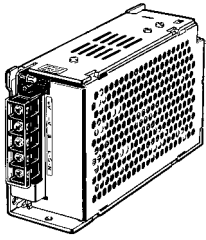


**S8PS-10024 (100 W)**  
**S8PS-10024C (100 W)**

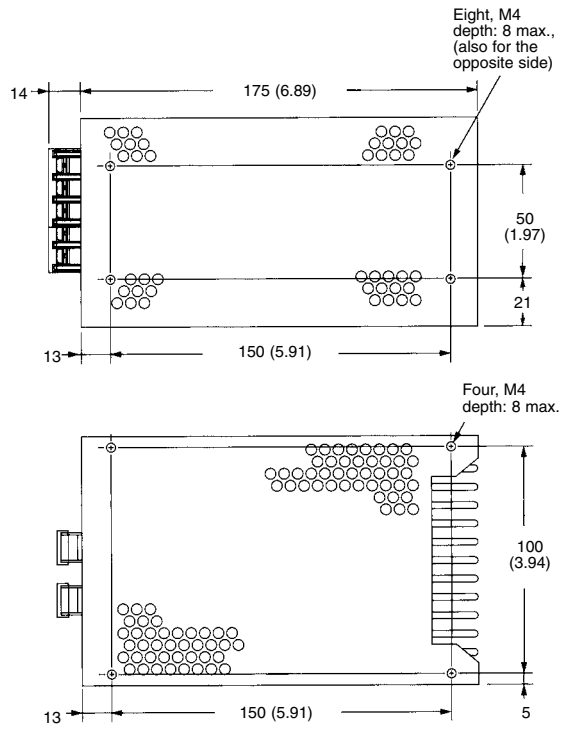
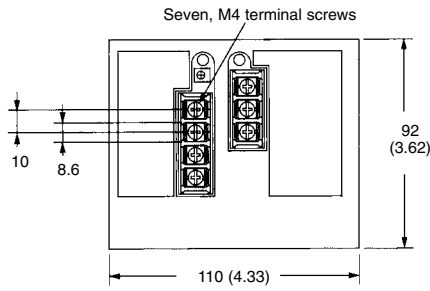
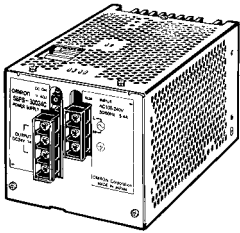




**S8PS-15024 (150 W)**  
**S8PS-15024C (150 W)**

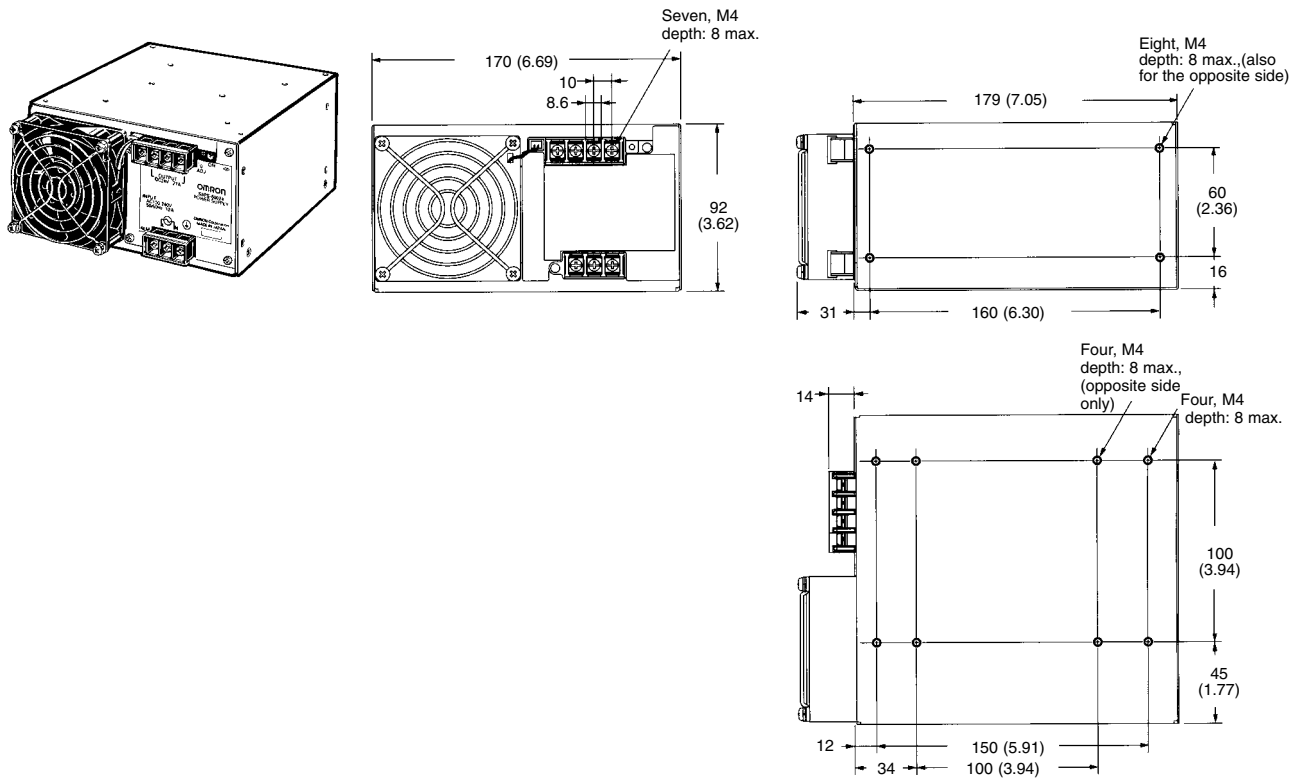


**S8PS-30024C (300 W)**



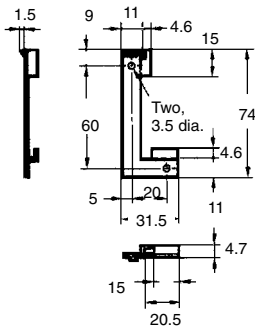
Unit: mm (inch)

**S8PS-60024C (600 W)**



■ **FRONT-MOUNTING BRACKETS**

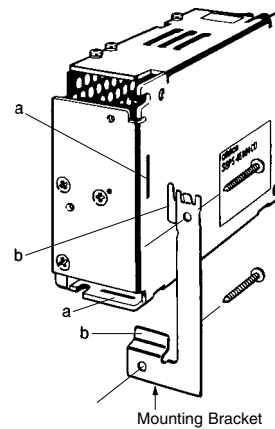
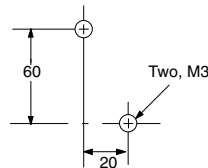
**50-W Models**



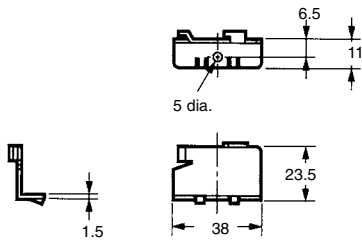
**Using the Mounting Bracket**

Attach the Mounting Bracket to the panel and loosely tighten the two screws. Insert the projected parts of the Bracket (b) to the square holes of the power supply (a). Then securely tighten the screws.

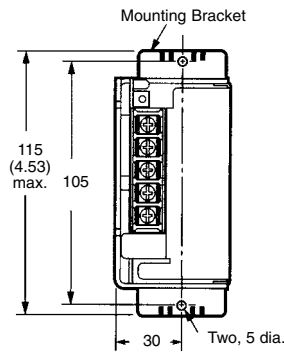
**Mounting Holes**



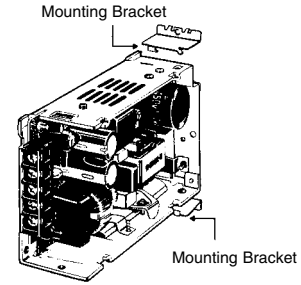
**100/150-W Models**  
**Appearance and Mounting Dimensions**



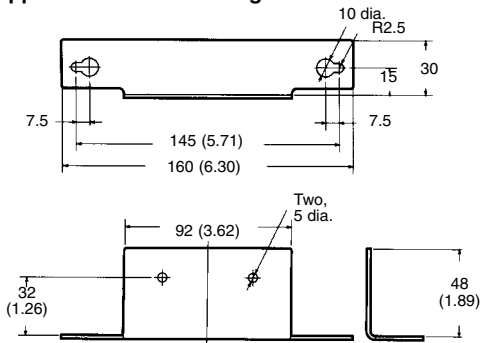
**Dimensions with Mounting Bracket**



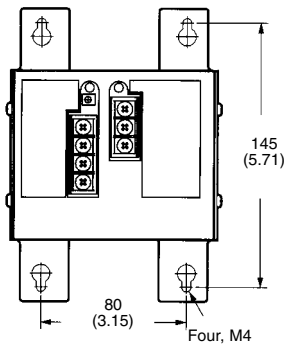
**Using the Mounting Bracket**



**300/600-W Models**  
**Appearance and Mounting Dimensions**



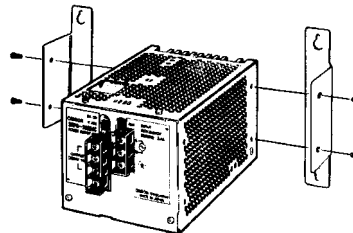
**Dimensions with Mounting Bracket – 300-W models**



**Using the Mounting Bracket**

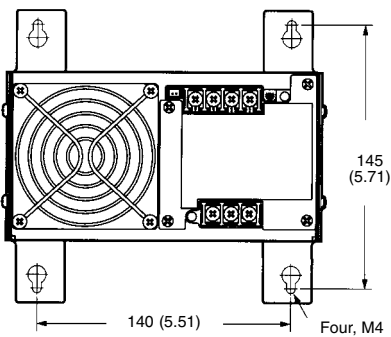
Note: Mounting screws for the Power Supply Unit are provided.

**300-W models**

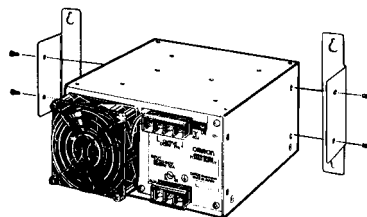


Note: Mount the Unit 21.6 mm away from the mounting surface in order to provide air ventilation on the rear side.

**Dimensions with Mounting Bracket – 600-W models**



**600-W models**

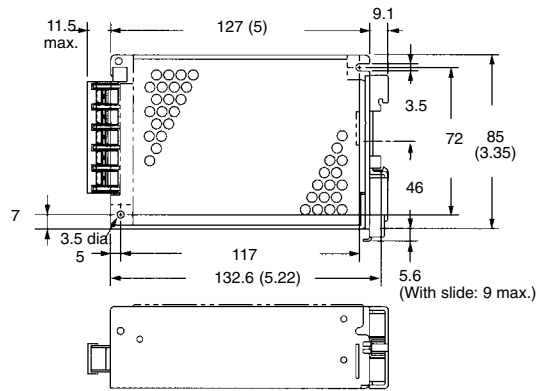
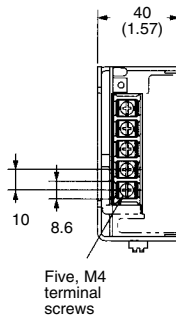
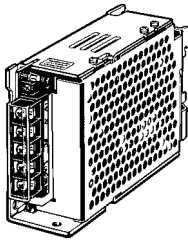


Note: Mount the Unit 28 mm away from the mounting surface in order to provide air ventilation on the rear side.

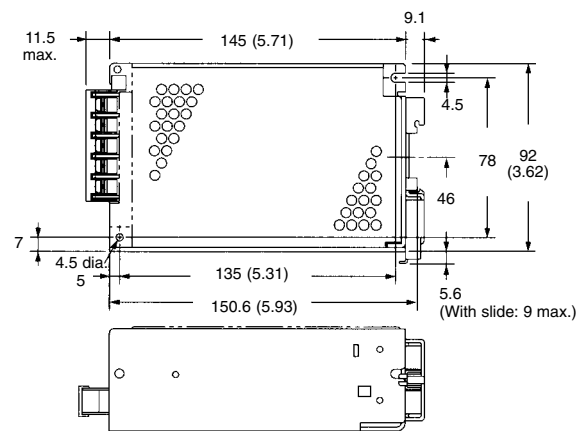
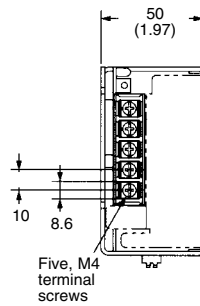
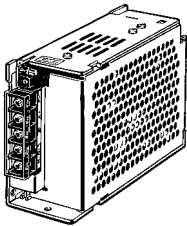
■ DIN-RAIL MOUNTING TYPE

Note: DIN-Rail Mounting Bracket is attached to the Power Supply Unit when the Unit is shipped.

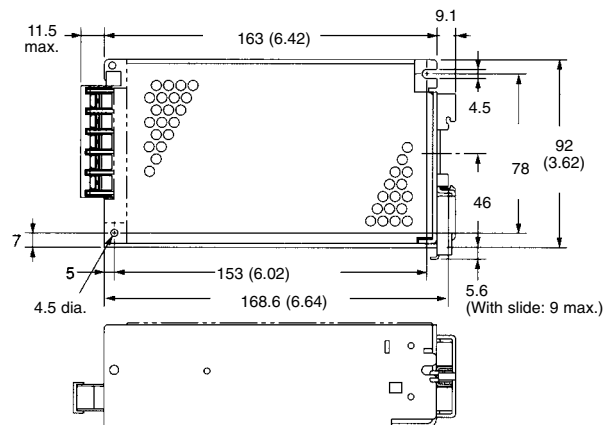
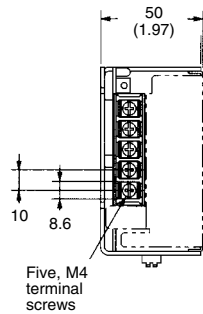
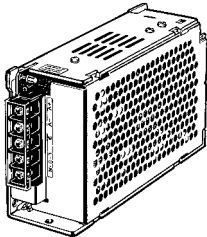
S8PS-050□□D (50 W)  
S8PS-050□□CD (50 W)



S8PS-10024D (100 W)  
S8PS-10024CD (100 W)

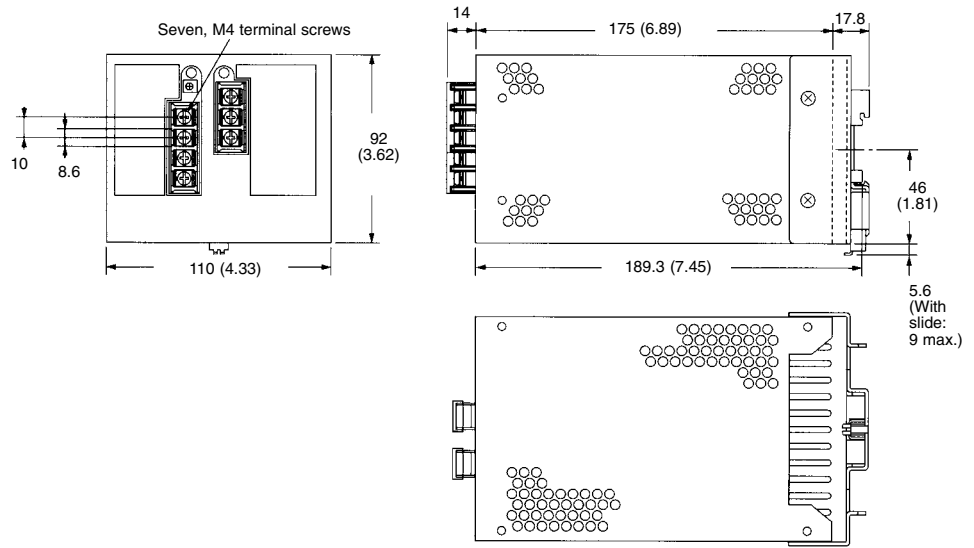
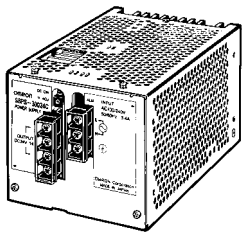


S8PS-15024D (150 W)  
S8PS-15024CD (150 W)



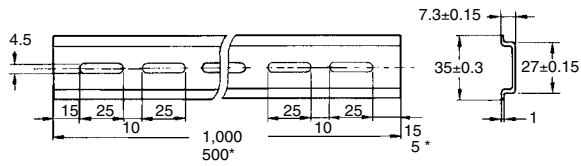
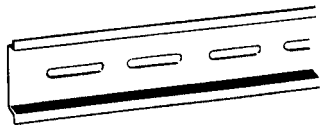
Unit: mm (inch)

**S8PS-30024CD (300 W)**

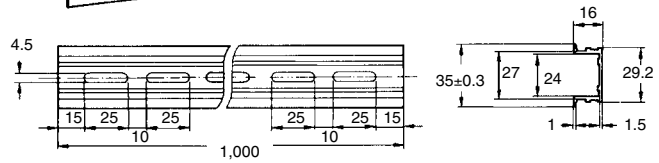
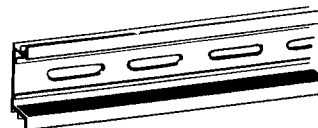


■ **DIN-RAIL (ORDER SEPARATELY)**

**PFP-100N/  
PFP-50N**



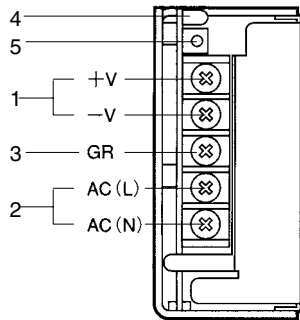
**PFP-100N2**



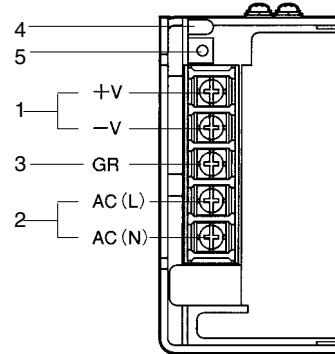
\* For PFP-50N

# Installation

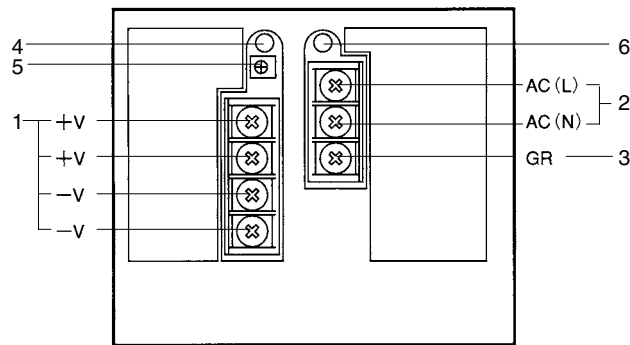
## ■ 50-W MODELS



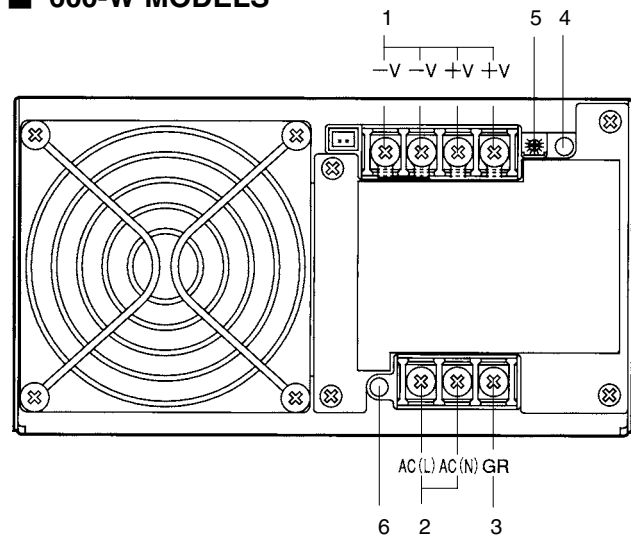
## ■ 100-/150-W MODELS



## ■ 300-W MODELS



## ■ 600-W MODELS



1. **DC Output Terminals:** Connect the load lines to these terminals.
2. **Input Terminals:** Connect the input lines to these terminals.  
Note: A fuse is inserted into the AC (L) side.
3. **Ground Terminal (GR):** Connect a ground line to this terminal.
4. **Output Indicator (DC ON):** Lights while a Direct Current (DC) output is ON.
5. **Output Voltage Adjuster (V.ADJ):** It is possible to increase or decrease the output voltage by 10%.
6. **Protection-ON Alarm Indicator:** The red indicator will be lit if the overvoltage (for a 300-/600-W model) or overheat protection (for a 600-W model) circuit is triggered. This indicator will also be lit when overcurrent (for a 600-W model) is detected.

# Precautions

**! WARNING**

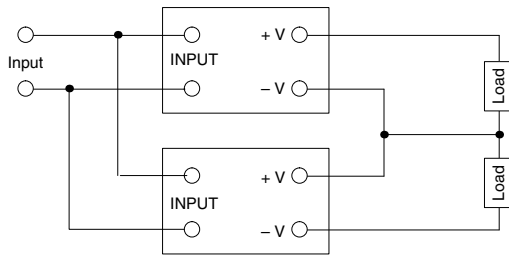
Do not touch the S8PS or heat radiation fin while the power is being supplied or immediately after the power is turned OFF. Otherwise, a skin burn may result from the hot Switching Power Supply or radiator.

**■ MOUNTING**

- When mounting the power supply, allow space for adequate air flow around it – to improve and maintain the reliability of the power supply over a long period of time. The power supply is designed to dissipate heat through natural air-flow.
- Omron recommends mounting the power supply to a metal plate.
- Forced air-cooling is recommended.

**■ GENERATING OUTPUT VOLTAGE (±)**

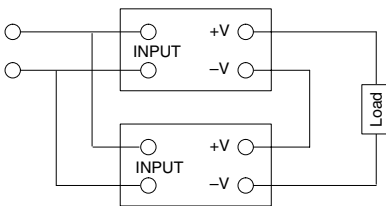
An output of ± can be generated by using two Power Supplies as shown below, because the Power Supply produces a floating output.



**■ SERIES OPERATION**

Only models with power ratings of 100/150 W allow series operation.

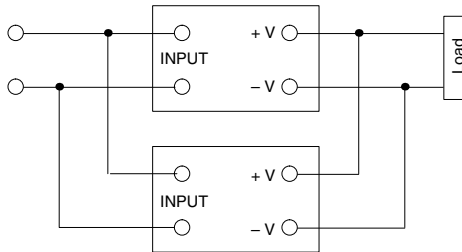
As shown in the following diagram, the output voltage from each Switching Power Supply can be added.



**■ PARALLEL OPERATION**

Only 300- and 600-W models can be in parallel operation provided that they are operated under 90% of the ratings. Do not operate any other models in parallel.

Make sure that the thickness and the length of all wires connected to the load are the same to ensure that the wires will have no voltage drop differences.

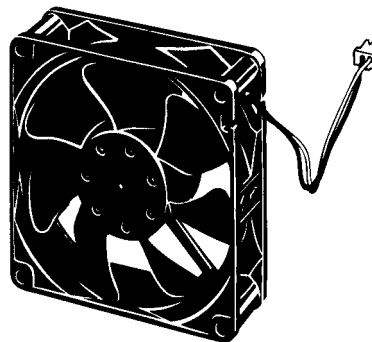


**■ FAN REPLACEMENT**

The service life of the fan is approximately 50,000 hours (at 25°C). The service life varies, however, depending on the ambient temperature or other surrounding environmental conditions such as dust. As a preventive maintenance measure, replace the fan within two years if it is used at an ambient temperature of 40°C.

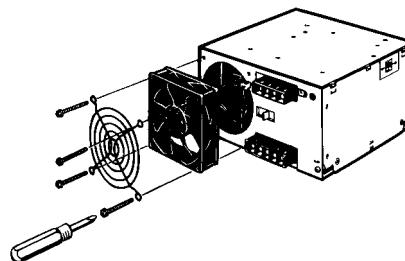
Fans are available as replacements.

Model: S82Y-JFAN



Fan Set:  
Fan (above), four M4 x 35 sems screws, instruction sheet, and packing case>

Replace the fan as shown in the following illustration.



ALL DIMENSIONS SHOWN ARE IN MILLIMETERS. To convert millimeters into inches, divide by 25.4

**OMRON**<sup>®</sup>

**OMRON ELECTRONICS LLC**

One Commerce Drive  
Schaumburg, IL 60173

**847-843-7900**

For US technical support or other inquiries:

**800-556-6766**

**OMRON CANADA, INC.**

885 Milner Avenue  
Toronto, Ontario M1B 5V8

**416-286-6465**

**OMRON ON-LINE**

Global - <http://www.omron.com>  
USA - <http://www.omron.com/oei>  
Canada - <http://www.omron.ca>