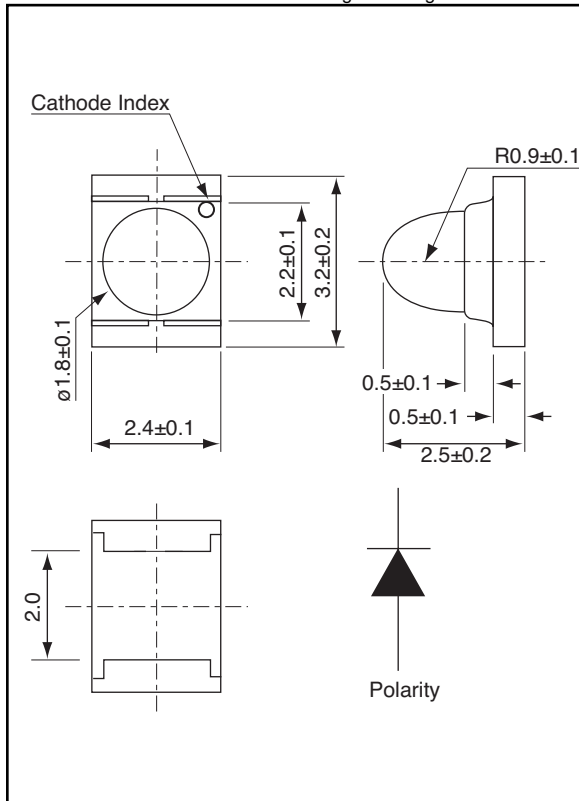




Weight: 2.0 mg Unit: mm



Product specifications contained herein may be changed without prior notice. It is therefore advisable to contact Purdy Electronics before proceeding with the design of equipment incorporating this product.

# AND5SA

## GaAsP Bright Red Light Emission Surface Mount Package

### Features

- Small package size with dome lens
- 3.2(l) x 2.4 (w) x 2.6 (h) size
- Suitable for REFLOW soldering
- Recommended Forward Current: 10 mA
- RoHS Compliant

### Maximum Ratings ( $T_a = 25^\circ\text{C}$ )

| Characteristics             | Symbol    | Rating    | Unit             |
|-----------------------------|-----------|-----------|------------------|
| Forward Current             | $I_F$     | 25        | mA               |
| Reverse Voltage             | $V_R$     | 4         | V                |
| Power Dissipation           | $P_D$     | 100       | mW               |
| Operating Temperature Range | $T_{Opr}$ | -30 to 85 | $^\circ\text{C}$ |
| Storage Temperature Range   | $T_{Sig}$ | -30 to 90 | $^\circ\text{C}$ |

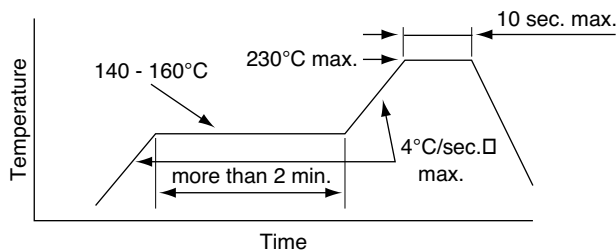
### Electro-Optical Characteristics ( $T_a = 25^\circ\text{C}$ )

| Characteristics          | Symbol          | Test Condition           | Minimum | Typical | Maximum | Unit          |
|--------------------------|-----------------|--------------------------|---------|---------|---------|---------------|
| Forward Voltage          | $V_F$           | $I_F = 20 \text{ mA}$    | –       | 2.0     | 2.8     | V             |
| Reverse Current          | $I_R$           | $V_R = 4 \text{ V}$      | –       | –       | 100     | $\mu\text{A}$ |
| Luminous Intensity       | $I_V$           | $I_F = 20 \text{ mA}$    | 24      | 40      | –       | mcd           |
| Peak Emission Wavelength | $I_P$           | $I_F = 20 \text{ mA}$    | –       | 640     | –       | nm            |
| Spectral Line Half Width | $\Delta\lambda$ | $I_F = 20 \text{ mA}$    | –       | 45      | –       | nm            |
| Dominant Wavelength      | $\lambda_d$     | $I_F = 20 \text{ mA}$    | –       | 625     | –       | nm            |
| Full Viewing Angle       | $\theta$        | $I_V = 1/2 \text{ Peak}$ | –       | 30      | –       | degree        |

### Precaution

Please be careful of the following:

- Manual soldering: maximum temperature of iron tip:  $260^\circ\text{C}$  max.  
Soldering time: within 5 sec. per solder-land  
Soldering portion of lead: up to 1.6 mm from the body of the device
- Reflow solder: recommended condition is as follows:



The following soldering patterns are recommended for reflow soldering

