

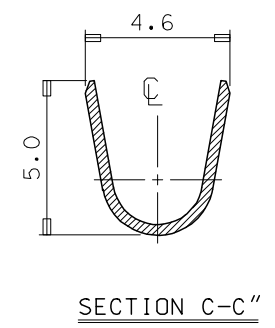
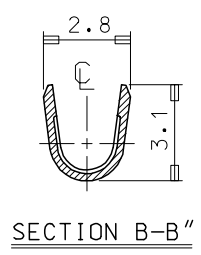
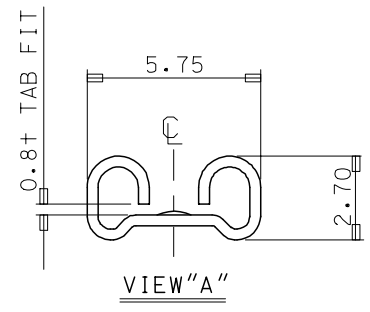
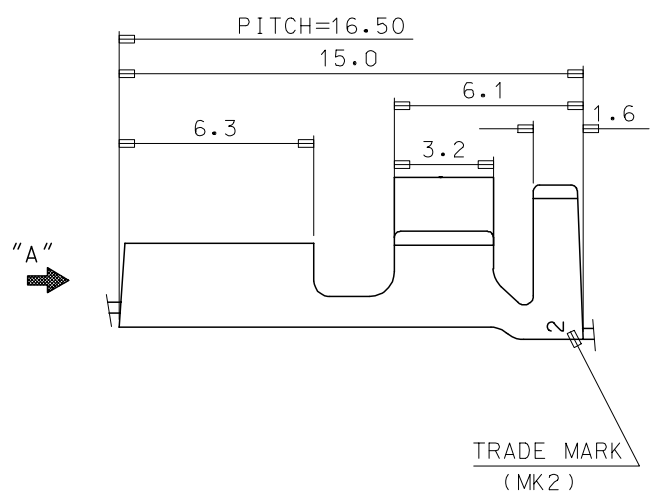
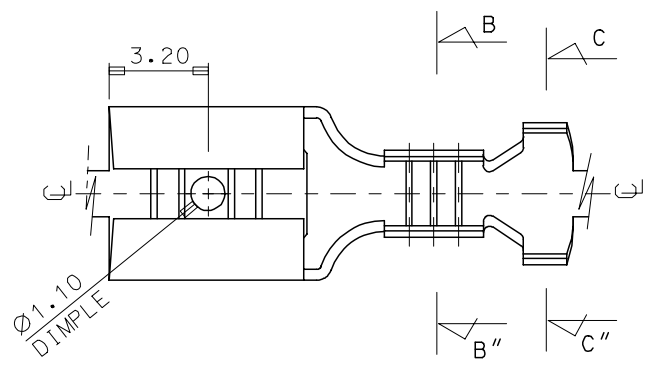
DWG. NO.
SD-35718-10*0

SIMILAR ITEM

PROJECT NO.

B

DO NOT SCALE DRAWING
DIMENSION IN METRIC



- NOTES
- MATERIAL: BRASS, 0.35THICKNESS
 - FINISH: 35718-1000:UNPLATED
35718-1010:POST-TIN PLATED

REVISED ECN NO. KOR2005-0198 DRWN: JB.JIN 05/04/29 CHK: W.Y.YANG APPR: CW.LEE	DESCRIPTION MAJOR CRITICAL	GENERAL TOLERANCES: (UNLESS SPECIFIED)		SCALE 6:1	DESIGN UNITS <input checked="" type="checkbox"/> mm <input type="checkbox"/> INCH	THIRD ANGLE PROJECTION	DIMENSIONS: <input type="checkbox"/> mm <input type="checkbox"/> INCH <input checked="" type="checkbox"/> mm ONLY		SHT	REV
		4 PLACES	±0.	±-	DRAWN BY & DATE W.Y.YANG 93/05/24		TITLE: .187 SLIP-ON REC' TERMINAL			
B1	REV	3 PLACES	±0.	±-	CHECKED BY & DATE B.K.CHOI 93/05/24		MOLEX INCORPORATED			
		2 PLACES	±0.30	±-	APPROVED BY & DATE C.W.LEE 93/05/24		CAD FILENAME S7181000AAMI	MATERIAL NO. SEE NOTES	DRAWING NO. SD-35718-10*0	SHEET NO. 1 OF 1
		1 PLACE	±0.20	±-	ANGULAR: ± °		THIS DRAWING CONTAINS INFORMATION THAT IS PROPRIETARY TO MOLEX INCORPORATED AND SHOULD NOT BE USED WITHOUT WRITTEN PERMISSION.		KOREA MX-A3	
		DRAFT WHERE APPLICABLE MUST REMAIN WITHIN DIMENSIONS								