

6

5

4

3

2

44610

D

D

C

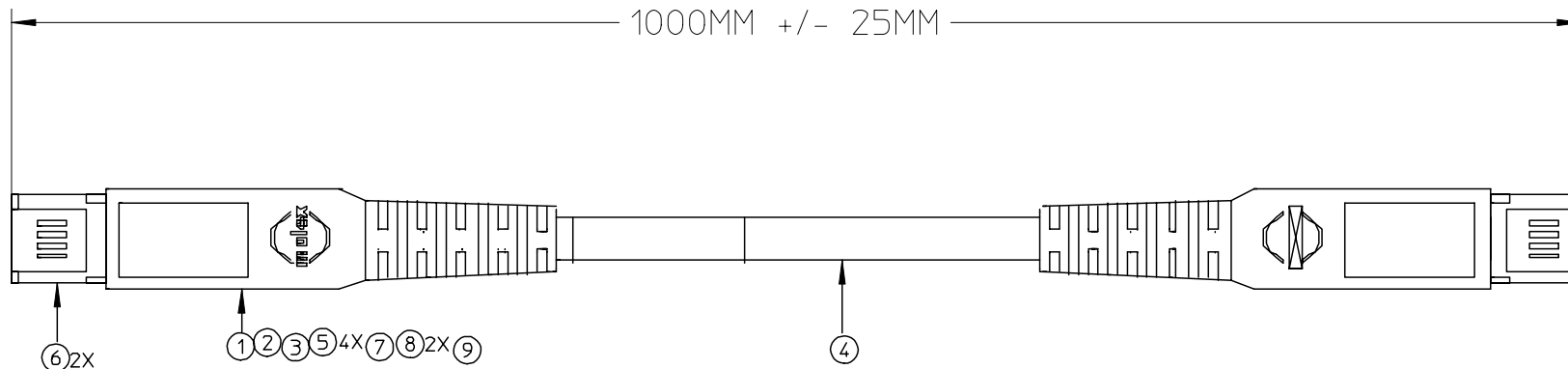
C

B

B

A

A



ITEM	DESCRIPTION	PART NUMBER	QTY
9	SHRINK TUB, 1/16" UL/VW-1/CSA MARKED	79941-1240	A/R
8	FERRUL FOR CABLE 6.3MM	446960001	2 PC
7	TAPE POLYIMIDE FILM 1/2" X 36 YDS	79900-2048	A/R
6	FINAL PLUG ASSY. SING 1394B BILINGUAL	449711001	2 PC
5	BACK SHELL HERMAPHRODITIC	446770001	4 PC
4	CABLE IEEE1394 (AWG25_6.8MM)	79923-2125	A/R
3	PVC 15% MF GREY UL94V-2	899920242	A/R
2	SHRINK TUB, 3/16" UL/VW-1/CSA MARKED	79941-1245	A/R
1	VINYL TAPE 1/4" BLACK	79900-2049	A/R

EC NO: MEX2005-0037 DRWN: SALBA 2004/10/12 CHKD: 2004/10/13 APPR: GVILLAGR 2004/10/14	QUALITY SYMBOLS	GENERAL TOLERANCES (UNLESS SPECIFIED)		SCALE ---	DESIGN UNITS METRIC	THIRD ANGLE PROJECTION	REVISE ON CAD ONLY	
		4 PLACES	± ---	± ---	DIMENSION STYLE MM ONLY		TITLE HARNESS ASSEMBLY BETA TO BETA KEYING	
		3 PLACES	± ---	± ---	DRAWN BY	DATE		
		2 PLACES	± ---	± ---	ECONTRER	10/10/2003	CHECKED BY	DATE
1 PLACE	± ---	± ---	ECONTRER	10/10/2003	MATERIAL NO.		DOCUMENT NO.	
		ANGULAR ±1/2°		APPROVED BY		SHEET NO.		
		DRAFT WHERE APPLICABLE MUST REMAIN WITHIN DIMENSIONS		JGUERRER	10/10/2003	44610003	SD-44610-003	
		THIS DRAWING CONTAINS INFORMATION THAT IS PROPRIETARY TO MOLEX INCORPORATED AND SHOULD NOT BE USED WITHOUT WRITTEN PERMISSION						A

5

4

3

2

1