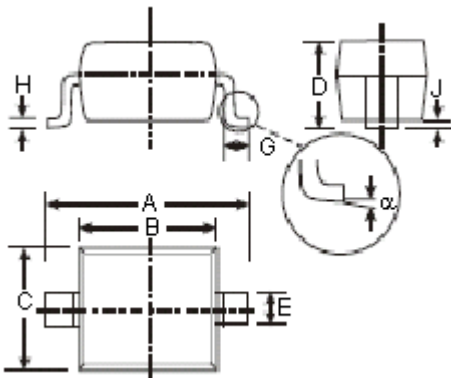




Features:

- Planar Die Construction.
- Ultra-Small Surface Mount Package.
- Ideally suited for Automated Assembly Processes.
- Also Available in Lead Free Version.

SOD-323



Dimensions : Millimetres

Dimensions	Minimum	Maximum
A	2.30	2.70
B	1.60	1.80
C	1.20	1.40
D	1.05 Typical	
E	0.25	0.35
G	0.20	0.40
H	0.10	0.15
J	0.05 Typical	
α	0°	8°

Dimensions : Millimetres

Mechanical Data:

- Case : SOD-323, Plastic.
 Case material : UL Flammability Rating Classification 94V-0.
 Moisture sensitivity : Level 1 per J-STD-020A.
 Terminals : Solderable per MIL-STD-202, Method 208.
 Also Available in Lead Free Plating : (Matte Tin Finish). Please see Ordering Information, Note 6, on Page 2.
 Polarity : Cathode Band.
 Marking : See Sheet 2.
 Weight : 0.004 grams (approx.).

Maximum Ratings at $T_A=25^\circ\text{C}$ unless otherwise specified

Characteristic	Symbol	Value	Unit
Forward Voltage (Note 2) at $I_F = 10\text{mA}$	V_F	0.9	V
Power Dissipation (Note 1)	P_d	200	mW
Thermal Resistance, Junction to Ambient Air (Note 1)	$R_{\theta JA}$	625	$^\circ\text{C/W}$
Operating and Storage Temperature Range	T_J, T_{STG}	-65 to +150	$^\circ\text{C}$

- Notes: 1. Part mounted on FR-4 PC board with recommended pad layout, as per <http://www.diodes.com/datasheets/ap02001.pdf>.
 2. Short duration test pulse used in minimize self-heating effect.

Electrical Characteristics at $T_A=25^\circ\text{C}$ unless otherwise specified

Marking Code	Zener Voltage Range (Note 2)			Maximum Zener Impedance (Note 3)			Maximum Reverse Current (Note 2)		Temperature Coefficient of Zener Voltage at $I_{ZT} = 5\text{mA}$ mV/°C		Part Number	
	V_Z at I_{ZT}			I_{ZT}	Z_{ZT} at I_{ZT}	Z_{ZK} at I_{ZK}	I_{ZK}	I_R	V_R	Minimum		Maximum
	Nom (V)	Minimum (V)	Maximum (V)	(mA)	Ω		mA	μA	V			
W3	3.3	3.1	3.5	5	95	600	1.0	5	1.0	-3.5	0	BZT52C3V3S
W4	3.6	3.4	3.8	5	90	600	1.0	5	1.0	-3.5	0	BZT52C3V6S
W5	3.9	3.7	4.1	5	90	600	1.0	3	1.0	-3.5	0	BZT52C3V9S
W6	4.3	4.0	4.6	5	90	600	1.0	3	1.0	-3.5	0	BZT52C4V3S
W7	4.7	4.4	5.0	5	80	500	1.0	3	2.0	-3.5	0.2	BZT52C4V7S
W8	5.1	4.8	5.4	5	60	480	1.0	2	2.0	-2.7	1.2	BZT52C5V1S
W9	5.6	5.2	6.0	5	40	400	1.0	1	2.0	-2.0	2.5	BZT52C5V6S
WA	6.2	5.8	6.6	5	10	150	1.0	3	4.0	0.4	3.7	BZT52C6V2S
WC	7.5	7.0	7.9	5	15	80	1.0	1	5.0	2.5	5.3	BZT52C7V5S
WD	8.2	7.7	8.7	5	15	80	1.0	0.7	5.0	3.2	6.2	BZT52C8V2S
WE	9.1	8.5	9.6	5	15	100	1.0	0.5	6.0	3.8	7.0	BZT52C9V1S
WF	10	9.4	10.6	5	20	150	1.0	0.2	7.0	4.5	8.0	BZT52C10S
WH	12	11.4	12.7	5	25	150	1.0	0.1	8.0	6.0	10.0	BZT52C12S
WI	13	12.4	14.1	5	30	170	1.0	0.1	8.0	7.0	11.0	BZT52C13S
WJ	15	13.8	15.6	5	30	200	1.0	0.1	10.5	9.2	13.0	BZT52C15S
WK	16	15.3	17.1	5	40	200	1.0	0.1	11.2	10.4	14.0	BZT52C16S
WL	18	16.8	19.1	5	45	225	1.0	0.1	12.6	12.4	16.0	BZT52C18S
WM	20	18.8	21.2	5	55	225	1.0	0.1	14.0	14.4	18.0	BZT52C20S
WN	22	20.8	23.3	5	55	250	1.0	0.1	15.4	16.4	20.0	BZT52C22S
WO	24	22.8	25.6	5	70	250	1.0	0.1	16.8	18.4	22.0	BZT52C24S
WP	27	25.1	28.9	2	80	300	0.5	0.1	18.9	21.4	25.3	BZT52C27S
WQ	30	28.0	32.0	2	80	300	0.5	0.1	21.0	24.4	29.4	BZT52C30S
WR	33	31.0	35.0	2	80	325	0.5	0.1	23.1	27.4	33.4	BZT52C33S
WS	36	34.0	38.0	2	90	350	0.5	0.1	25.2	30.4	37.4	BZT52C36S
WT	39	37.0	41.0	2	130	350	0.5	0.1	27.3	33.4	41.2	BZT52C39S

Notes : 2. Short duration test pulse used to minimize self-heating effect.
3. $f = 1\text{kHz}$.

Ordering Information (Note 4)

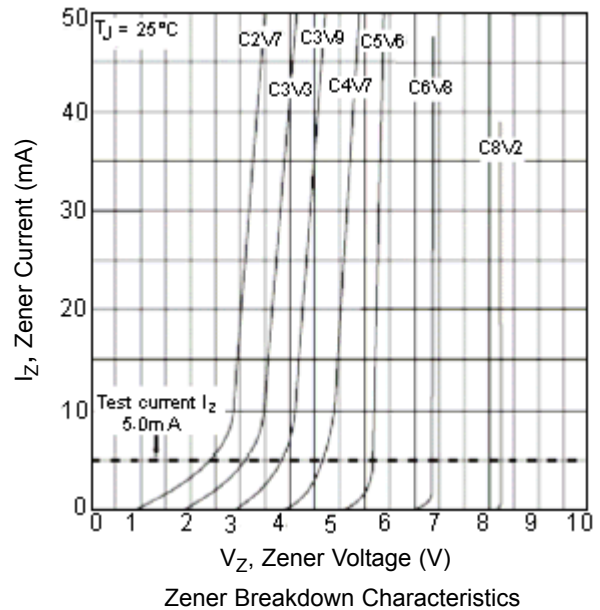
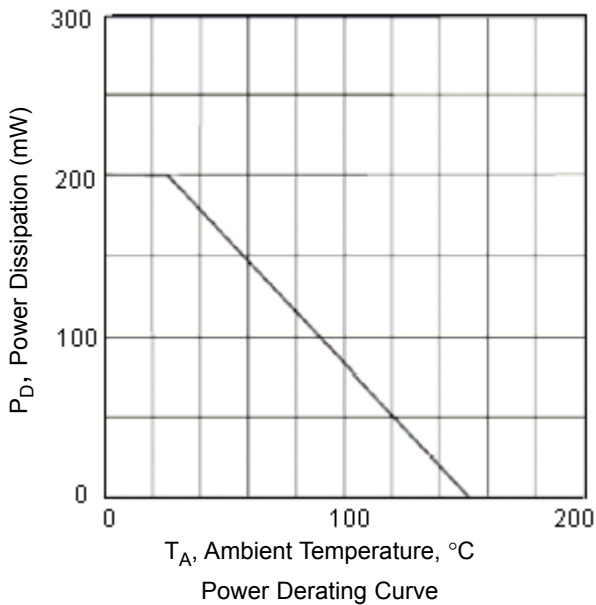
Device	Packaging	Shipping
(Type Number)-7*	SOD-323	3000/Tape & Reel

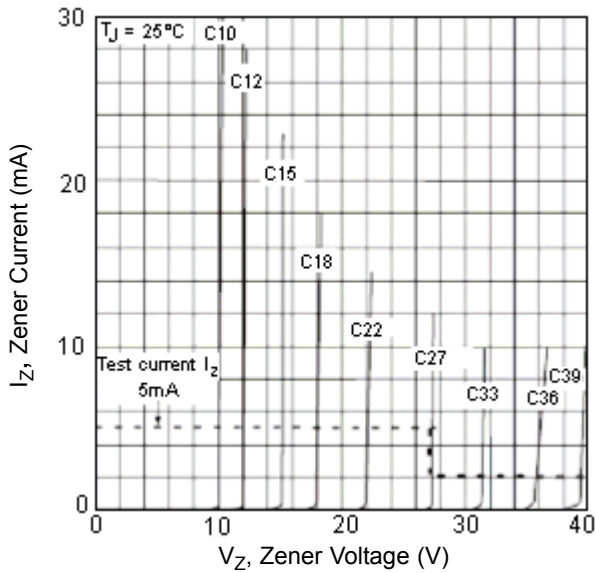
- Notes :
- *Add "=7" to the appropriate type number in Table 1 above example: 6.2V Zener = BZT52C6V2S-7.
 - For Packaging Details, go to our website at: <http://www.diodes.com/datasheets/ap02007.pdf>.
 - For Lead Free version (with Lead Free terminal finish) part number, please add '-F' suffix to part number above. Example: BZT52C39S-7-F.

Marking Information

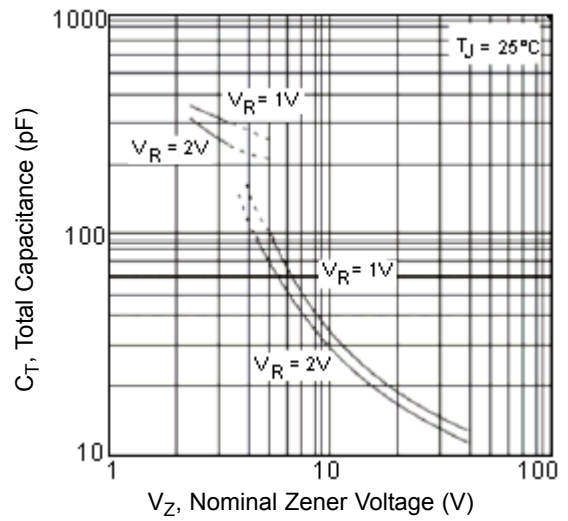


XX = Product Type Marking Code
(See Table Above)





Zener Breakdown Characteristics



Total Capacitance vs Nominal Zener Voltage

Part Number Table

Description	Part Number
DIODE, ZENER 0.2W SOD-323	BZT52C3V3S
	BZT52C3V6S
	BZT52C3V9S
	BZT52C4V3S
	BZT52C4V7S
	BZT52C5V1S
	BZT52C5V6S
	BZT52C6V2S
	BZT52C7V5S
	BZT52C8V2S
	BZT52C9V1S
	BZT52C10S
	BZT52C12S
	BZT52C13S
	BZT52C15S
	BZT52C16S
	BZT52C18S
	BZT52C20S
	BZT52C22S
	BZT52C24S
BZT52C27S	
BZT52C30S	
BZT52C33S	
BZT52C36S	
BZT52C39S	

Notes:

International Sales Offices:



AUSTRALIA - Farnell

Tel No: ++61 1300 361 005
Fax No: ++61 1300 361 225



FINLAND - Farnell

Tel No: ++358 9 560 7780
Fax No: ++358 9 345 5411



ITALY - Farnell

Tel No: ++39 02 93 995 200
Fax No: ++39 02 93 995 300



SPAIN - Farnell

Tel No: 901 20 20 80
Fax No: 901 20 20 90



AUSTRIA - Farnell

Tel No: ++43 662 2180 680
Fax No: ++43 662 2180 670



FRANCE - Farnell

Tel No: ++33 474 68 99 99
Fax No: ++33 474 68 99 90



MALAYSIA - Farnell-Newark

Tel No: ++60 3 7873 8000
Fax No: ++60 3 7873 7000



SWEDEN - Farnell

Tel No: ++46 8 730 50 00
Fax No: ++46 8 83 52 62



BELGIUM - Farnell

Tel No: ++32 3 475 2810
Fax No: ++32 3 227 3648



GERMANY - Farnell

Tel No: ++49 89 61 39 39 39
Fax No: ++49 89 613 59 01



NETHERLANDS - Farnell

Tel No: ++31 30 241 7373
Fax No: ++31 30 241 7333



SWITZERLAND - Farnell

Tel No: ++44 204 64 64
Fax No: ++44 204 64 54



BRAZIL - Farnell-Newark

Tel No: ++55 11 4066 9400
Fax No: ++55 11 4066 9410



HONG KONG - Farnell-Newark

Tel No: ++852 2268 9888
Fax No: ++852 2268 9899



NEW ZEALAND - Farnell

Tel No: 0800 90 80 80
Fax No: 0800 90 80 81



UK - Farnell

Tel No: ++44 8701 200 200
Fax No: ++44 8701 200 201



CHINA - Farnell-Newark

Tel No: ++86 10 6238 5152
Fax No: ++86 10 6238 5022



HUNGARY - Farnell

Tel No: ++44 870 1200 208
Fax No: ++44 870 1200 209



NORWAY - Farnell

Tel No: 800 146 70
Fax No: 800 146 76



UK - CPC

++44 8701 202 530
++44 8701 202 531



CZECH REPUBLIC - Farnell

Tel No: ++44 870 1200 208
Fax No: ++44 870 1200 209



INDIA - Farnell

Tel No: ++44 870 1200 208
Fax No: ++44 870 1200 209



PORTUGAL - Farnell

Tel No: ++34 93 475 8804
Fax No: ++34 93 474 5288



USA - Newark

Tel No: 800 463 9275



DENMARK - Farnell

Tel No: ++45 44 53 66 44
Fax No: ++45 44 53 66 06



IRELAND - Farnell

Tel No: ++353 1 830 9277
Fax No: ++353 1 830 9016



RUSSIA - Farnell

Tel No: ++44 870 1200 208
Fax No: ++44 870 1200 209



EXPORT - Farnell

Tel No: ++44 8701 200 208
Fax No: ++44 8701 200 209

For enquiries from all other markets



ESTONIA - Farnell

Tel No: ++358 9 560 7780
Fax No: ++358 9 345 5411



ISRAEL - Farnell

Tel No: ++180 937 0015
Fax No: ++180 937 0014



SINGAPORE - Farnell-Newark

Tel No: ++65 6788 0200
Fax No: ++65 6788 0300

<http://www.farnell.com>

<http://www.newark.com>

<http://www.cpc.co.uk>

Disclaimer This data sheet and its contents (the "Information") belong to the Premier Farnell Group (the "Group") or are licensed to it. No licence is granted for the use of it other than for information purposes in connection with the products to which it relates. No licence of any intellectual property rights is granted. The Information is subject to change without notice and replaces all data sheets previously supplied. The Information supplied is believed to be accurate but the Group assumes no responsibility for its accuracy or completeness, any error in or omission from it or for any use made of it. Users of this data sheet should check for themselves the Information and the suitability of the products for their purpose and not make any assumptions based on information included or omitted. Liability for loss or damage resulting from any reliance on the Information or use of it (including liability resulting from negligence or where the Group was aware of the possibility of such loss or damage arising) is excluded. This will not operate to limit or restrict the Group's liability for death or personal injury resulting from its negligence. SPC Multicomp is the registered trademark of the Group. © Premier Farnell plc 2008.