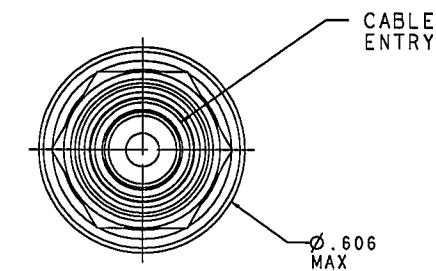
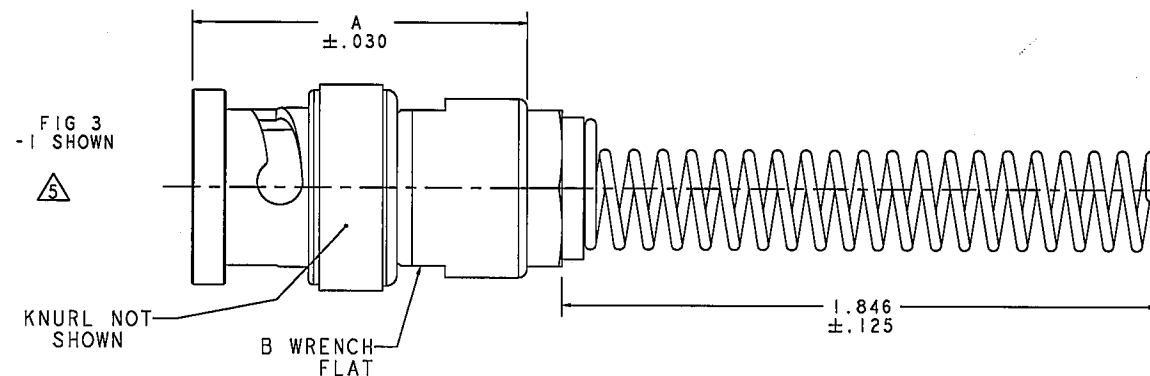
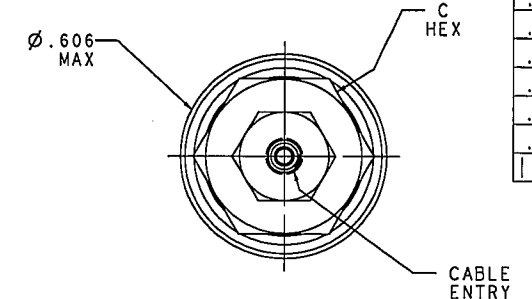
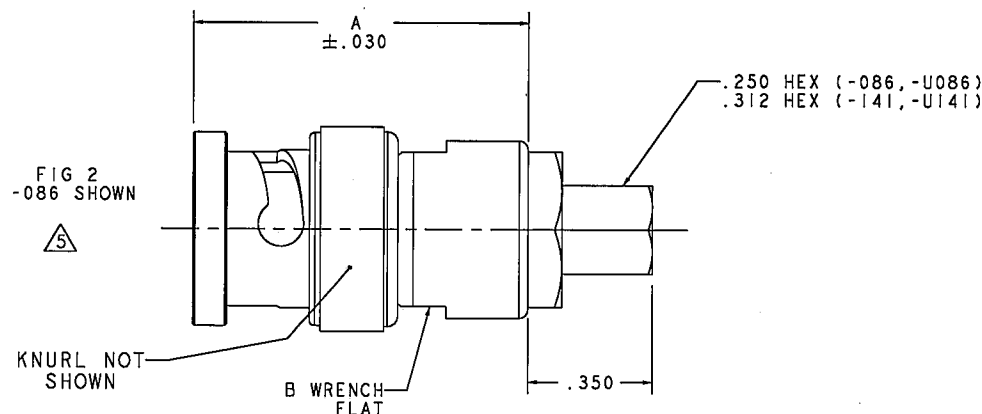
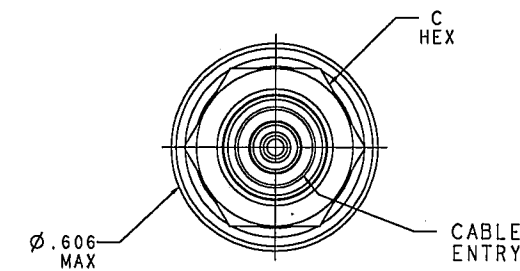
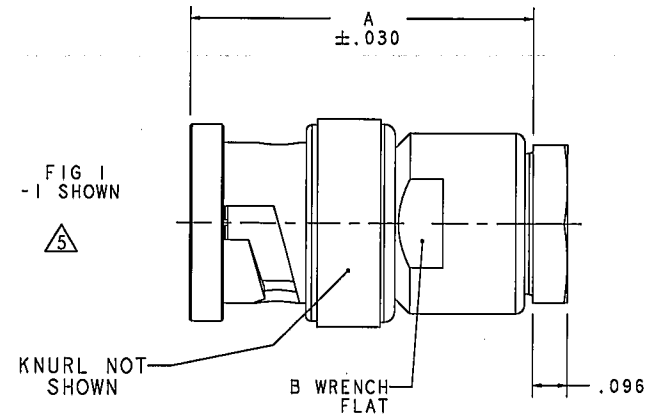


DATA CONTAINED IN THIS DOCUMENT IS PROPRIETARY TO TROMPETER ELECTRONICS, INC. AND SHALL NOT BE DISCLOSED, COPIED OR USED FOR PROCUREMENT OR MANUFACTURE WITHOUT EXPRESS WRITTEN PERMISSION.

REVISIONS			I-0369	SH 1C	
REV	ECO NO.	DESCRIPTION	DWN	APPROVED	DATE
AE	11583	DASH NO COLUMN -U1 WAS -1U; SHEET 2. MADE CORRECTION IN -1 SECTION VIEW; SEE ECO	LSR	<i>[Signature]</i>	6/27/96

DASH NO	FIG	CABLES ACCOMMODATED	A DIM	B FLATS	C HEX	ASSEMBLE PER
-1	1.3	RG-58	.931	.437	.437	TAI-101
-U1		ESSEX 621-715				
-2		RG-59				
-U2		BELDEN 8279				
-2A		AT&T 730A				
-U2A		RG-223				
-2B		RG-55				
-U2B		RG-122				
-3		BELDEN 8218				
-U3		RG-174				
-3A		RG-187				
-U3A		RG-196				
-4		HEWLETT-PACKARD 8120-1107				
-U4		BELDEN 9231				
-5		RG-5				
-5A	RG-6					
-U5A	1.3	RG-303	.931	.437	.437	TAI-101
-5B		BELDEN 8228				
-U5B		275-3991 MICRODOT				
-6		616-569 AMPEX				
-U6		810 RAYCHEM				
-6E		RG-304				
-U6E		9248 BELDEN				
-21		RG-303				
-U21		88281 BELDEN				
-22		RG-180				
-U22		89120 BELDEN				
-31		GRUMMAN GC875GPI				
-U31		RG-187 DBL SHLD				
-34		BELDEN 8228				
-U34		275-3991 MICRODOT				
-36	616-569 AMPEX					
-U36	810 RAYCHEM					
-37	RG-304					
-U37	9248 BELDEN					
-41	9248 BELDEN					
-U41	BRAND-REX B749					
-44	GORE C06C032					
-U44	1	88281 BELDEN	.988	.500	.500	TAI-119
-51		89120 BELDEN				
-52	1.3	89555 BELDEN	.931	.437	.437	TAI-101
-U52		734A, AT&T				
-53		RG-405				
-U53	2	RG-402	.931	.437	.437	TAI-130
-63		RG-402				
-U63						
-086						
-U086						
-141						
-U141						



INCH	MM
.005	0.13
.030	0.76
.096	2.44
.125	3.18
.250	6.35
.312	7.92
.350	8.89
.437	11.10
.500	12.70
.606	15.39
.931	23.65
.988	25.10
1.846	46.89

⚠ IF BEND RELIEF SPRING REQUIRED ADD SUFFIX "BR" TO MODEL NO. (SEE FIG 3) (NOT AVAILABLE WITH CABLE GROUPS -6, -U6, -6E, -U6E, -51, -U51, -52, -U52, -63, -U63 -086, -U086, -141 & -U141)

⚠ FOR CABLE GROUPS -1 & -U1 SUPPLY | EA ACA1
FOR CABLE GROUPS -2 & -U2 SUPPLY | EA ACA2
FOR CABLE GROUPS -5 & -U5 SUPPLY | EA ACA5
MAY BE ASSEMBLED TO CABLE/CONNECTOR ASSY USING 3M SCOTCHGRIP NO. 1099 PLASTIC ADHESIVE. OR EQUIV.

⚠ IF PLASTIC STRAIN RELIEF REQUIRED, ADD SUFFIX "BT" TO MODEL NO. (ONLY AVAILABLE WITH -1, -U1, -2, -U2, -5, -U5)

- ALL DIM ARE IN INCHES
- FINISH: TFS-1A(NICKEL)(TOTAL BUILD-UP .000180-.000450)
- DASH NO DENOTES CABLE GROUP EXCEPT "U" PREFIX DENOTES 75 OHM VERSION
- BNC COAXIAL CABLE PLUG BOTH 50 & 75 OHM VERSIONS

QTY	DESCRIPTION	PART NUMBER	ITEM
	TOL UNLESS SPECIFIED		
12-09	105-1004	1-0204	110-0002
105-0717	105-0870	1-0207	1-0227
305-0541	105-0698	1-0212	105-0944
105-0158	105-0697	1-0215	105-0007
305-0383	105-0659	1-0216	105-0449
305-0187	105-0461	1-0218	105-0394
105-1016	105-0295	1-0220	1-0304

DWG LSR 6-26-96 MATERIAL CODE IDENT DRAWING NO.
 CHK *[Signature]* 6-26-96 14949 1-0369 AE
 ENGR
 APPR *[Signature]* 6/26/96 SCALE 4/1 DATE 10-22-73 SHEET 1C