

Solutions for your temperature control requirements



- Over 200 referenced models
- 1 or 2 inputs, fixed or universal: Pt 100 Ω , all types of thermocouples, current and voltage
- ON-OFF or PID control, self-adapting and fuzzy logic



A

Alarm

Condition or control function that indicates when the process is above or below set-up point.

B

Bandwidth

Symmetrical zone around the setpoint where a proportional control takes place.

C

Cold joint compensation

Device that prevents ambient temperature changes from affecting the cold joint of a thermocouple.

Control algorithm

Method used by the control device to bring the system's temperature back to the setpoint. ON-OFF, Proportional and PID are the most common algorithms.

D

Dead zone

1 – For graphic recorders: minimum change of input signals necessary to generate a deviation of the pen.

2 – For temperature controllers (in °C): temperature zone where heating is interrupted during temperature increase and reactivated when temperature decreases. Zone in which no heating occurs (or no cooling for hot-cold action).

Derivative action (D)

Control function that measures the speed at which the system's temperature increases or decreases, leading to an accelerated mode compensation control. This mode avoids overshoot of setpoint during system set-up and disturbance.

Deviation

Difference between the measurement value and the set-up point value of the setpoint.

Deviation alarm

Deviation value that follows the setpoint. If the set-up point is 350 °C and the deviation alarm value is +20 °C, the alarm value is 350 °C plus 20 °C, in other words 370 °C.

Droop

Difference in temperature between set-up point and the place at which the system's temperature stabilises. Can be corrected by manual or automatic adjustment.

F

Fuzzy logic

Artificial intelligence technique that enables control decisions to be made based on approximate or incomplete information.

Fuzzy logic is a decision-making function likely to prevent an initial overshoot or a deviation from the set-up point.

H

Hysteresis

Change in temperature necessary to change the output power from on to off on an ON-OFF controller.

I

Integral action (I)

Integral function of a control that automatically compensates the difference between the set-up point and the process's actual temperature.

A signal moves the proportional band upwards or downwards to correct the displacement error.

L

Linearity

Difference between an instrument's response and a straight line.

O

ON-OFF action

Controller whose required power is either 0 % or 100 %.

P

Process alarm

Fixed alarm value or independent secondary set-up point of the primary set-up point. If one of the process's values exceeds this value, an alarm condition is stored.

Proportional action (P)

Once the operating temperature has almost reached the set-up point and enters into the proportional band, the output power is requested and turned off according to a predefined cycle. The current change on the load reduces the heat power, thus avoiding temperature overshoot.

Proportional band

Temperature band expressed in degrees within which this function operates.

Proportional-integral-derivative action (PID)

Triple action temperature controller: proportional, integral (automatic reset) and derivative (speed).

R

Ramp

Programmed increase or decrease in temperature that evolves at constant speed.

Range

Zone between two limits in which a measurement or setpoint action takes place. Normally expressed in upper and lower limit values.

Rejection of common mode

An instrument's capacity to cancel the presence of parasitic voltage between the input terminals in relation to earth potential. Expressed in dB (decibels).

Rejection in series mode

An instrument's capacity to cancel the presence of parasitic voltage, usually 50 or 60 Hz, between its input terminals.

Resolution

Difference between two changes in temperature that introduces a change in control power. May be expressed in temperature or in percentage of control scale.

Retransmission output

Analogue power to the scale of the process or the set-up point value.

RS485 output signal

Serial communication port multipoint interface standard. Connection of a digital control to a PC, mainframe computer or printer.

S

Scale

Difference between the upper and lower limits of a range expressed in the same unit.

Self-adjustment

Control used to calculate optimum PID parameters with integrated algorithm software in order to avoid manual adjustment.

Sensor failure safety

Safety function that ensures power is cut off if a thermocouple fails.

Setpoint

Setpoint to obtain or maintain a temperature.

Scale

Difference between the upper and lower limits of a range expressed in the same unit.

4 steps to decide which series most suits your requirements and guide you through over 200 available references.

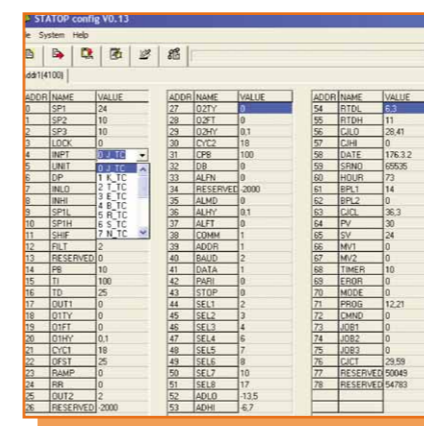
Digital or analogue?

Control mode?

Format?

Type of application?

	Control mode	Formats	Application	Input	Display	Series
Digital	Self-adjusting P.I.D.	24 x 48 mm 48 x 48 mm	General	1 programmable temperature input	1 display	15 Series STATOP
		48 x 96 mm 96 x 96 mm			2 displays	30 Series STATOP
Analogue	ON-OFF	24 x 48 mm 48 x 48 mm 48 x 96 mm 96 x 96 mm	Process	2 temperature and process inputs	2 displays	60 Series STATOP
		48 x 48 mm 96 x 96 mm 96 x 96 mm 96 x 96 mm			None	STATOP 4841 STATOP 9601 STATOP 4
			Simple	1 defined temperature input	1 display	STATOP 9604 STATOP NB



“STATOP Tools” configuration software

Specially designed for STATOP digital controllers, this software allows easy configuration of 15, 30 and 60 series controllers.

- Up to 10 connectable controllers for communication with PC
- Secured protocol (Modbus)
- Configuration of parameters and storage in file format
- Automatic recognition of controller type
- Free download of software from our Pyro-Contrôle website

A product support **technician** is **at your service** and can answer all your questions, and propose the most suitable product for your requirements. Please don't hesitate to contact him.



15 Series STATOP digital controllers

Additional features

Controllers equipped with automatic action adjustment system: auto-adjustment PID control mode. They also include fuzzy logic, which carries out automatic process recovery. These highly efficient instruments combine technicality and user-friendliness and can be used by people with no specific control skills.

- ▶ Control algorithm: PID + fuzzy logic
- ▶ Programmable temperature input: Pt 100 Ω thermocouples and resistance
- ▶ Power: 90...260 V_{AC}
- ▶ Display: 1 x 10,000 points
- ▶ Temperature ramp: 0...480 °C/min
- ▶ Timer: 0...9999 min
- ▶ Control output: reverse current relay, analogue 4...20 mA, 0...10 V or logic 0...5 V



15 Series STATOP	STATOP 24-15	STATOP 48-15
Format	1/32 DIN - 24 x 48 mm	1/16 DIN - 48 x 48 mm
Display	1	1
Useful depth	98 mm	86 mm
Front panel protection	IP 65	IP 30
Dimensions (L x H x W)	50 x 26.5 x 110.5 mm	48 x 46 x 94 mm
Weight	120 g	140 g
Panel cut-outs	45 x 22.2 mm	45 x 45 mm

▶ Programmable temperature input

Type	Scale	Accuracy*	Input impedance
J	-120...+1000 °C	± 2 °C	2.2 MΩ
K	-200...+1370 °C	± 2 °C	2.2 MΩ
T	-250...+400 °C	± 2 °C	2.2 MΩ
E	-100...+900 °C	± 2 °C	2.2 MΩ
B	200...+1820 °C	± 2 °C	2.2 MΩ
R	0...+1767.8 °C	± 2 °C	2.2 MΩ
S	-250...+1300 °C	± 2 °C	2.2 MΩ
N	-250...+1300 °C	± 2 °C	2.2 MΩ
L	-200...+900 °C	± 2 °C	2.2 MΩ
Pt 100 Ω	-210...+700 °C	± 0,4 °C	2.2 kΩ

* Accuracy = linearity error + cold-joint compensation error + load compensation error + offset error

Resolution: 18 bits
 Sampling: 5 times/second
 Sensor failure protection: configurable
 Cold-joint compensation: internal

▶ Control

- Output: hot or cold
- Proportional band: 0...20 °C
- Integral action time: 0...1000 s
- Derivative action time: 0...360 s
- Ramp speed: 0...55.55 °C/min
- Timer: 0.1...4553 min
- ON-OFF action: hysteresis adjustable from 0...11 s
- Modulation pace: 0...90 s

▶ Control outputs

- 2 A / 240 V_{AC} relays on resistive load
- 0-5 V_{DC} logic tension (R limitation = 66 Ω)
- Current analogue: 0...20 mA under 500 Ω max
- Voltage analogue: 0...10 V_{DC} under 10 kΩ min

▶ Alarm

- 2 A/240 V_{AC} relays
- Configurable modes (absolute, deviation,...)
- Adjustable from 0 to 100 % of the scale
- Timer = alarm inhibition

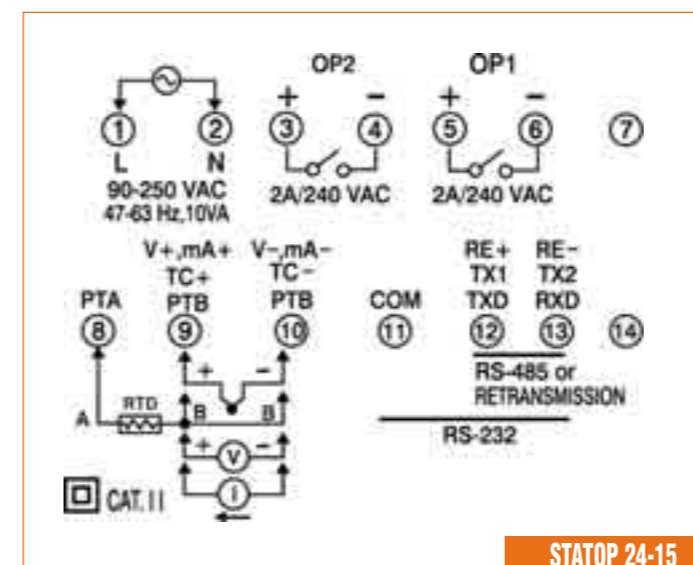
▶ Environmental features

- Operating temperature: -10 °C...+50 °C
- Storage temperature: -40 °C...+60 °C
- Humidity: 0...90 %HR (without condensation)
- Altitude: 2,000 m maximum
- Isolation: 20 MΩ under 500 V_{DC}
- Dielectric rigidity: 2000 V_{AC}, 50/60 Hz during 1 min
- Vibrations: 10...55 Hz, 10 m/s² during 2 hours
- Shock resistance: 200 m/s² (20 g)

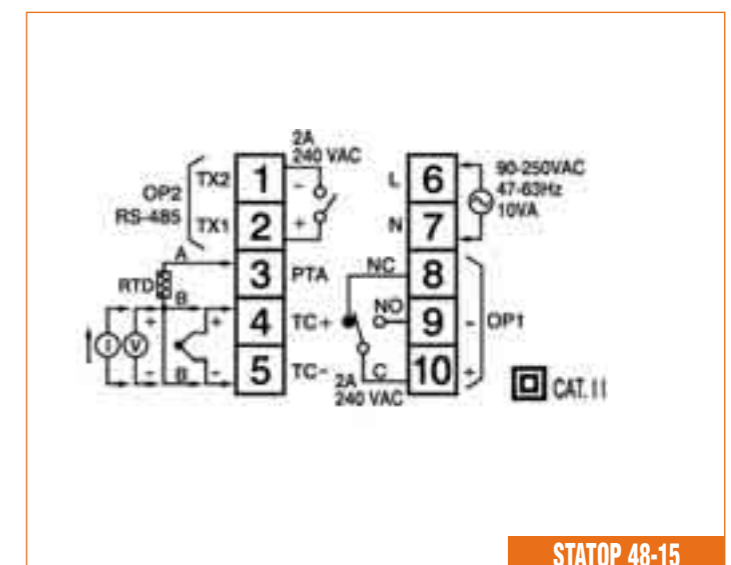
To order

Control output	Alarm	RS485 Communication	STATOP 24-15	STATOP 48-15
Relays	-	-	LR02415-000	LR04815-000
Relays	Relays	yes	LR02415-005	LR04815-001
Logic	Relays	-	LR02415-001	LR04815-001
4...20 mA	Relays	yes	LR02415-006	LR04815-004
0...10 V	Relays	-	LR02415-004	LR04815-004
		yes	LR02415-009	LR04815-002
		-	LR02415-002	LR04815-002
		yes	LR02415-007	LR04815-003
		-	LR02415-003	LR04815-003
		yes	LR02415-008	LR04815-003

▶ Electrical connections



STATOP 24-15



STATOP 48-15

30 Series STATOP digital controllers

Additional features

Controllers equipped with automatic action adjustment system: auto-adjustable PID regulation mode. They also include fuzzy logic, which carries out automatic process recovery. **The 30 series STATOP regulators have 2 simultaneous displays, red for measurement and green for setpoint.**

These highly efficient instruments combine technicality and user-friendliness and can be used by people with no specific control skills.

- Control algorithm: PID + fuzzy logic
- A programmable input temperature: Pt 100 Ω thermocouples and resistance
- Supply: 90...260 VAC
- Display: 2 x 10,000 points
- Temperature ramp: 0...480 °C/min
- Timer: 0...9999 min
- Control output: reverse current relay, analogue 4...20 mA, 0...10 V or logic 0...5 V



30 Series STATOP	STATOP 48-30	STATOP 4896-30	STATOP 96-30
Format	1/16 DIN - 48 x 48 mm	1/8 DIN - 48 x 96 mm	1/4 DIN - 96 x 96 mm
Displays	2	2	2
Useful depth	105 mm	65 mm	53 mm
Front panel protection		IP 50	
Dimensions (L x H x W)	48 x 48 x 116 mm	48 x 96 x 80 mm	96 x 96 x 65 mm
Weight	150 g	210 g	250 g
Panel cut-outs	45 x 45 mm	45 x 92 mm	92 x 92 mm

Programmable temperature input

Type	Scale	Accuracy*	Input impedance
J	-120...+1000 °C	± 2 °C	2.2 MΩ
K	-200...+1370 °C	± 2 °C	2.2 MΩ
T	-250...+400 °C	± 2 °C	2.2 MΩ
E	-100...+900 °C	± 2 °C	2.2 MΩ
B	+200...+1820 °C	± 2 °C	2.2 MΩ
R	0...+1767.8 °C	± 2 °C	2.2 MΩ
S	-250...+1300 °C	± 2 °C	2.2 MΩ
N	-250...+1300 °C	± 2 °C	2.2 MΩ
L	-200...+900 °C	± 2 °C	2.2 MΩ
Pt 100 Ω	-210...+700 °C	± 0.4 °C	1.3 kΩ

* Accuracy = linearity error + cold-joint compensation error + load compensation error + offset error

Resolution: 18 bits
Sampling: 5 times/second
Sensor failure protection: configurable
Cold-joint compensation: internal

Control

- Output n°1: hot or cold
- Output n°2: cold control PID Pb = 50...300 % with dead zone Pb = ± 30 %
- Hot (MV1) and cold (MV2) manual control
- Proportional band: 0...20 °C
- Integral action time: 0...1000 s
- Derivative action time: 0...360 s
- Ramp speed: 0...55.55 °C/min
- Timer: 0.1...4553 min
- ON-OFF action: hysteresis adjustable from 0...11 s
- Modulation pace: 0...90 s
- Safety: if sensor failure occurs, automatic manual start-up

Control outputs

- 2 A/240 VAC relays on resistive load
- 0-5 Vdc logic voltage (R limitation = 66 Ω)
- Current analogue: 4...20 mA under 500 Ω max
- Voltage analogue: 0...10 Vdc under 10 kΩ min

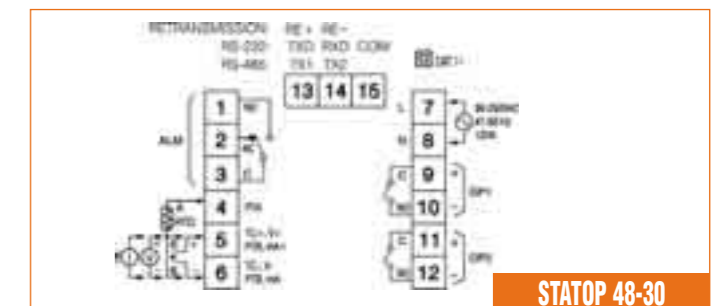
Alarm

- 2 A/240 VAC relays
- Configurable modes (absolute, deviation,...)
- Adjustment from 0 to 100 % of the scale
- Timer

Environmental features

- Operating temperature: -10 °C...+50 °C
- Storage temperature: -40 °C...+60 °C
- Humidity: 0...90 %HR (without condensation)
- Isolation: 20 MΩ under 500 Vdc
- Dielectric rigidity: 2000 Vac, 50/60 Hz during 1 min
- Vibrations: 10...55 Hz, 10 m/s² during 2 hours
- Shock resistance: 200 m/s² (20 g)

Electrical connections



To order

PRODUCTS IN STOCK

Control output	Alarm	RS485 Communication	STATOP 48-30	STATOP 4896-30	STATOP 96-30
Relays	-	-	LR04830-000	LR08630-000	LR09630-000
		yes	LR04830-005	LR08630-005	LR09630-005
Relays	Relays	-	LR04830-001	LR08630-001	LR09630-001
		yes	LR04830-006	LR08630-006	LR09630-006
Logic	Relays	-	LR04830-004	LR08630-004	LR09630-004
		yes	LR04830-009	LR08630-009	LR09630-009
4...20 mA	Relays	-	LR04830-002	LR08630-002	LR09630-002
		yes	LR04830-007	LR08630-007	LR09630-007
0...10 V	Relays	-	LR04830-003	LR08630-003	LR09630-003
		yes	LR04830-008	LR08630-008	LR09630-008

MADE TO MEASURE PRODUCTS

48-30 STATOP, 4896-30 STATOP & 96-30 STATOP

		X	1	X	X	1	X
Supply	90...264 VAC	4					
	11...26 VAC/DC	5					
Output 1	2 A/240 VAC relay output.....	1					
	5 V/30 mA logic.....	2					
	4/10 mA 0/20 mA current analogue.....	3					
	0/10 V voltage analogue	5					
Output 2 or Alarm 2	2 A/240 VAC relays	1					
	5 V/30 mA logic.....	2					
	4/20 mA 0/20 mA current analogue.....	3					
	0/10 V voltage analogue	5					
	20 V/25 mA transmitter supply.....	7					
Transmission	None.....	0					
	RS485.....	1					
	4/20 mA 0/20 mA current retransmission.....	3					
	0/10 V voltage retransmission	5					

EXAMPLE

STATOP 48-30 controller

- supply: 230 VAC
- output 1: logic 5 V
- output 2: 4/10 mA current analogue
- without transmission

=> order STATOP 48-30 . 411310

60 Series STATOP digital controllers

Additional features

Controllers equipped with automatic action adjustment system: auto-adjustable PID regulation mode. They also include fuzzy logic, which carries out automatic process recovery. **The 60 series STATOP controllers are equipped with a second input for piloting control setpoint.**

These highly efficient instruments combine technicality and user-friendliness and can be used by people with no specific control skills.

- ▮ Programmable universal input: multisensor and 0 to 4...20 mA, 0...10 V
- ▮ A programmable process input
- ▮ A logic input
- ▮ Control algorithm: PID + fuzzy logic
- ▮ Supply: 90...260 Vac
- ▮ Displays: 2 x 10,000 points
- ▮ Temperature ramp: 0...480 °C/min
- ▮ Timer: 0...9999 min
- ▮ Control output: reverse current relay, analogue 4...20 mA, 0...10 V or logic 0...5 V
- ▮ Analogue retransmission: 4...20 mA
- ▮ Communication via RS485 connection, ModBus RTU protocol



60 Series STATOP	STATOP 24-60	STATOP 48-60	STATOP 4896-60	STATOP 96-60
Format	1/32 DIN - 24 x 48 mm	1/16 DIN - 48 x 48 mm	1/8 DIN - 48 x 96 mm	1/4 DIN - 96 x 96 mm
Displays	2	2	2	2
Useful depth	98 mm	75 mm	65 mm	53 mm
Front panel protection	IP 65		IP 50	
Dimensions (L x H x W)	50 x 26.5 x 110.5 mm	50.7 x 50.7 x 88.5 mm	48 x 96 x 80 mm	96 x 96 x 65 mm
Weight	120 g	150 g	210 g	250 g
Panel cut-outs	45 x 22.2 mm	45 x 45 mm	45 x 92 mm	92 x 92 mm
Alarm 1 output	Logic		Relays	
Alarm 2 output	Relays (1)		Relays	
Cold control output	Relays (1)		Relays	

To order

PRODUCTS IN STOCK

Main control output	Analogue retransmission 4...20 mA	RS485 Communication	STATOP 24-60	STATOP 48-60	STATOP 4896-60	STATOP 96-60
Relays	-	-	LR02460-001	LR04860-001	LR08660-001	LR09660-001
	yes	yes	LR02460-006	LR04860-006	LR08660-006	LR09660-006
Logic	-	-	LR02460-011	LR04860-011	LR08660-011	LR09660-011
	yes	yes	LR02460-004	LR04860-004	LR08660-004	LR09660-004
4...20 mA	-	-	LR02460-009	LR04860-009	LR08660-009	LR09660-009
	yes	-	LR02460-014	LR04860-014	LR08660-014	LR09660-014
0...10 V	-	-	LR02460-002	LR04860-002	LR08660-002	LR09660-002
	yes	yes	LR02460-007	LR04860-007	LR08660-007	LR09660-007
0...10 V	-	-	LR02460-012	LR04860-012	LR08660-012	LR09660-012
	yes	-	LR02460-003	LR04860-003	LR08660-003	LR09660-003
0...10 V	-	-	LR02460-008	LR04860-008	LR08660-008	LR09660-008
	yes	yes	LR02460-013	LR04860-013	LR08660-013	LR09660-013

(1) One relay only for Alarm 2 or cold control.

▮ Universal input n°1 Configurable type and scale

Type	Scale	Accuracy*	Input impedance
J	-120...+1000 °C	± 2 °C	4.3 MΩ
K	-200...+1370 °C	± 2 °C	4.3 MΩ
T	-250...+400 °C	± 2 °C	4.3 MΩ
E	-100...+900 °C	± 2 °C	4.3 MΩ
B	200...+1820 °C	± 2 °C	4.3 MΩ
R	0...+1767,8 °C	± 2 °C	4.3 MΩ
S	-250...+1300 °C	± 2 °C	4.3 MΩ
N	-250...+1300 °C	± 2 °C	4.3 MΩ
L	-200...+900 °C	± 2 °C	4.3 MΩ
Pt 100 Ω	-210...+700 °C	± 0.1 °C	1.3 kΩ
mV	-8...+70 mV	± 0.01 mV	4.3 MΩ
mA	-3...+27 mA	± 0.005 mA	70.5 MΩ
V	-1.3...+11.5 V	± 0.0015 V	302 kΩ

* Accuracy = linearity error + cold-joint compensation error + load compensation error + offset error

- Cold-joint compensation : 0.1 °C
- Sensor failure protection response : 8 s for TC, Pt 100 Ω and mV
- Maxi line resistance : 100 Ω
- Series mode rejection : 60 dB
- Common mode rejection : 120 dB
- Sampling : 10 times per second

▮ Control

- Proportional band: 0...200 °C
- Integral action time: 0...3600 s
- Derivative action time: 0...1000 s
- Ramp speed: 0...55.55 °C/min
- Timer: 0...9999 minutes count up or down
- ON-OFF action: hysteresis adjustable from 0...11 °C
- Modulation pace: 0...99 s
- Control direction:
 - Forward (cold) or reverse (hot) for channel 1
 - Forward (cold) for channel 2 (or alarm 2)

▮ Logic input

- Logic level Status 0: -10 V...+0.8 V
- Logic level Status 1: 2 V...10 V
- Setpoint or PID commutation, or alarm acknowledgement or presetting of a control output.

▮ Control output

- Relay contact: 2 A/240 Vac on resistive load
- Logic output: 5 V/30 mA (R limitation 66 Ω)
- Current analogue: 0 to 4...20 mA under 500 Ω max
- Voltage analogue: 0...10 V under 10 kΩ mini

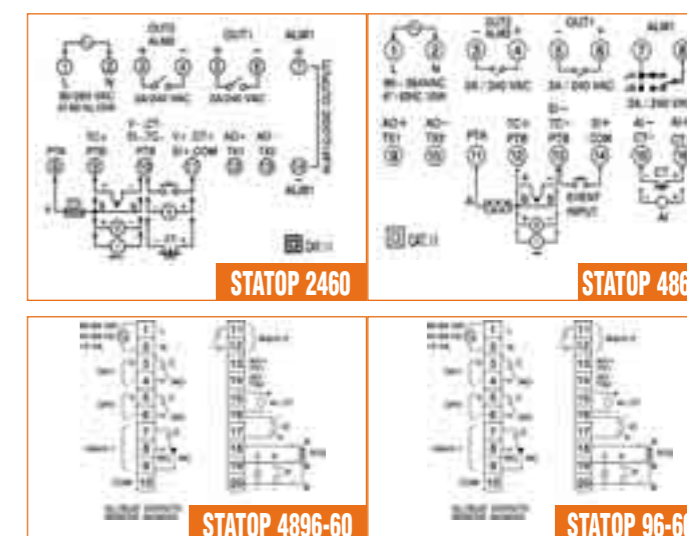
▮ Environmental features

- Operating temperature: -10 °C...+50 °C
- Storage temperature: -40 °C...+60 °C
- Humidity: 0...90 %HR (without condensation)
- Isolation: 20 MΩ under 500 Vdc
- Dielectric rigidity: 2000 Vac, 50/60 Hz during 1min
- Vibrations: 10...55 Hz, 10 m/s² during 2 hours
- Shock resistance: 200 m/s² (20 g)
- Electrical safety: EN 61010-1 (IEC1010-1)
- EMC: EN 61326 & EN 61010-1
- Case: self-extinguishing polycarbonate

▮ Process input n° 2 Configurable type and scale

Type	Scale	Accuracy	Input impedance
mA	-3...+27 mA	± 0.005 mA	4.3 mΩ
V	-1.3...+11.5 V	± 0.0015 V	302 kΩ

▮ Electrical connections



MADE TO MEASURE PRODUCTS

STATOP 24-60 & STATOP 48-60

Supply	90...264 Vac.....	4	X	1	X	X	1	X
	11...26 Vac/Vdc.....	5						
Output 1	Relays 2 A/240 Vac.....	1						
	Logic 5 V/30 mA.....	2						
	Current analogue 4/20 mA 0/20 mA.....	3						
	Voltage analogue 0/10 V.....	5						
Output 2 or Alarm 2	None.....	0						
	2 A/ 240 V Relays.....	1						
	5 V/30 mA logic.....	2						
	Current analogue 4/20 mA 0/20 mA.....	3						
	Voltage analogue 0/10 V.....	5						
	Transmitter power 20 V/25 mA.....	7						
Alarm 1	Relays 2 A/240 V (ST48.60) or Logic (ST24.60).....	1						
Transmission	None.....	0						
	RS485.....	1						
	Current retransmission 4/20 mA 0/20 mA.....	3						
	Voltage retransmission 0/10 V.....	5						

STATOP 4896-60 & STATOP 96-60

Supply	90...264 Vac.....	4	X	1	X	X	X	X	X
	11...26 Vac/Vdc.....	5							
Output 1	Relays 2 A/240 Vac.....	1							
	Logic 5 V/30 mA.....	2							
	Current analogue 4/20 mA 0/20 mA.....	3							
	Voltage analogue 0/10 V.....	5							
Output 2	None.....	0							
	Relays 2 A/240 V.....	1							
	Logic 5V/30 mA.....	2							
	Current analogue 4/20 mA 0/20 mA.....	3							
	Voltage analogue 0/10 V.....	5							
	Transmitter power 20V/25 mA.....	7							
Alarm 1	None.....	0							
	Relays 2 A /240 V.....	1							
Alarm 2	None.....	0							
	Relays 2 A /240 V.....	1							
Transmission	None.....	0							
	RS485.....	1							
	Current retransmission 4/20 mA 0/20 mA.....	3							
	Voltage retransmission 0/10 V.....	5							

STATOP Analogue controllers

Analogue controllers with ON-OFF or Proportional (P) action.
Available in non-display and measurement display versions.

- Temperature input: J, K thermocouple or Pt 100 Ω resistance
- Control direction: forward (cold) or reverse (hot)
- Control algorithm: ON-OFF or P
- Control output: reverse relay

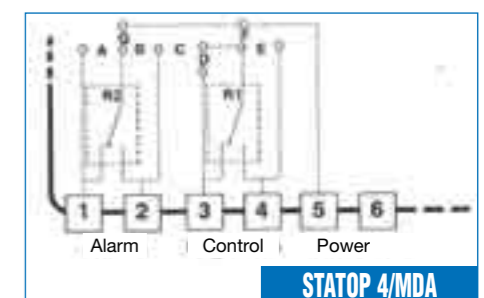
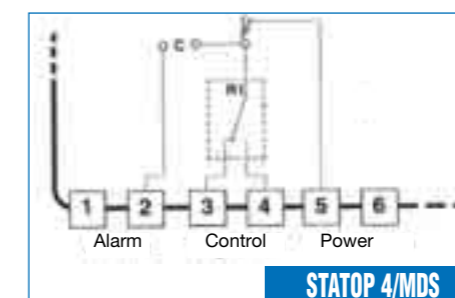
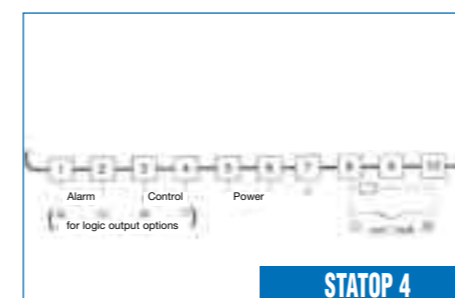
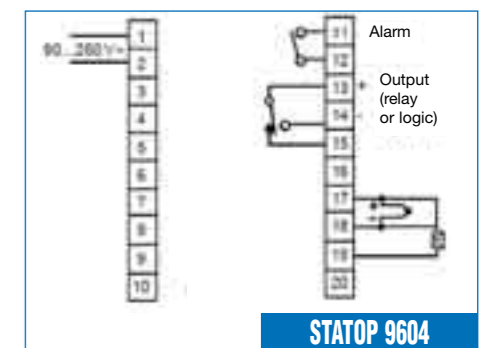
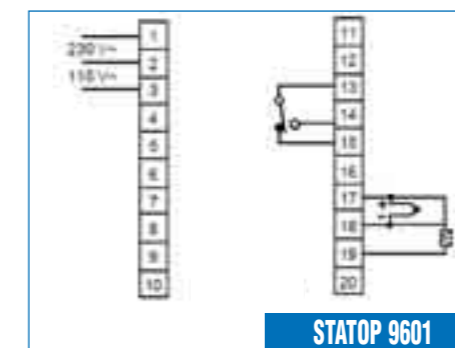
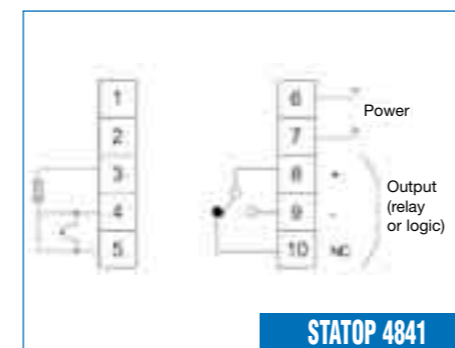


STATOP Series	STATOP 4841	STATOP 9601	STATOP 9604	STATOP 4 / MDS	STATOP 4 / MDA	STATOP NB
Format	1/16 DIN - 48 x 48 mm				1/4 DIN - 96 x 96 mm	
Displays	none	none	2,000-point digital Temperature measured in °C	none	none	1,000-point digital Temperature measured in °C
Useful depth	86 mm	53 mm			113 mm	
Front panel protection		IP 50			IP 40	
Weight	250 g	330 g	280 g	800 g		
Panel cut-out	45 x 45 mm				92 x 92 mm	
Accuracy		2.2 % of scale			1 % of scale	
Hysteresis in on-off		1 % of scale			0.4 to 2 % of scale	
Modulation pace		20 s			8, 12 or 16 s	
Outputs		reverse relay 5 A/240 V _{ac}			reverse relay 3 A/240 V _{ac}	
Control indicator	two-tone "OUT" - red: active output green: inactive output	two-tone "°C" - red: active output green: inactive output	red "OUT": active output	—	—	—
Operating temperature		-10 °C.. +50 °C				
Storage temperature		-40 °C.. +60 °C				
Humidity		0...90 %HR (without condensation)				
Isolation		20 M Ω under 500 V _{dc}				
Dielectric rigidity		2000 V _{ac} , 50/60 Hz during 1 min				
Vibrations		10...55 Hz, 10 m/s ² during 2 hours				
Shock resistance		200 m/s ² (20 g)				

To order

Predefined scale	Alimentation	STATOP 4841	STATOP 9601	STATOP 9604 Alarm output	STATOP 4 / MDS	STATOP 4 / MDA Alarm output	STATOP NB Alarm output
Type J 0-300 °C	115 / 230 V _{ac} 24...230 V _{ac}				P01614001 P01614011	P01614401 P01614511	P01620201 P01620311
Type J 0-400 °C	115 / 230 V _{ac} 24...230 V _{ac} 200...260 V _{ac} 90...260 V _{ac}	LR04841-100	LR09601-100	LR09604-100 LR09604-101	P01614002 P01614012	P01614402 P01614512	
Type K 0-600 °C	115 / 230 V _{ac} 24...230 V _{ac} 90...260 V _{ac}		LR09601-101		P01614022 P01614032	P01614422 P01614532	
Type K 0-800 °C	115 / 230 V _{ac} 24...230 V _{ac} 200...260 V _{ac}	LR04841-101		LR09604-102 LR09604-103	P01614023 P01614033	P01614423 P01614533	
Type K 0-1200 °C	115 / 230 V _{ac} 24...230 V _{ac} 200...260 V _{ac} 90...260 V _{ac}	LR04841-102	LR09601-103		P01614025 P01614035	P01614425 P01614535	
Pt 100 Ω 0-100 °C	115 / 230 V _{ac} 90...260 V _{ac}		LR09601-104	LR09604-106 LR09604-108 LR09604-109			
Pt 100 Ω 0-120 °C	115 / 230 V _{ac}				P01614101	P01614501	
Pt 100 Ω 0-200 °C	200...260 V _{ac}	LR04841-103					
Pt 100 Ω 0-250 °C	115 / 230 V _{ac}		LR09601-105		P01614103	P01614503	
Pt 100 Ω 0-300 °C	115 / 230 V _{ac} 90...260 V _{ac}			LR09604-110 LR09604-101			

Electrical connections



CHAUVIN ARNOUX - Test & Measurement

Hand held, electric and electronic
test and measurement instruments
for field and laboratory

Tel.: +33 1 44 85 44 85

Fax: +33 1 46 27 73 89

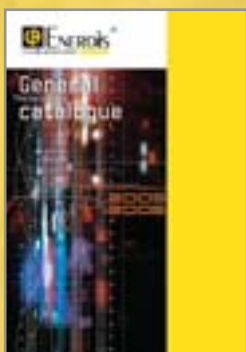


ENERDIS

Systems and equipment
for the measurement, control,
metering and monitoring
of electrical networks

Tel.: +33 1 47 46 78 00

Fax: +33 1 42 53 64 78



MANUMESURE

Calibration, repair, maintenance,
qualification and other services
for industry

Tel.: +33 2 31 64 51 43

Fax: +33 2 31 64 51 09



Pyro-Contrôle

Pyro-Contrôle provides industrial solutions for all the temperature measurement, testing and calibration requirements of the leading process industries in the nuclear, chemicals, metallurgy, glass, plastics, semi-conductors and agri-food sectors.

• Tel: +33 (0)4 72 14 15 55 • Fax: +33 (0)4 72 14 15 41

• e-mail: export@pyro-controle.tm.fr • web: www.pyro-controle.com

Chauvin Arnoux Subsidiaries

Austria

Tel.: +43 1 61 61 9 61

Fax: +43 1 61 61 9 61 61

Email: vie-office@chauvin-arnoux.at

China

Tel.: +86 21 65 21 51 96

Fax: +86 21 65 21 61 07

Email: info@chauvin-arnoux.com.cn

Germany

Tel.: +49 7851 99 260

Fax: +49 7851 99 26 60

Email: info@chauvin-arnoux.de

Italy

Tel.: +39 039 245 75 45

Fax: +39 039 481 561

Email: info@amra-chauvin-arnoux.it

Middle East

Tel.: +961 1 890 425

Fax: +961 1 890 424

E-mail: camie@chauvin-arnoux.com

Scandinavia

Tel.: +46 8 50 52 68 00

Fax: +46 8 50 52 68 10

Email: info@camatsystem.com

Spain

Tel.: +34 93 459 08 11

Fax: +34 93 459 14 43 7

Email: comercial@chauvin-arnoux.es

Switzerland

Tel.: +41 1 727 75 55

Fax: +41 1 727 75 56

E-mail: info@chauvin-arnoux.ch

United Kingdom

Tel.: +44 1 628 788 888

Fax: +44 1 628 28 099

Email: info@chauvin-arnoux.co.uk

U.S.A.

Tel.: +1 508 698 2116

Fax: +1 508 698 2118

Email: sales@aemc.com

Your local distributor

FRANCE

Pyro-Contrôle
244, Av. Franklin Roosevelt
69516 Vaulx-en-Velin Cedex
Tel: +33 4 72 14 15 55
Fax: +33 4 72 14 15 41
export@pyro-controle.tm.fr
www.pyro-controle.com

UNITED KINGDOM

Chauvin Arnoux Ltd
Waldeck House - Waldeck Road
MAIDENHEAD SL6 8BR
Tel: +44 1628 788 888
Fax: +44 1628 628 099
info@chauvin-arnoux.co.uk
www.chauvin-arnoux.co.uk

MIDDLE EAST

Chauvin Arnoux Middle East
P.O. BOX 60-154
1241 2020 JAL EL DIB (BEIRUT)
Tel: +961 1 890 425
Fax: +961 1 890 424
camie@chauvin-arnoux.com
www.chauvin-arnoux.com



**CHAUVIN
ARNOUX**

GROUP