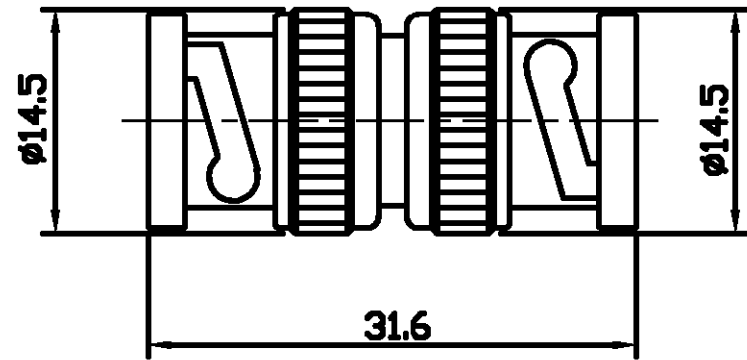


LOC	DIST	REVISIONS					
E	B	P	LTR	DESCRIPTION	DATE	DWN	APVD
		A		RELEASE FOR PRODUCTION	18.12.00	RS	RG



ALL DIMENSIONS ARE NOMINAL. FOR REFERENCE ONLY.

DIE SET PART NUMBER	N/A
HANDTOOL PART NUMBER	N/A
FOR USE ON CABLES	N/A
CONNECTOR PLATING DETAIL	SILVER
CONTACT PLATING DETAIL	SILVER
DIELECTRIC MATERIAL	TEFLON
GASKET MATERIAL	WHITE SILICONE RUBBER

BAG	SINGLE ITEM	1-1478043-0
PACK TYPE	DESCRIPTION	PART NUMBER

THIS DRAWING IS A CONTROLLED DOCUMENT.		DWN	R SMITH	18.12.00	Tyco Electronics Corporation Stanmore, Middlesex, HA7 4RS				
DIMENSIONS: MM		CHK	R GOODALL	18.12.00					
TOLERANCES UNLESS OTHERWISE SPECIFIED: 0 PLC ± - 1 PLC ± - 2 PLC ± - 3 PLC ± - 4 PLC ± - ANGLES ± -		APVD	R GOODALL	18.12.00					
		PRODUCT SPEC	108-3435						
MATERIAL	FINISH	APPLICATION SPEC	-		NAME	BNC STRAIGHT ADAPTOR P-P 75 OHM			
-	-	WEIGHT	-		SIZE	A3	CAGE CODE	00779	
CUSTOMER DRAWING				SCALE	NTS	DRAWING NO	C-1478043		
				SHEET	1	OF	1	REV	A