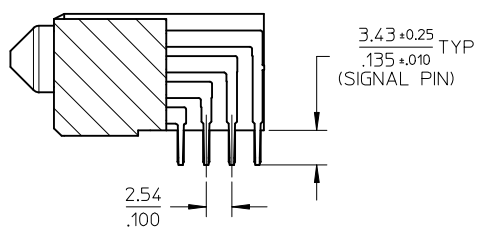
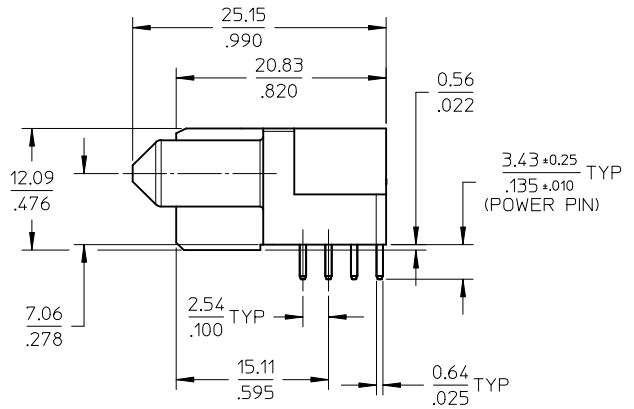
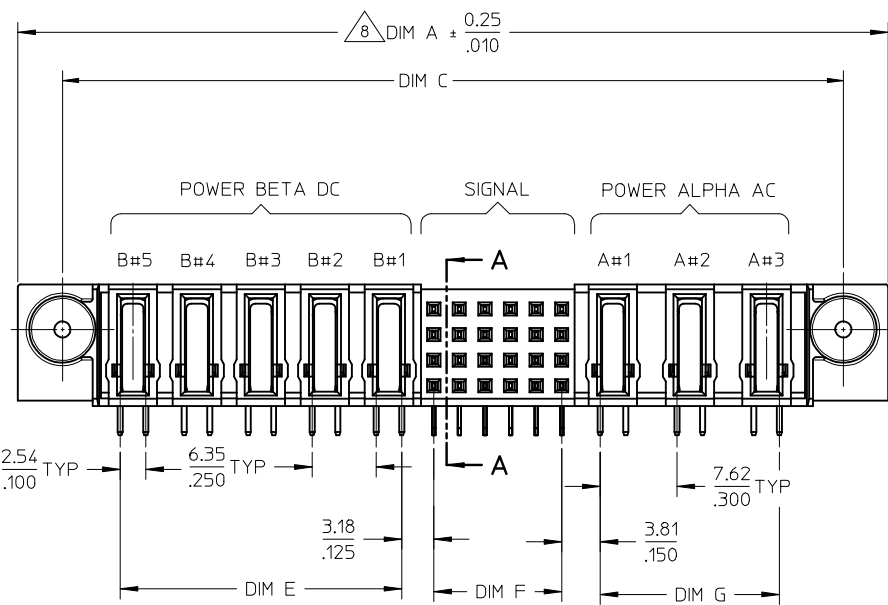
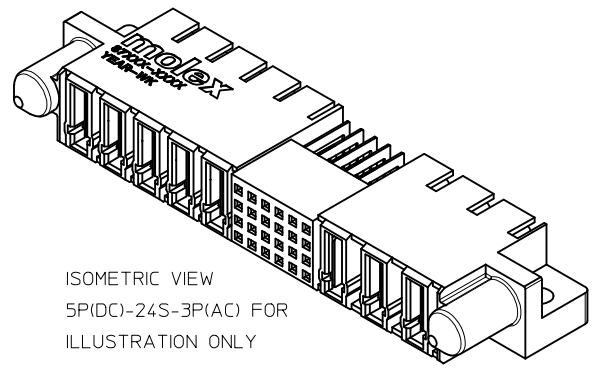
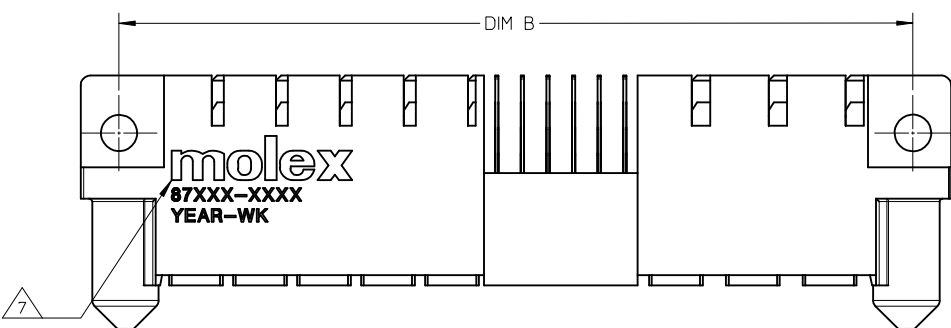


10 9 8 7 6 5 4 3 2 1



SECTION A-A

CORRECT PCB HOLE SIZE	EC NO: S2009-0841	2009/05/06	QUALITY SYMBOLS
	DRWN:SKANG	2009/05/08	
	CHKD:ATSEE	2009/05/11	
	APPR:MLONG	2009/05/11	
REV	DESCRIPTION		▽=0
C1			∠=0

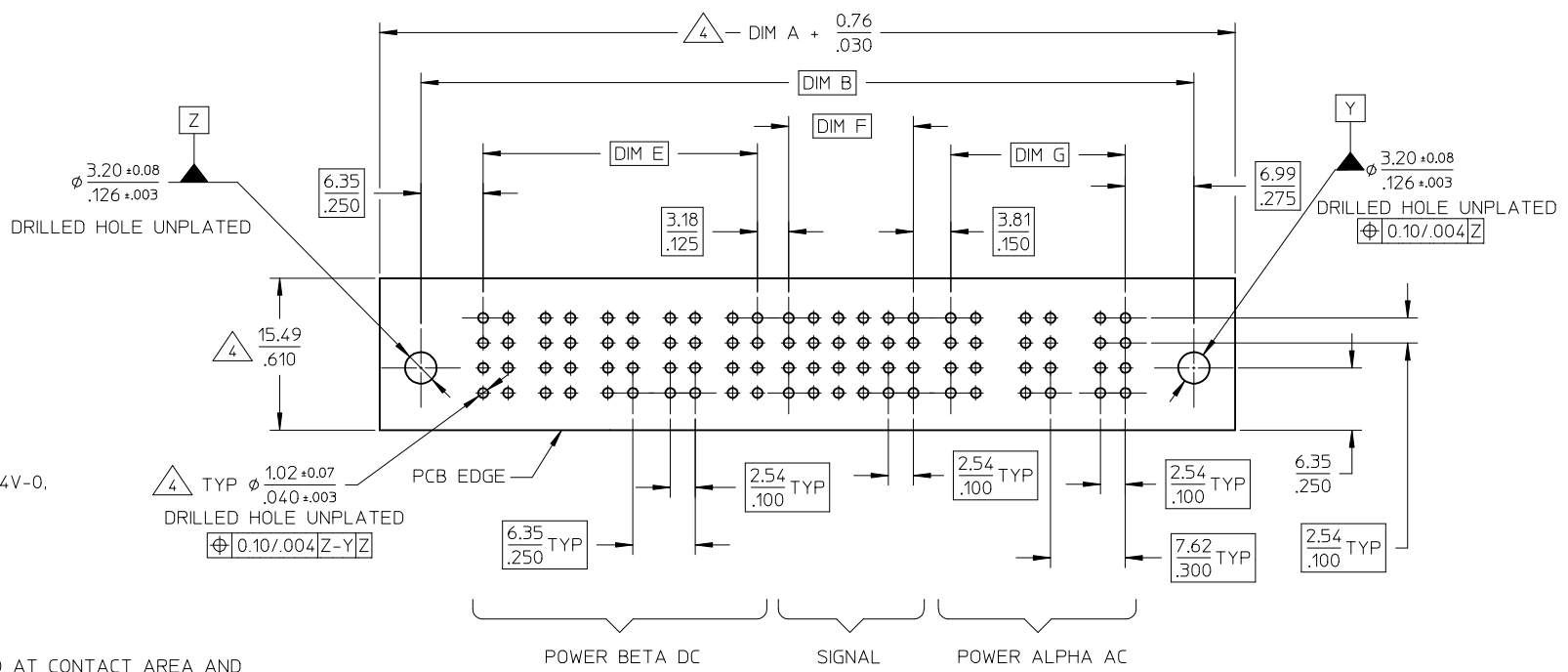
GENERAL TOLERANCES (UNLESS SPECIFIED)	mm	INCH
	4 PLACES ± ---	± ---
DRAFT WHERE APPLICABLE MUST REMAIN WITHIN DIMENSIONS	3 PLACES ± ---	± .005
	2 PLACES ± 0.13	± .010
	1 PLACE ± 0.25	± ---
	ANGULAR ± 3 °	

DIMENSION STYLE		SCALE	DESIGN UNITS	THIRD ANGLE PROJECTION
MM/IN		NTS	METRIC	
DRAWN BY	DATE	TITLE		
NRVIT TAP	2004/06/15	AC/DC POWER RECEPTACLE		
CHECKED BY	DATE	P(A)AC-S-P(B)DC CONFIG.		
PTL IM	2004/06/25	R/A, T/H, S/M		
APPROVED BY	DATE	MOLEX INCORPORATED		
SKTOH	2004/06/29	MOLEX INCORPORATED		
MATERIAL NO.	DOCUMENT NO.	SHEET NO.		
SEE TABLE	SD-87664-021	1 OF 2		

MATERIAL NO.		DOCUMENT NO.	SHEET NO.
SEE TABLE		SD-87664-021	1 OF 2
THIS DRAWING CONTAINS INFORMATION THAT IS PROPRIETARY TO MOLEX INCORPORATED AND SHOULD NOT BE USED WITHOUT WRITTEN PERMISSION			

9 8 7 6 5 4 3 2 1

	10	9	8	7	6	5	4	3	2	1			
	P-S-P CONFIGURATION												
	PART NUMBER	POWER BETA DC	SIGNAL	POWER ALPHA AC	DIM A	DIM B	DIM C	DIM D	DIM E	DIM F	DIM G	RECESSED POWER PIN LOCATION	PACKAGING
F	87664-2004	4	24	3	$\frac{80.01}{3.150}$	$\frac{72.39}{2.850}$	$\frac{71.12}{2.800}$	$\frac{56.52}{2.225}$	$\frac{21.59}{0.850}$	$\frac{12.70}{.500}$	$\frac{17.78}{.700}$	A 2, 3 B -----	TRAY



- NOTES:
- MATERIALS:-
HOUSING - LCP, GLASS FILLED, UL94V-0,
COLOUR: BLACK.
SIGNAL TERMINAL - COPPER ALLOY
POWER TERMINAL - COPPER ALLOY
 - FINISH :-
SIGNAL & POWER CONTACTS
0.76 MICROMETER MINIMUM GOLD (Au) AT CONTACT AREA AND
2.54 MICROMETER MINIMUM TIN AT SOLDER TAIL AREA
OVER 1.27 MICROMETER MINIMUM NICKEL (Ni) UNDERPLATE.
 - PRODUCT SPECIFICATION : PS-87663-006.

- COMPONENT STAY AWAY FROM CONNECTOR.
- PCB NOTE FOR DIAMETER 1.02/.040 PLATED HOLE.
- DRILLED HOLE SIZE IS 1.15/ .0453.
- PLATE WITH 0.007 / .0003 MINIMUM TIN OVER 0.03/.001
TO 0.08/.003 COPPER PLATING TO ACHIEVE 1.02+0.07/.040±.003 HOLE.
- ALL TERMINAL TIPS ARE DESIGNED WITH EXPOSE BASE COPPER.
THIS IS CREATED BY FINAL CUTTING PROCESS AFTER PLATING.
MANUFACTURING LOGO, PART NUMBER AND YEAR-WEEK CODE.
5P(DC)-24S-3P(AC) IS SHOWN FOR ILLUSTRATION.
CONNECTOR CONFIGURATION IS AVAILABLE UP TO 203MM/8INCH.
PLEASE CONTACT MOLEX SALES PERSONNEL FOR OTHER
CONFIGURATION AND OPTION NEEDED.

RECOMMENDED PCB LAYOUT

CORRECT PCB HOLE SIZE EC NO: S2009-0841 DRWN:SKANG 2009/05/06 CHKD:ATSEE 2009/05/08 APPR:MLONG 2009/05/11	QUALITY SYMBOLS ▽=0 ∇=0	GENERAL TOLERANCES (UNLESS SPECIFIED)		DIMENSION STYLE MM/IN		SCALE NTS	DESIGN UNITS METRIC	THIRD ANGLE PROJECTION	
			mm	INCH	DRAWN BY NRVITTP	DATE 2004/06/15	TITLE AC/DC POWER RECEPTACLE P(A)AC-S-P(B)DC CONFIG. R/A, T/H, S/M		
		4 PLACES	± ---	± ---	CHECKED BY PTL IM	DATE 2004/06/25	MOLEX INCORPORATED		
		3 PLACES	± ---	± .005	APPROVED BY SKTOH	DATE 2004/06/29	DOCUMENT NO. SD-87664-021		
			2 PLACES	± 0.13	± .010	SHEET NO. 2 OF 2			
			1 PLACE	± 0.25	± ---	THIS DRAWING CONTAINS INFORMATION THAT IS PROPRIETARY TO MOLEX INCORPORATED AND SHOULD NOT BE USED WITHOUT WRITTEN PERMISSION			
			ANGULAR ± 3 °						
			DRAFT WHERE APPLICABLE MUST REMAIN WITHIN DIMENSIONS						