

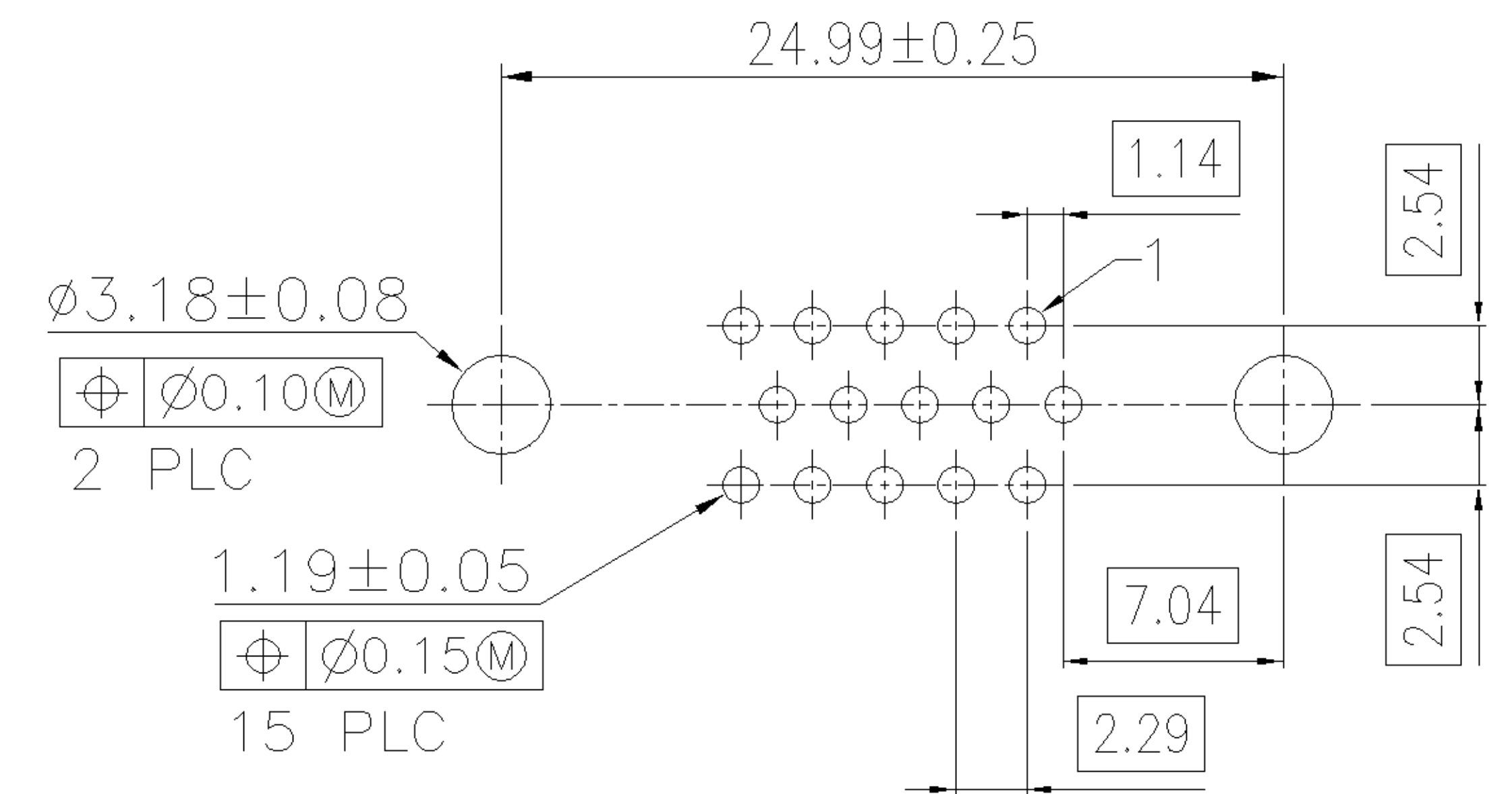
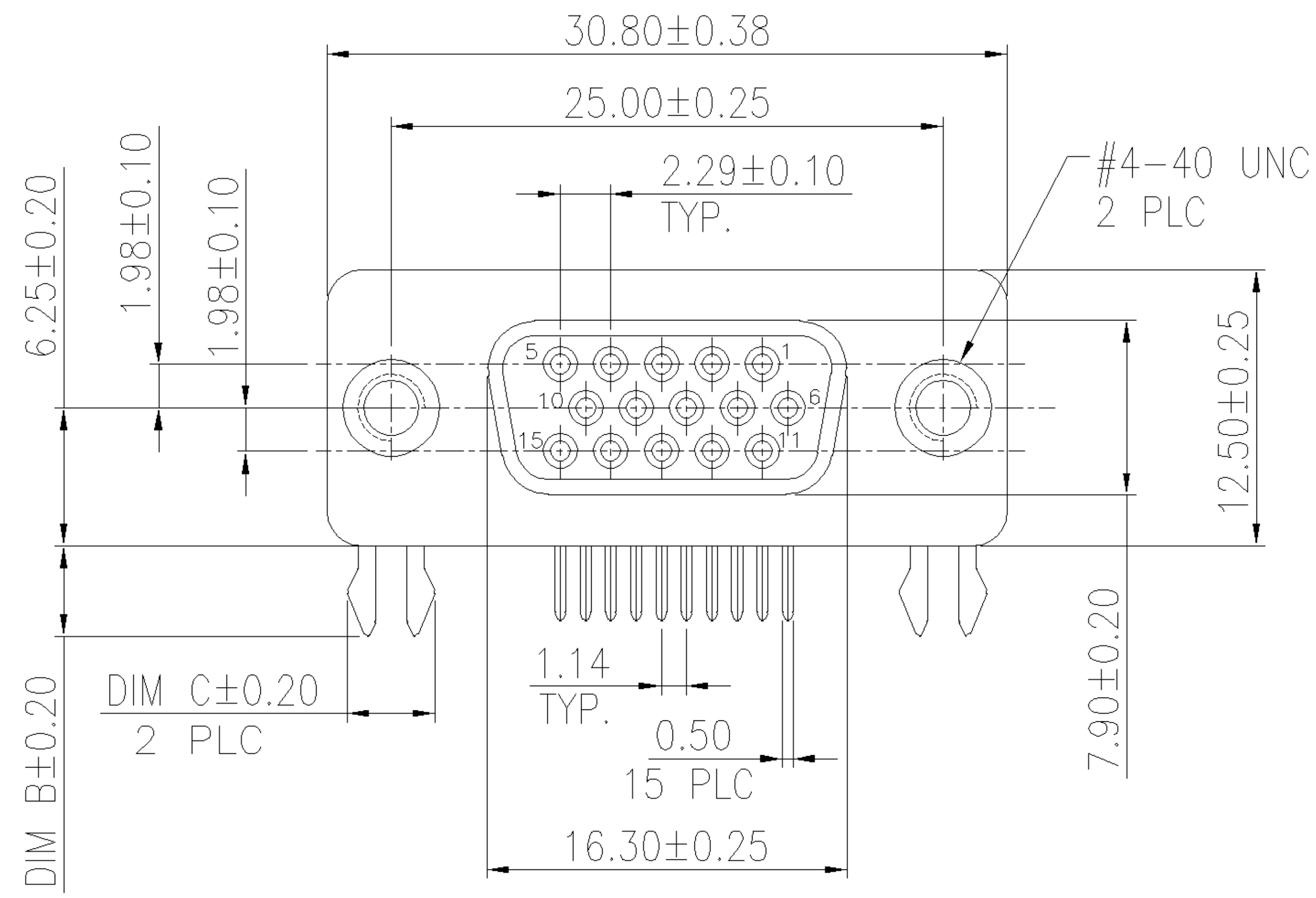
NUMBER  
C-1734530

3RD ANGLE PROJECTION

METRIC

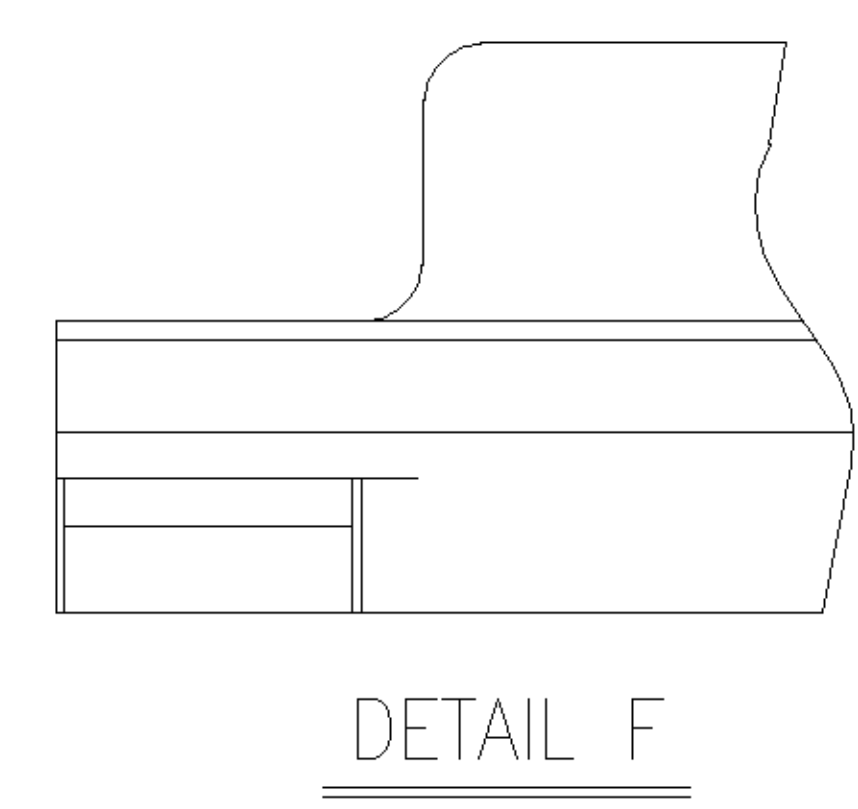
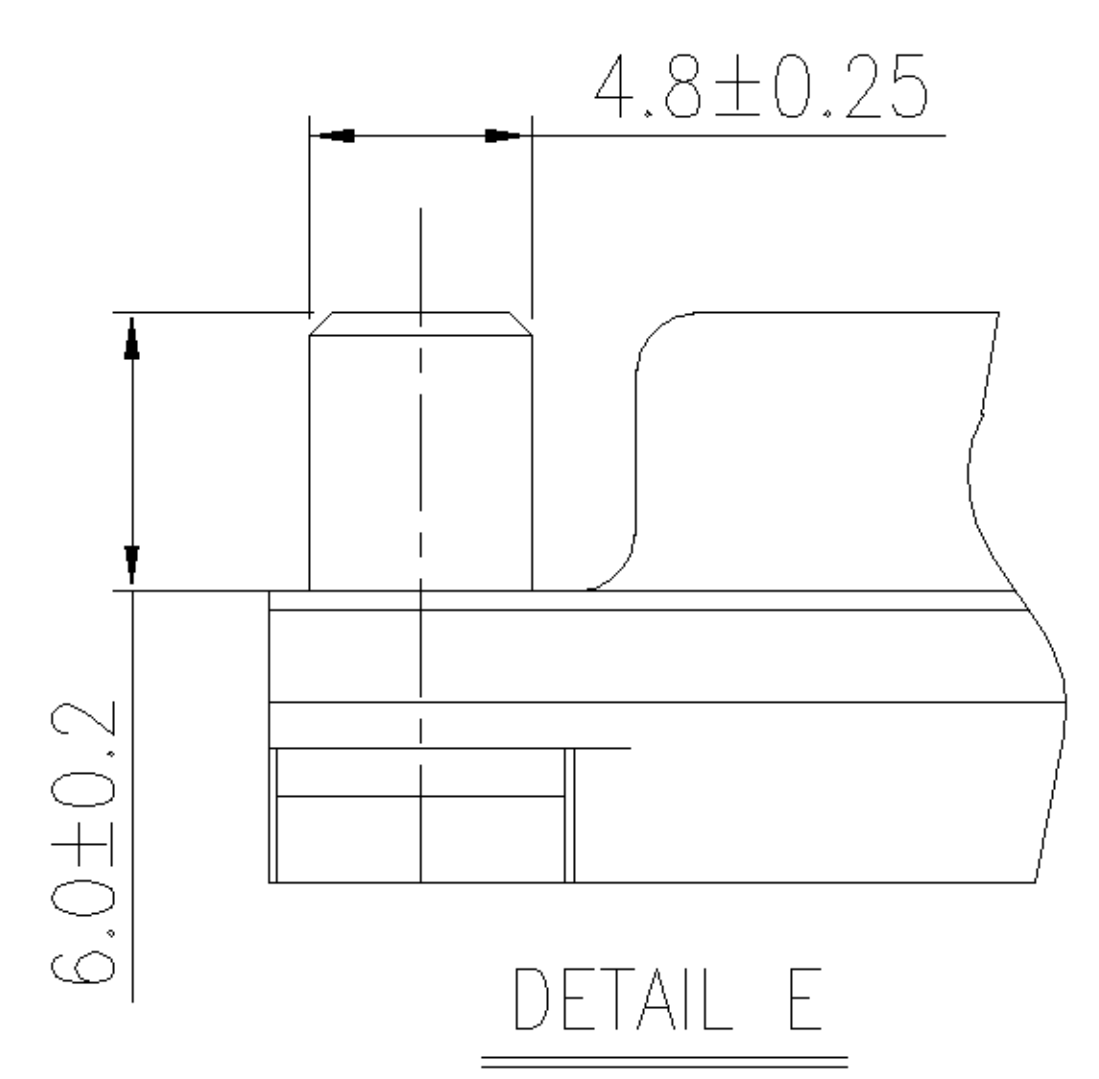
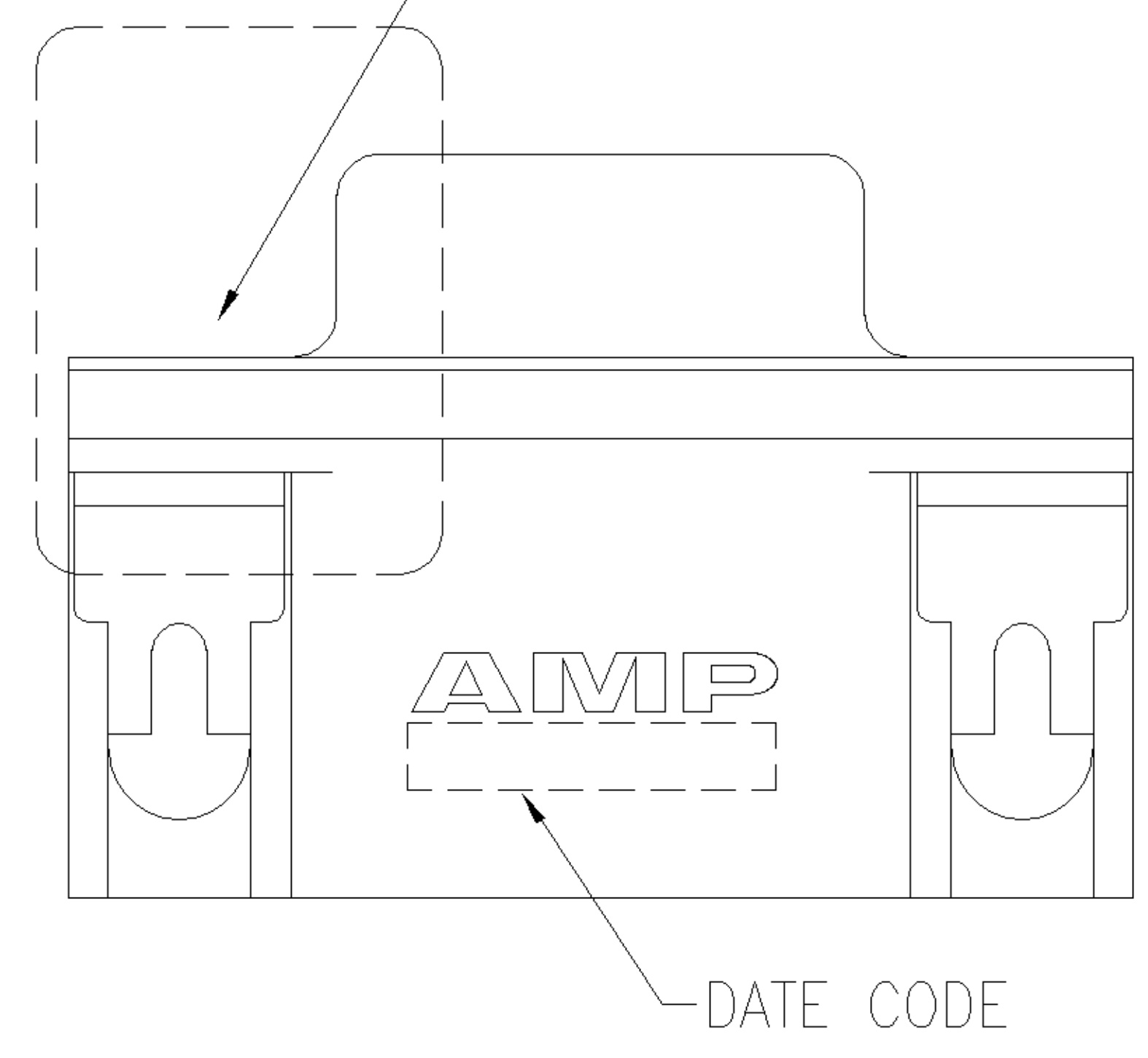
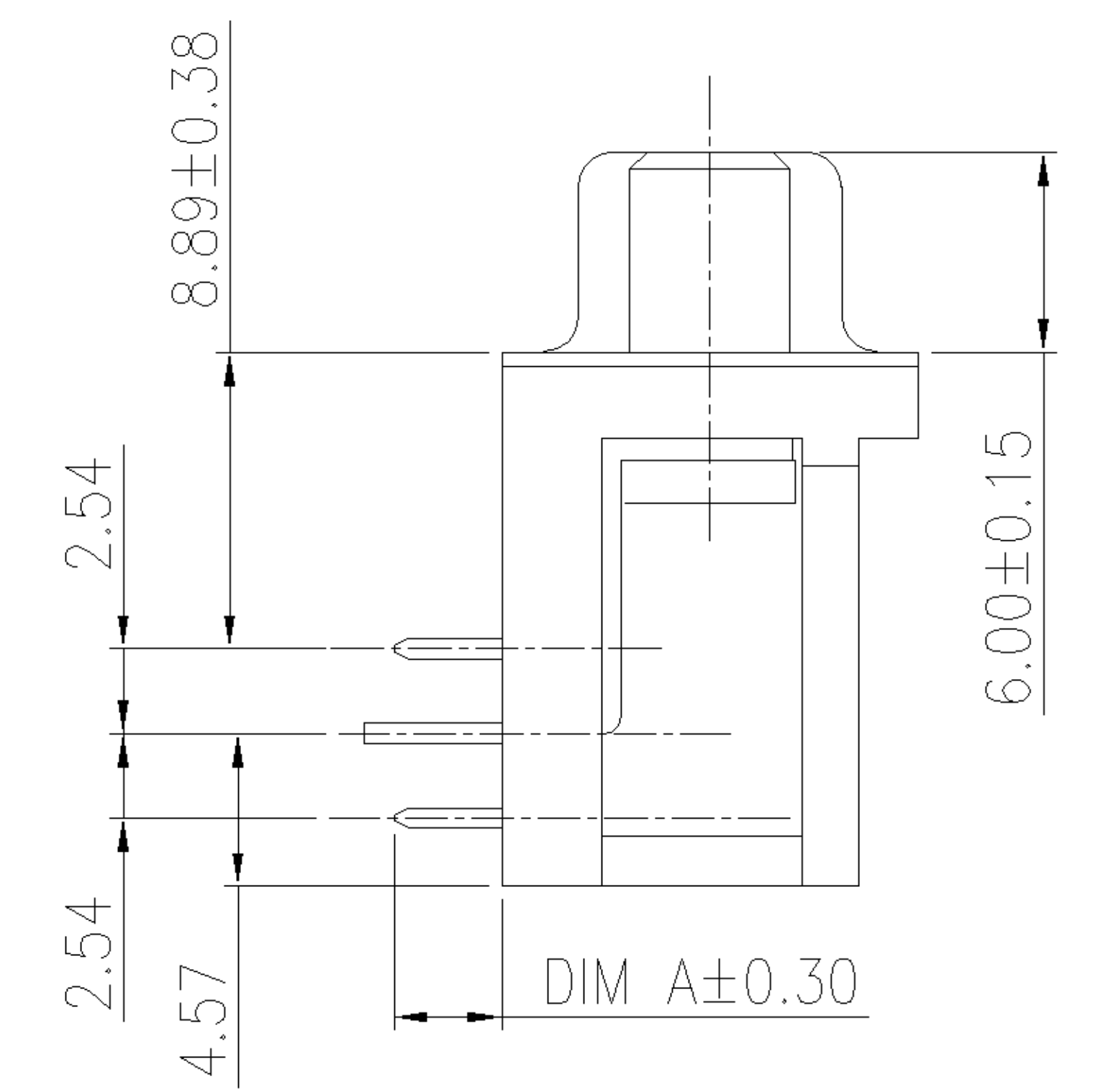
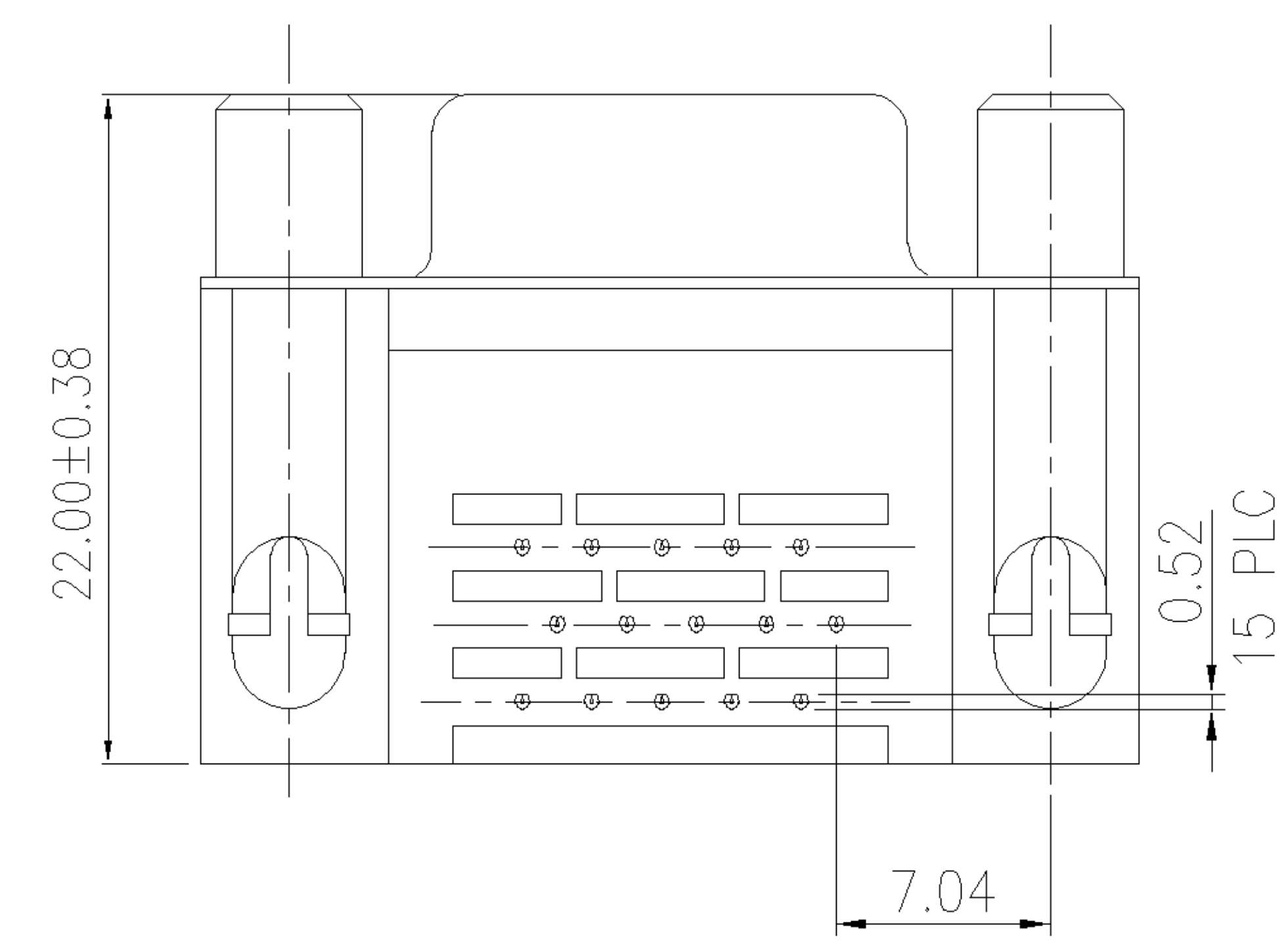
THIS INFORMATION IS CONFIDENTIAL AND IS DISCLOSED TO YOU ON CONDITION THAT NO FURTHER DISCLOSURE IS MADE BY YOU TO OTHER THAN AMP PERSONNEL WITHOUT WRITTEN AUTHORIZATION FROM AMP (TAIWAN) LTD. DIMENSIONS IN MILLIMETERS. DO NOT SCALE PRINT.

PRINT  
DW



RECOMMENDED P.C. BOARD LAYOUT

SEE TABLE FOR MOUNTING FLANGE CONFIGURATION



NOTES:

- MATERIAL:
  - HOUSING: THERMOPLASTIC(NY9T), UL 94V-0 RATED,BLACK
  - CONTACTS: PHOPHOR BRONZE
  - SHELL: SPCC
  - BOARDLOCKS: BRASS
  - RIVET: BRASS
  - SCREWLOCK: BRASS
- FINISH:
  - CONTACT:
    - GOLD PLATING ON CONTACT AREA. (SEE TABLE)
    - 2.54um[100u"] MIN. MATTE TIN PLATING ON SOLDER TAIL AREA,
    - 1.27um[50u"] MIN. NICKEL UNDERPLATING OVERALL,
  - BOARDLOCK:
    - 2.54um[100u"] MIN MATTE TIN PLATING
    - 1.27um[50u"] MIN NICKEL UNDERPLATING OVERALL,
  - SHELL: NICKEL PLATED
  - RIVET: NICKEL PLATING 0.76um[30u"] OVERALL.
  - FIXED SCREWLOCK: NICKEL PLATING 0.76um[30u"], MEETS 6 IN-LB TORQUE.
- RECOMMENDED PCB THICKNESS: 1.6 mm
- REFLOW SOLDER CAPABLE TO 260°C PER TYCO SPEC. 109-201, CONDITION B.
- NET WEIGHT: 10.24 g/pcs. (WITH SCREWLOCK)  
8.24 g/pcs. (W/O SCREWLOCK)
- BOARDLOCK INSERTION FORCE: 1.5±0.5 Kgf [15±5 N]. FOR 5-1734530-3 & 6-1734530-3 ONLY.

TAPE&REEL	DETAIL F	W/	3.78	3.20	3.18	30 μ"	6-1734530-3
TAPE&REEL	DETAIL E	W/	3.78	3.20	3.18	30 μ"	5-1734530-3
TRAY	DETAIL F	W/O	4.00	4.10	3.18	30 μ"	3-1734530-3
TUBE	DETAIL F	W/	4.00	4.10	3.18	30 μ"	2-1734530-3
TUBE	DETAIL F	W/	4.00	4.10	3.18	15 μ"	2-1734530-2
TUBE	DETAIL F	W/	4.00	4.10	3.18	G/F	2-1734530-1
TRAY	DETAIL F	W/	4.00	4.10	2.16	30 μ"	1-1734530-6
TRAY	DETAIL F	W/	4.00	4.10	2.16	15 μ"	1-1734530-5
TRAY	DETAIL F	W/	4.00	4.10	2.16	G/F	1-1734530-4
TRAY	DETAIL F	W/	4.00	4.10	3.18	30 μ"	1-1734530-3
TRAY	DETAIL F	W/	4.00	4.10	3.18	15 μ"	1-1734530-2
TRAY	DETAIL F	W/	4.00	4.10	3.18	G/F	1-1734530-1
TRAY	DETAIL E	W/	4.00	4.10	2.16	30 μ"	1734530-6
TRAY	DETAIL E	W/	4.00	4.10	2.16	15 μ"	1734530-5
TRAY	DETAIL E	W/	4.00	4.10	2.16	G/F	1734530-4
TRAY	DETAIL E	W/	4.00	4.10	3.18	30 μ"	1734530-3
TRAY	DETAIL E	W/	4.00	4.10	3.18	15 μ"	1734530-2
TRAY	DETAIL E	W/	4.00	4.10	3.18	G/F	1734530-1
PACKAGING	MOUNTING FLANGE CONFIGURATION	BOARDLOCK OPTION	DIM C	DIM B	DIM A	Gold Finish	PART NO.

TOLERANCES UNLESS OTHERWISE SPECIFIED:  
 0 PLC ±0.5  
 1 PLC ±0.2  
 2 PLC ±0.1  
 3 PLC ±0.05  
 ANGLES ±3°

MATERIAL: SEE NOTE

FINISH: SEE NOTE

DWN J. LEE 27-APR-2006  
 CHK S. HOU 27-APR-2006  
 APVD W.J. KE 27-APR-2006  
 PRODUCT SPEC 108-57541  
 APPLICATION SPEC 501-57623  
 WEIGHT

**tyco** TYCO HOLDINGS (BERMUDA) VII LTD. TAIWAN BRANCH  
**Electronics**  
 NAME: RECEPTACLE ASSY, SIZE 1, 15 POSITION, RIGHT ANGLE, THROUGH HOLE  
 LOC DW A<sub>3</sub> SIZE C-1734530 DRAWING NO C-1734530 REV A  
 SCALE -- SHEET 1 OF 4

A	REVISION	ECR-06-007034	JL SH	27-APR-2006
O	NEW RELEASED	--	JL SH	22-AUG-2005
LTR	REVISION RECORD	ECN	DWN CHK	DATE