

THIS DRAWING IS UNPUBLISHED
VERTRAULICHE UNVERÖFFENTLICHE ZEICHNUNG

RELEASE FOR PUBLIKATION
FREI FUER VERÖFFENTLICHUNG

MATED WITH:
PASSEND ZU:

LOC
AI

DIST
-

REVISIONS
ÄNDERUNGEN

© COPYRIGHT 2000

BY AMP INCORPORATED

ALL RIGHTS RESERVED
ALLE RECHTE VORBEHALTEN

1102075

P
B1

LTR

DESCRIPTION
BESCHREIBUNG

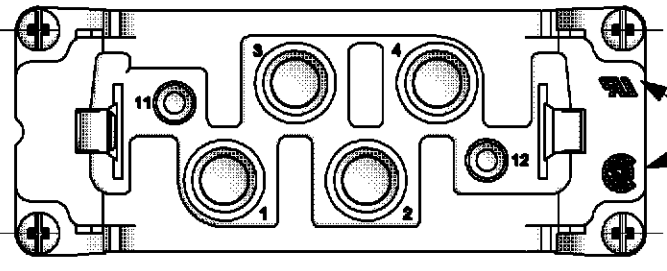
DATE

DWN

APVD

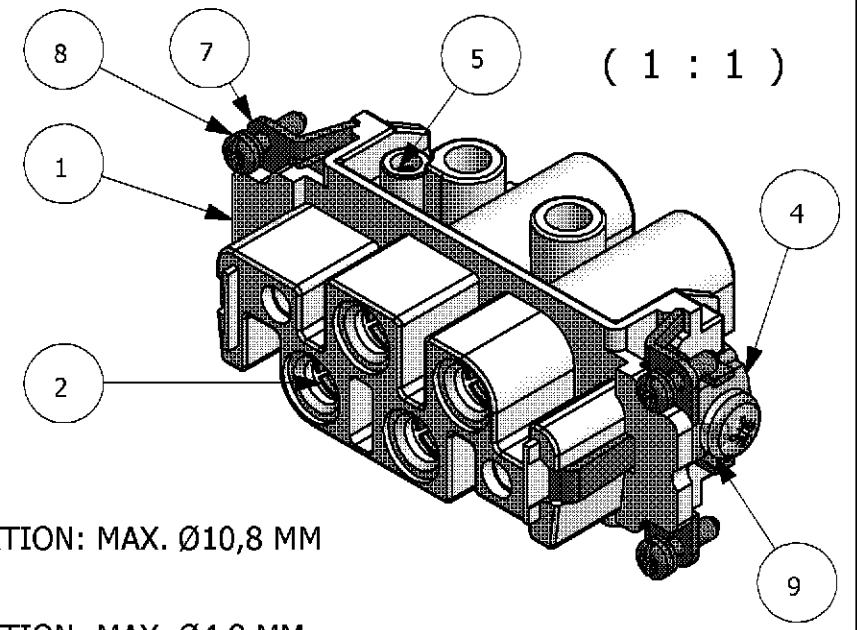
CONTACT ARRANGEMENT
VIEW FROM CONECTING SIDE

A (2:1)



HMX.4/2.BU.S
0-1102076-1
16A 400V 6KV 3
80A 690V 6KV 3

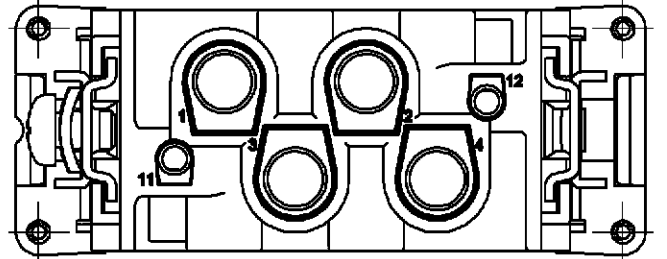
0-1 AS SHOWN
ORDERING TEXT: HMX.4/2.BU.S



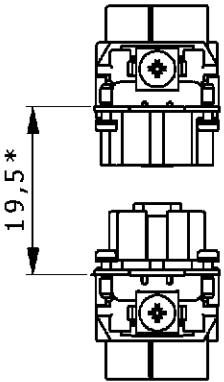
NOTES

- 1 POWER CONTACT: 1 TO 4
OUTER DIMENSIONS OF INSULATION: MAX. Ø10,8 MM
- 2 SIGNAL CONTACT: 11 AND 12
OUTER DIMENSIONS OF INSULATION: MAX. Ø4,8 MM
- 3 GROUNDING CONTACT
- 4 SUITABLE HOOD SIZE 6: SERIES HB; HD; EMV AND HIP
- 5 STANDARDS:
DIN EN 61984; DIN EN 60664-1
- 6 UL; CSA AUTHORISATION
- 7 PACKAGING:
5 PIECES IN A CARTON

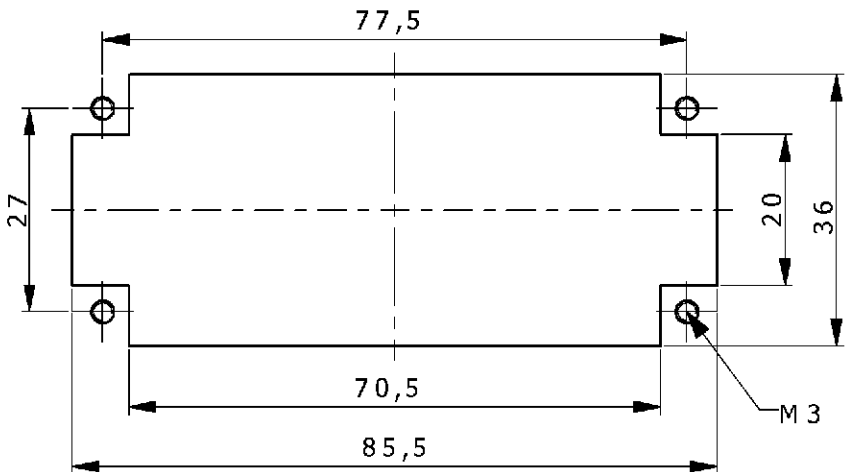
CONTACT ARRANGEMENT
VIEW FROM TERMINATION SIDE



* DISTANCE FOR GUARANTEED
CONTACT MAX. 21 mm



PANET CUT-OUT CONTACT INSERT
WHEN USED WITHOUT HOUSING



QTY.	DESCRIPTION	MATERIAL	SURFACE	COLOR	NOTE	ITEM
1	SCREW	STEEL	NICKEL PLATED	BLUE	DIN EN ISO 1207-M5X8	9
4	FIXING SCREW	STEEL	NICKEL PLATED	BLUE	M3X10,5	8
2	SOCKET GROUNDING CONTACT	BRASS	NICKEL PLATED	BLUE	-	7
4	THREAD PIN	STEEL	NICKEL PLATED	BLUE	-	6
2	CONTACT SCREW	STEEL	NICKEL PLATED	BLUE	M3X5,7	5
1	CLAMP TAB	STEEL	NICKEL PLATED	BLUE	---	4
2	SOCKET CONTACT	BRASS	SILVER PLATED	BLUE	-	3
4	SOCKET CONTACT	BRASS	SILVER PLATED	BLUE	-	2
1	FEMALE INSERT	PBT-GF30	-	LIGHT GREY	-	1

<p>THIS DRAWING IS A CONTROLLED DOCUMENT FOR AMP INCORPORATED. IT IS SUBJECT TO CHANGE AND THE CONTROLLING ENGINEERING ORGANIZATION SHOULD BE CONTACTED FOR THE LATEST REVISION. DIESES ZEICHNUNGSDOKUMENT WIRD DURCH AMP INCORPORATED KONTROLLIERT. ÄNDERUNGEN, DIE DEM TECHNISCHEN FORTSCHRITT DIENEN, SIND VORBEHALTEN. DEM JEWEILS LETZTGÜLTIGEN ÄNDERUNGSSTAND ERFAHREN SIE AUF ANFRAGE.</p>		<p>DWN 12.07.2005 SCHNEIDER</p> <p>CHK 12.07.2005 SCHNURPFEL</p>	<p>APVD</p> <p>PRODUCT SPEC. PRODUKTSPEZ. 108-74058</p> <p>APPLICATION SPEC. VERARBEITUNGSSPEZ. 114-74058</p> <p>WEIGHT GEWICHT 0,126 KG</p>	<p>NAME FEMALE INSERT HMX.4/2.BU.S</p> <p>SIZE A3</p> <p>CAGE CODE 00779</p> <p>DRAWING NO. ZEICHNUNGS-NR. 1102076</p> <p>RESTRICTED TO NUR FUER</p>
<p>DIMENSIONS: DIMENSIONEN: mm</p> <p>TOLERANCES UNLESS OTHER WISE SPECIFIED: ALLGEMEINTOLERANZEN</p> <p>n. ISO 8013 - n. ISO 2768 - mH-E n. DIN 16901- 140</p> <p>0 PLC # 1 PLC # 2 PLC # 3 PLC # ANGLES / WINKEL #</p>	<p>MATERIAL</p> <p>FINISH / OBERFLAECHE / FARBE</p>	<p>CUSTOMER DRAWING / KUNDENZEICHNUNG</p> <p>SCALE MASSSTAB 1:1</p> <p>SHEET BLATT 1</p> <p>OF VON 1</p> <p>REV. B1</p>		