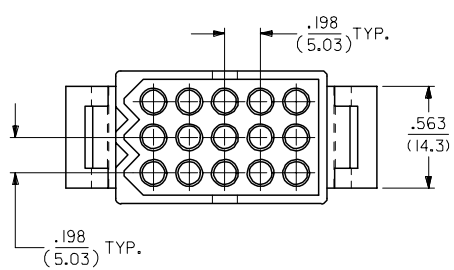
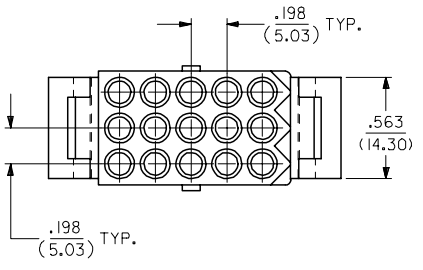
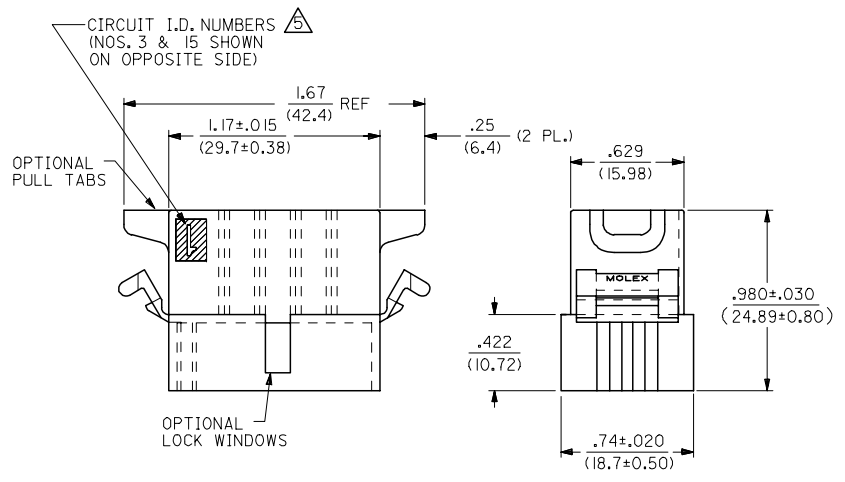
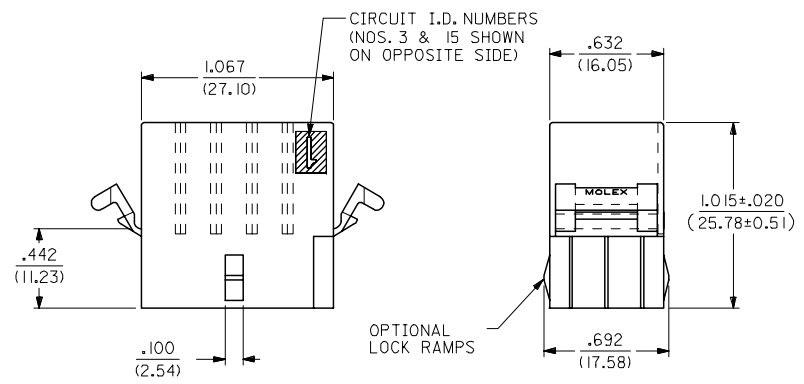
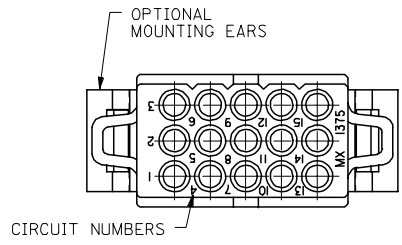
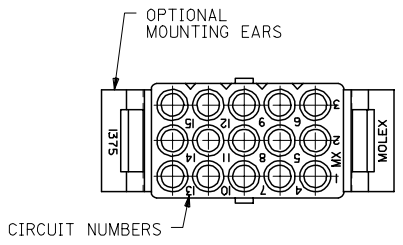


13 12 11 10 9 8 7 6 5 4 3 2 1

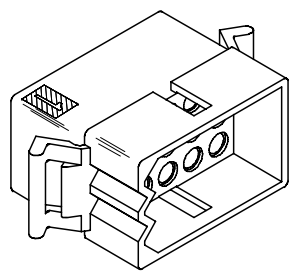
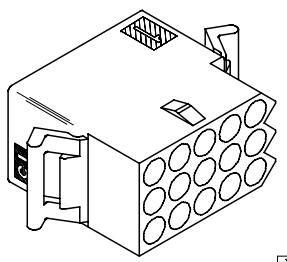
J
I
H
G
F
E
D
C
B
A

J
I
H
G
F
E
D
C
B
A



RECEPTACLE

PLUG



UPDATE TITLE BLOCK EC NO: UCP2007-2415 DRWNAELHAG 2007/04/17 CHKD:LSHMDT 2007/05/03 APPR:FSMTH 2007/05/03	QUALITY SYMBOLS ▽=0 ▽=0	GENERAL TOLERANCES (UNLESS SPECIFIED)		DIMENSION STYLE		SCALE	DESIGN UNITS	THIRD ANGLE PROJECTION			
				IN/MM		2:1	INCH				
						DRAWN BY	DATE	.093/(2.36) HOUSINGS PLUG & RECEPTACLE 15 CIRCUIT, .198/(5.03)CL			
						KBW	01/14/1989				
				CHECKED BY	DATE	MOLEX INCORPORATED					
				RW	01/14/1989						
				APPROVED BY	DATE	SD-1375-*					
				RAS	01/14/1989						
				MATERIAL NO.		DOCUMENT NO.		SHEET NO.			
				SEE CHART				1 OF 2			
				DRAFT WHERE APPLICABLE MUST REMAIN WITHIN DIMENSIONS		THIS DRAWING CONTAINS INFORMATION THAT IS PROPRIETARY TO MOLEX INCORPORATED AND SHOULD NOT BE USED WITHOUT WRITTEN PERMISSION					

12 11 10 9 8 7 6 5 4 3 2 1

PLUG			RECEPTACLE		
ORDER NO	ENG NO	PACKAGING	ORDER NO	ENG NO	PACKAGING
03-09-2151	I375-P	PK-1375-001	03-09-1151	I375-R	PK-1375-001
03-09-2159	I375-P4	PK-1375-002	03-09-1152	I375-R1	PK-1375-001
03-09-2158	I375-P7	PK-1375-001	03-09-1154	I375-R6	PK-1375-001
03-09-7158	I375-P7BK	PK-1375-001	03-09-1157	I375-R6-1	PK-1375-001
			03-09-6154	I375-R6BK	PK-1375-001

LEGEND FOR PLUG:

1375-P***

OPTIONS: _____

BLANK = W/O EARS, W/ PULL TABS, W/O LOCK WINDOWS
 2 = W/ STANDARD EARS, W/O PULL TABS, W/O LOCK WINDOWS
 4 = W/ PREBENT EARS, W/O PULL TABS, W/ LOCK WINDOWS
 6 = W/O EARS, W/O PULL TABS, W/ LOCK WINDOWS
 7 = W/O EARS, W/ PULL TABS, W/ LOCK WINDOWS
 8 = W/ PREBENT EARS, W/O PULL TABS, W/O LOCK WINDOWS

COLOR:

BLANK = NATURAL COLOR
 AM = AMBER BK = BLACK BU = BLUE
 BN = BROWN GY = GRAY GN = GREEN
 OR = ORANGE RD = RED YW = YELLOW

LEGEND FOR RECEPTACLE:

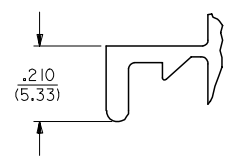
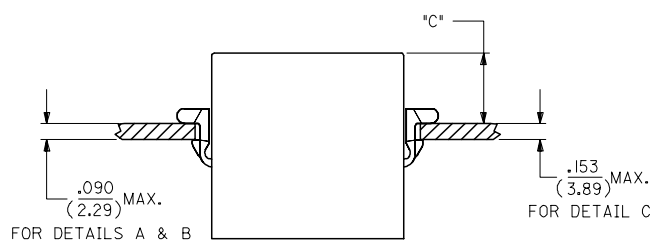
1375-R***

OPTIONS: _____

BLANK = W/ PREBENT EARS, W/O LOCK RAMPS
 1 = W/O EARS, W/O LOCK RAMPS
 6 = W/ STANDARD EARS & LOCK RAMPS
 6-1 = W/O EARS, W/ LOCK RAMPS

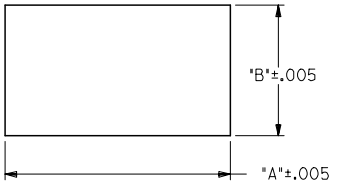
COLOR:

BLANK = NATURAL COLOR
 AM = AMBER BK = BLACK BU = BLUE
 BN = BROWN GY = GRAY GN = GREEN
 OR = ORANGE RD = RED YW = YELLOW



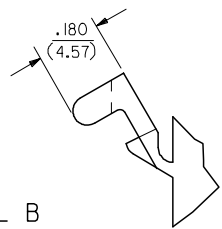
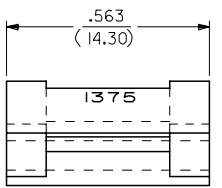
DETAIL A

.093/(2.36) STANDARD MOUNTING EAR (SCALE 4:1)



RECOMMENDED PANEL OPENING

HOUSING	DIM. "A"	DIM. "B"	"C" PREBENT EAR	"C" STANDARD EAR	"C" SPECIAL EAR
PLUG	1.343/(34.11)	.760/(19.30)	.40/(10.2)	.36/(9.1)	
RECEPT. W/ RAMPS	1.240/(31.50)	.725/(18.42)	.41/(10.4)	.37/(9.4)	.31/(7.8)
RECEPT. W/O RAMPS	1.240/(31.50)	.655/(16.64)	.41/(10.4)	.37/(9.4)	.31/(7.8)



DETAIL B

.093/(2.36)PREBENT MOUNTING EAR (SCALE 4:1)

NOTES :

1. MATERIAL : NYLON TYPE 6/6, 94V-2.
2. FINISH : NONE.
3. PRODUCT SPECIFICATION : PS-02-09.
4. PACKAGING INFORMATION : SEE CHART.

△ ETCHED CIRCUIT I.D. NUMBERS ON SIDE OF HOUSINGS TO BE PRESENT ON PARTS FROM TOOLS BUILT AFTER 2/28/94.

6. PARTS CONFORM TO CLASS B REQUIREMENTS OF COSMETIC SPECIFICATION PS-45499-002.

ADD NOTES 2, 4 & 6 EC NO: UCP2007-2415 DRWNAELHAG 2007/04/17 CHKD:LSHMDT 2007/05/03 APPR:FSM TH 2007/05/03	QUALITY SYMBOLS ▽=0 ▽=0	GENERAL TOLERANCES (UNLESS SPECIFIED)		DIMENSION STYLE		SCALE	DESIGN UNITS	THIRD ANGLE PROJECTION			
		mm INCH		IN/MM		1:1	INCH				
		4 PLACES ± --- ± ---		DRAWN BY	DATE	TITLE					
		3 PLACES ± --- ± .010		KBW	6/14/1989	.093/(2.36) HOUSINGS PLUG & RECEPTACLE 15 CIRCUIT .198/(5.03)CL					
2 PLACES ± 0.25 ± .014		CHECKED BY	DATE	molex MOLEX INCORPORATED							
1 PLACE ± 0.35 ± ---		RW	6/14/1989								
ANGULAR ±1/2°		APPROVED BY		DATE		SHEET NO. 2 OF 2					
		RAS		6/14/1989							
DRAFT WHERE APPLICABLE MUST REMAIN WITHIN DIMENSIONS		MATERIAL NO.		DOCUMENT NO.							
		SEE CHART		SD-1375-*							
		THIS DRAWING CONTAINS INFORMATION THAT IS PROPRIETARY TO MOLEX INCORPORATED AND SHOULD NOT BE USED WITHOUT WRITTEN PERMISSION									