

## FEATURES AND SPECIFICATIONS

### Features and Benefits

- Supports digital signals and offers excellent EMI/RFI performance
- Plug and play interface
- LFH™ contact design is rugged and reliable
- DDWG DVI standard interface
- Supports 4.95 Gbps over a single link and 9.9 Gbps performance over a dual link implementation
- Narrow key slot for polarization

### Reference Information

Product Specification: PS-74320-001

Packaging: 71781—Bag

74320—Tray

UL File No.: E29179

CSA File No.: LR19980

Mates with: Versions of 88741, 74323 and other plug components

Designed in: Inches

### Electrical

Voltage: 40V

Current: 1.5A

Contact Resistance: 20mΩ max.

Dielectric Withstanding Voltage: 500V

Insulation Resistance: 1,000 MΩ min.

### Mechanical

Contact Retention to Housing: 1 lb. min.

Insertion force to PCB: 10 lb. max.

Mating Force: 10 lb. max.

Unmating Force: 2.2 lb. min.

Durability: 100 cycles

### Physical

Housing: Glass-filled thermoplastic, UL 94V-0

Contact: Copper Alloy

Plating: Contact—30μ" Gold or Gold flash in contact area and

100μ" or 150μ" Tin/Lead in tail area over Nickel overall

Shields—150μ"bright Tin over Nickel over Copper flash overall

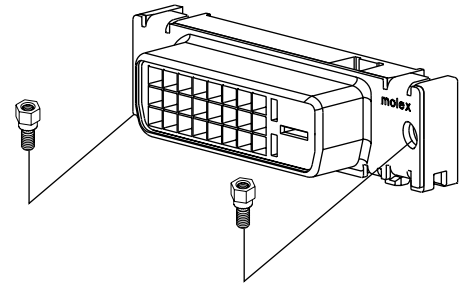
Operating Temperature: -20 to +85°C



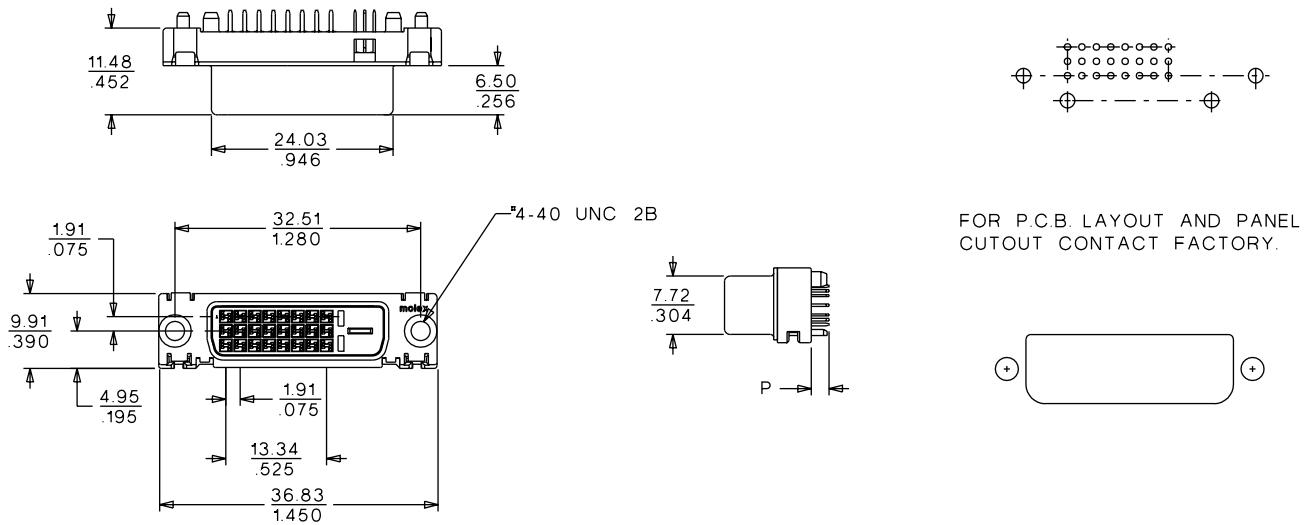
# MicroCross™ DVI-D Digital Visual Interface Receptacle Header and Hardware

## 74320/71781

## Panel Mount Through Hole Vertical



## CATALOG DRAWING (FOR REFERENCE ONLY)



## ORDERING INFORMATION AND DIMENSIONS

Order No.	Description	Dimension P	Plating
74320-5000	Vertical Receptacle	2.34 (.092)	30μ" Gold
74320-5004	Vertical Receptacle	2.34 (.092)	Gold Flash
71781-0001	Jackpost		Clear Chromate
71781-0002	Self-Clinching Jackpost		Zinc/Yellow Chromate

Please contact Molex for additional tail length options

I/O Connector

Q