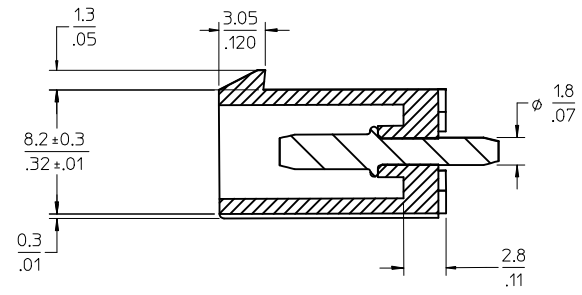
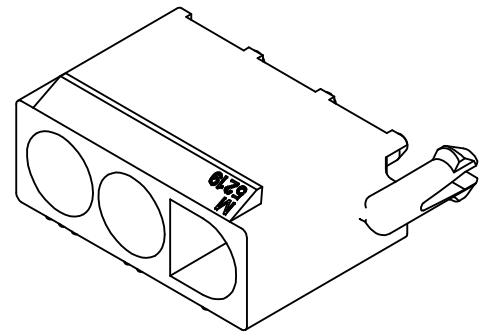
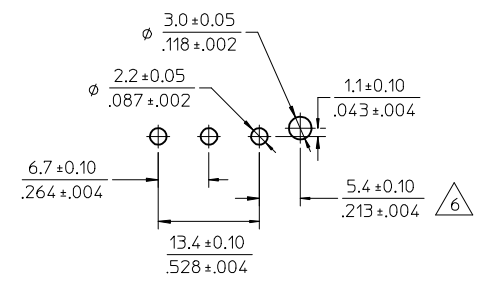
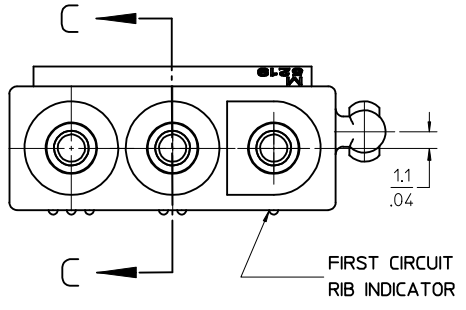


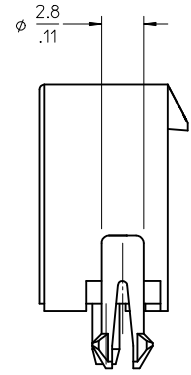
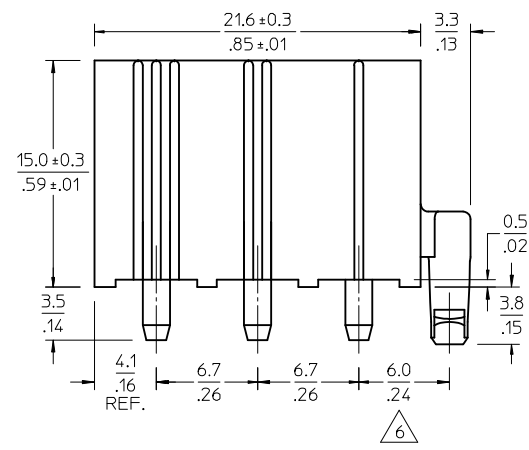
CIRCUITS	EDP NO.	ENG. NO.
3	39287038	5219-03A-201
	15311036	5219-03A



SECTION C-C

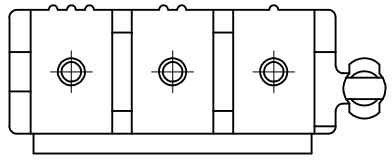


RECOMMENDED P.C. BOARD HOLE DIM. SCALE 2:1



NOTES:

- 1) MATERIAL:
HOUSING: "BLANK" = NYLON 6/6, UL94V-2, COLOR: NATURAL
"201" = NYLON 6/6, UL94V-0, COLOR: NATURAL
TERMINAL: C2700W BRASS
- 2) FINISH: 0.000003/(.0000001) MIN. TIN OVERALL OVER
0.000001/(.00000004) MIN. NICKEL OVERALL
- 3) PRODUCT SPECIFICATION: PS-3191-003
- 4) PACKAGING: NONE
- 5) MATES WITH: 3191-03R SERIES
- 6) DIFFERENCE OF DIMENSION TO PREVENT RISE FROM P.C.B.
- 7) PARTS CONFORM TO CLASS 'B' REQUIREMENTS OF COSMETIC SPECIFICATION PS-45499-002.



REMOVED DIMENSION EC NO: UCP2009-2076 DRWN:TRBENES 2009/02/24 CHKD:AELHAG 2009/03/13 APPR:FSMITH 2009/04/15	QUALITY SYMBOLS ▽=0 ▽=0	GENERAL TOLERANCES (UNLESS SPECIFIED)		DIMENSION STYLE MM/IN		SCALE 4:1	DESIGN UNITS METRIC	THIRD ANGLE PROJECTION	
		mm	INCH	DRAWN BY	DATE	TITLE NEW INTERNATIONAL CONN. HEADER AND ASSY.			
		4 PLACES ± --- ± ---	3 PLACES ± --- ± .005	TASAKAWA	1995/11/18				
		2 PLACES ± 0.13 ± .010	1 PLACE ± 0.25 ± ---	CHECKED BY	DATE	MOLEX INCORPORATED			
ANGULAR ±1/2°		HHIRAMOT	1995/11/18						
DRAFT WHERE APPLICABLE MUST REMAIN WITHIN DIMENSIONS		APPROVED BY	DATE	DOCUMENT NO.		SHEET NO.			
		FUKUSHIM	1995/11/18	SEE CHART		SD-5219-03A-*			
		MATERIAL NO.				INCORPORATED AND SHOULD NOT BE USED WITHOUT WRITTEN PERMISSION			
		SIZE C							
		N1							