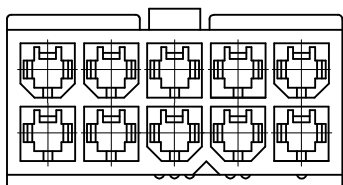
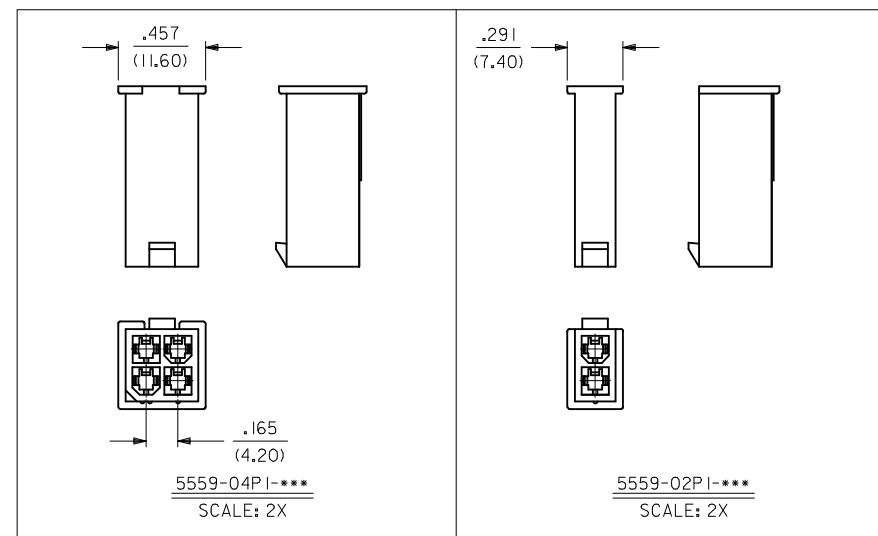
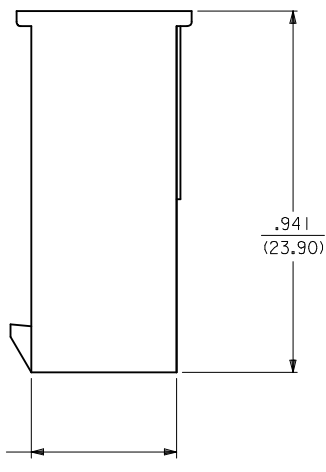
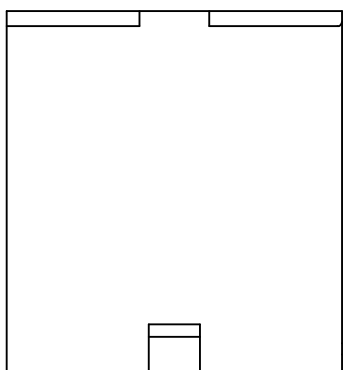


| CKT. SIZE | DIM. A | DIM. B |
|-----------|------------------|------------------|
| 6 | .331 (8.40) | .543 (13.80) |
| 8 | .496 (12.60) | .709 (18.00) |
| 10 | .661 (16.80) | .874 (22.20) |
| 12 | .827 (21.00) | 1.039 (26.40) |
| 14 | .992 (25.20) | 1.205 (30.60) |
| 16 | 1.157 (29.40) | 1.370 (34.80) |
| 18 | 1.323 (33.60) | 1.535 (39.00) |
| 20 | 1.488 (37.80) | 1.701 (43.20) |
| 22 | 1.654 (42.00) | 1.866 (47.40) |
| 24 | 1.819 (46.20) | 2.031 (51.60) |



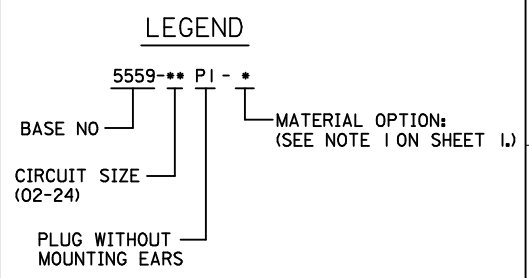
NOTES:

- MATERIAL: BLANK=NYLON 6/6, UL 94V-2, COLOR: NATURAL
BL=NYLON 6/6, UL94V-2, COLOR: BLACK
210=NYLON 6/6, UL 94V-0, COLOR: NATURAL
220=NYLON 6/6, UL 94V-2, U.V. STABILIZED, COLOR: BLACK
- FINISH: N/A
- PRODUCT SPECIFICATION: PS-5556-001
- PACKAGING SPECIFICATION: SEE CHARTS
- THIS PART MATES WITH RECEPTACLE #5557
- THIS PART IS FOR USE WITH MOLEX MALE TERMINAL #5558-*

| ADDED PK SPECS EC NO: UCP2009-0724 DRWN:KLOSTERMEIER 2008/10/01 CHKD:JBELL 2008/10/03 APPR:FSMITH 2008/10/03 | DESCRIPTION D2 | QUALITY SYMBOLS ▽=0 ▽=0 | GENERAL TOLERANCES (UNLESS SPECIFIED) <table border="1"> <thead> <tr> <th></th> <th>mm</th> <th>INCH</th> </tr> </thead> <tbody> <tr> <td>4 PLACES ±</td> <td>---</td> <td>---</td> </tr> <tr> <td>3 PLACES ±</td> <td>---</td> <td>±.015</td> </tr> <tr> <td>2 PLACES ±</td> <td>0.38</td> <td>---</td> </tr> <tr> <td>1 PLACE ±</td> <td>---</td> <td>---</td> </tr> </tbody> </table> | | mm | INCH | 4 PLACES ± | --- | --- | 3 PLACES ± | --- | ±.015 | 2 PLACES ± | 0.38 | --- | 1 PLACE ± | --- | --- | DIMENSION STYLE IN/MM DRAWN BY: RJF DATE: 1989/09/22 CHECKED BY: BAP DATE: 1989/09/22 APPROVED BY: ROS DATE: 1989/09/22 | SCALE: 4:1 DESIGN UNITS: METRIC THIRD ANGLE PROJECTION | TITLE: MINI FIT JR SERIES PLUG W/O MTG. EARS |
|---|-------------------|-------------------------------|---|------------------|----|------|------------|-----|-----|------------|-----|-------|------------|------|-----|-----------|-----|-----|--|--|---|
| | | | mm | INCH | | | | | | | | | | | | | | | | | |
| | | 4 PLACES ± | --- | --- | | | | | | | | | | | | | | | | | |
| | | 3 PLACES ± | --- | ±.015 | | | | | | | | | | | | | | | | | |
| 2 PLACES ± | 0.38 | --- | | | | | | | | | | | | | | | | | | | |
| 1 PLACE ± | --- | --- | | | | | | | | | | | | | | | | | | | |
| MATERIAL NO. SEE CHART | | DOCUMENT NO. SD-5559-NP1* | | SHEET NO. 1 OF 2 | | | | | | | | | | | | | | | | | |
| DRAFT WHERE APPLICABLE MUST REMAIN WITHIN DIMENSIONS | | | | | | | | | | | | | | | | | | | | | |
| THIS DRAWING CONTAINS INFORMATION THAT IS PROPRIETARY TO MOLEX INCORPORATED AND SHOULD NOT BE USED WITHOUT WRITTEN PERMISSION | | | | | | | | | | | | | | | | | | | | | |

| 13 | 12 | 11 | 10 | 9 |
|-------------|-------------|--------------|----------|-------------------------|
| PART NUMBER | ENG. NUMBER | CIRCUIT SIZE | MATERIAL | PACKAGING SPECIFICATION |
| 39-01-3023 | 5559-02P I | 2 | 94V-2 | PK-5559-002 |
| 39-01-3043 | 5559-04P I | 4 | 94V-2 | BULK |
| 39-01-3063 | 5559-06P I | 6 | 94V-2 | BULK |
| 39-01-3083 | 5559-08P I | 8 | 94V-2 | BULK |
| 39-01-3103 | 5559-10P I | 10 | 94V-2 | BULK |
| 39-01-3123 | 5559-12P I | 12 | 94V-2 | BULK |
| 39-01-3143 | 5559-14P I | 14 | 94V-2 | BULK |
| 39-01-3163 | 5559-16P I | 16 | 94V-2 | BULK |
| 39-01-3183 | 5559-18P I | 18 | 94V-2 | BULK |
| 39-01-3203 | 5559-20P I | 20 | 94V-2 | BULK |
| 39-01-3223 | 5559-22P I | 22 | 94V-2 | BULK |
| 39-01-3243 | 5559-24P I | 24 | 94V-2 | BULK |

| 8 | 7 | 6 | 5 | 4 |
|-------------|------------------|--------------|----------|-------------------------|
| PART NUMBER | ENG. NUMBER | CIRCUIT SIZE | MATERIAL | PACKAGING SPECIFICATION |
| 39-01-3029 | 5559-02P I-2 I O | 2 | 94V-0 | PK-5559-002 |
| 39-01-3049 | 5559-04P I-2 I O | 4 | 94V-0 | BULK |
| 39-01-3069 | 5559-06P I-2 I O | 6 | 94V-0 | BULK |
| 39-01-3089 | 5559-08P I-2 I O | 8 | 94V-0 | BULK |
| 39-01-3109 | 5559-10P I-2 I O | 10 | 94V-0 | BULK |
| 39-01-3129 | 5559-12P I-2 I O | 12 | 94V-0 | BULK |
| 39-01-3149 | 5559-14P I-2 I O | 14 | 94V-0 | BULK |
| 39-01-3169 | 5559-16P I-2 I O | 16 | 94V-0 | BULK |
| 39-01-3189 | 5559-18P I-2 I O | 18 | 94V-0 | BULK |
| 39-01-3209 | 5559-20P I-2 I O | 20 | 94V-0 | BULK |
| 39-01-3229 | 5559-22P I-2 I O | 22 | 94V-0 | BULK |
| 39-01-3249 | 5559-24P I-2 I O | 24 | 94V-0 | BULK |



| PART NUMBER | ENG. NUMBER | CIRCUIT SIZE | MATERIAL | PACKAGING SPECIFICATION |
|-------------|----------------|--------------|------------------------|-------------------------|
| 15-04-6020 | 5559-02P I-220 | 2 | 94V-2, U.V. STABILIZED | PK-5559-002 |
| NO E.D.P. | 5559-04P I-220 | 4 | 94V-2, U.V. STABILIZED | BULK |
| NO E.D.P. | 5559-06P I-220 | 6 | 94V-2, U.V. STABILIZED | BULK |
| NO E.D.P. | 5559-08P I-220 | 8 | 94V-2, U.V. STABILIZED | BULK |
| NO E.D.P. | 5559-10P I-220 | 10 | 94V-2, U.V. STABILIZED | BULK |
| NO E.D.P. | 5559-12P I-220 | 12 | 94V-2, U.V. STABILIZED | BULK |
| NO E.D.P. | 5559-14P I-220 | 14 | 94V-2, U.V. STABILIZED | BULK |
| NO E.D.P. | 5559-16P I-220 | 16 | 94V-2, U.V. STABILIZED | BULK |
| NO E.D.P. | 5559-18P I-220 | 18 | 94V-2, U.V. STABILIZED | BULK |
| NO E.D.P. | 5559-20P I-220 | 20 | 94V-2, U.V. STABILIZED | BULK |
| NO E.D.P. | 5559-22P I-220 | 22 | 94V-2, U.V. STABILIZED | BULK |
| NO E.D.P. | 5559-24P I-220 | 24 | 94V-2, U.V. STABILIZED | BULK |

| PART NUMBER | ENG. NUMBER | CIRCUIT SIZE | MATERIAL | PACKAGING SPECIFICATION |
|-------------|--------------|--------------|----------|-------------------------|
| 39-01-3026 | 5559-02P1-BL | 2 | 94V-2 | PK-5559-002 |
| 39-01-3046 | 5559-04P1-BL | 4 | 94V-2 | BULK |
| 39-01-3066 | 5559-06P1-BL | 6 | 94V-2 | BULK |
| 39-01-3086 | 5559-08P1-BL | 8 | 94V-2 | BULK |
| 39-01-3106 | 5559-10P1-BL | 10 | 94V-2 | BULK |
| 39-01-3126 | 5559-12P1-BL | 12 | 94V-2 | BULK |
| 39-01-3146 | 5559-14P1-BL | 14 | 94V-2 | BULK |
| 39-01-3166 | 5559-16P1-BL | 16 | 94V-2 | BULK |

| | | | | | | | | | |
|---|-------------------------------|---|---------|---------------------------------|---------------------|---|-------------------------------------|----------------------------|--|
| ADDED PK SPECS EC NO: UCP2009-0724 DRAWN: JLOSTNER 2008/10/01 CHKD: JBEL 2008/10/03 APPR: F SMITH 2008/10/03 | QUALITY SYMBOLS ▽=0 ▽=0 | GENERAL TOLERANCES (UNLESS SPECIFIED) | | DIMENSION STYLE IN/MM | SCALE 1:1 | DESIGN UNITS INCH | THIRD ANGLE PROJECTION | | |
| | | 4 PLACES ± --- ± --- 3 PLACES ± --- ± --- 2 PLACES ± --- ± .015 1 PLACE ± 0.38 ± --- | mm INCH | DRAWN BY R J F | DATE 1989/09/22 | TITLE MINI-FIT JR SERIES PLUG W/O MTG. EARS | | | |
| | | ANGULAR ± 1/2° | | CHECKED BY B A P | DATE 1989/09/22 | MOLEX INCORPORATED | | | |
| | | DRAFT WHERE APPLICABLE MUST REMAIN WITHIN DIMENSIONS | | APPROVED BY R O S | DATE 1989/09/22 | MATERIAL NO. SEE CHART | DOCUMENT NO. SD-5559-NP1* | SHEET NO. 2 OF 2 | |

THIS DRAWING CONTAINS INFORMATION THAT IS PROPRIETARY TO MOLEX INCORPORATED AND SHOULD NOT BE USED WITHOUT WRITTEN PERMISSION