

13 12 11 10 9 8 7 6 5 4 3 2 1

J  
I  
H  
G  
F  
E  
D  
C  
B  
A

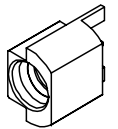
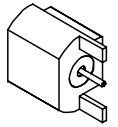
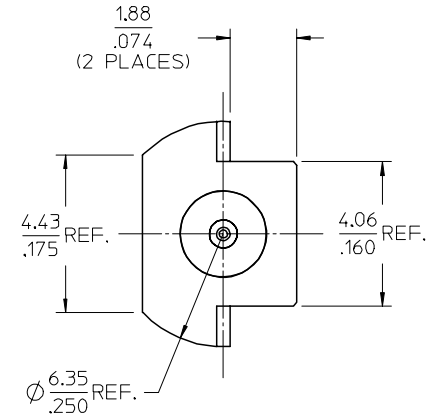
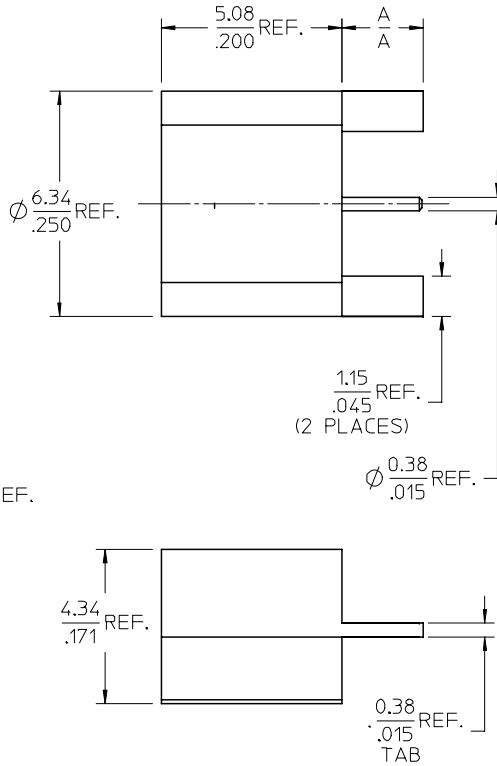
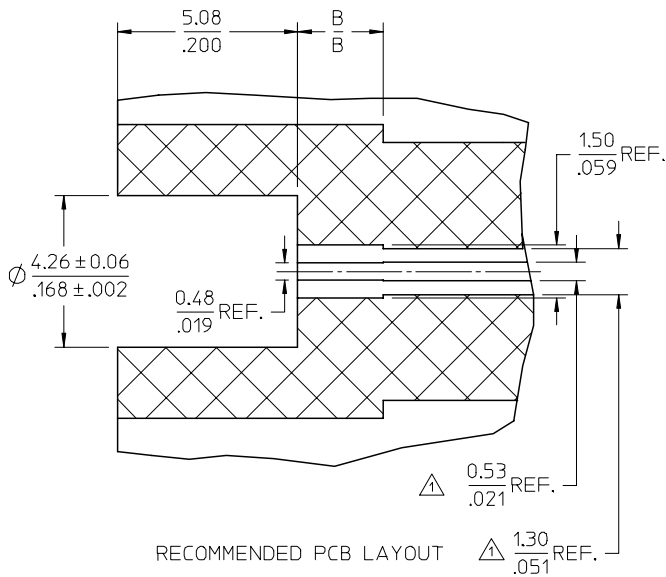
J  
I  
H  
G  
F  
E  
D  
C  
B  
A

MATERIALS AND FINISHES

BODY BRASS  
PLATED FOLD

CENTER CONTACT BRASS  
PLATED GOLD

INSULATOR TEFLON



△ DIMENSIONS APPLICABLE FOR ROGERS 4350  
PCB MATERIAL ONLY

73415-3593	PLACE 73415-3591 INTO SMALL TRAY 89707-0380
73415-3592	PLACE 73415-3590 INTO SMALL TRAY 89707-0380
PART NO.	DESCRIPTION

73415-3591	.050 REF	1.27 REF	.055	1.40
73415-3590	.090 REF	2.29 REF	.095	2.41
PART NO.	IN	MM	IN	MM
	DIM A		DIM B	

PS-89675-3320	PRODUCT SPECIFICATION
MIL-STD-348A, FIG. 326-3	INTERFACE
SPECIFICATION	DESCRIPTION

CHG: ADDED -3592,  
-3593  
EC NO: URF2007-0311  
DRAWN/CLL: 2007/02/05  
CHKD: 2007/02/05  
APPR: MJIANG  
2007/02/05  
REVISION DESCRIPTION

QUALITY SYMBOLS ▽=0 ▽=0	GENERAL TOLERANCES (UNLESS SPECIFIED)	DIMENSION STYLE MM/IN	SCALE	DESIGN UNITS METRIC	THIRD ANGLE PROJECTION
	4 PLACES ± --- ± --- 3 PLACES ± --- ± --- 2 PLACES ± --- ± --- 1 PLACE ± --- ± --- ANGULAR ± 2 °	DRAWN BY SSS DATE 2007/07/18 CHECKED BY TEL DATE 2007/07/18 APPROVED BY SMH DATE 2007/07/18	TITLE SMP PLUG, PCB EDMOUNT 50 OHMS LIMITED DETENT SMP-P/PCB	MATERIAL NO. SD-73415-359	DOCUMENT NO. SD-73415-359
DRAFT WHERE APPLICABLE MUST REMAIN WITHIN DIMENSIONS		SIZE C	THIS DRAWING CONTAINS INFORMATION THAT IS PROPRIETARY TO MOLEX INCORPORATED AND SHOULD NOT BE USED WITHOUT WRITTEN PERMISSION		

12 11 10 9 8 7 6 5 4 3 2 1