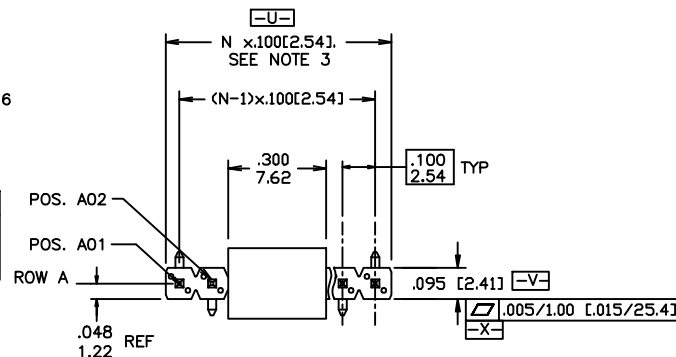


PRODUCT NUMBER
54201 - X XX - XX - XXX

PLATING
S=15µ"/0.38µm GOLD ON CONTACT AREA (NOTE 13) 100u"/2.54µm TIN ON TAIL
G=30µ"/0.76µm GOLD ON CONTACT AREA (NOTE 13) 100u"/2.54µm TIN ON TAIL
T=100µ"/2.54µm TIN ON CONTACT AREA & ON TAIL (SEE NOTE 8 & 12)
F=2µ"/0.05µm] GOLD ON CONTACT AREA & ON TAIL

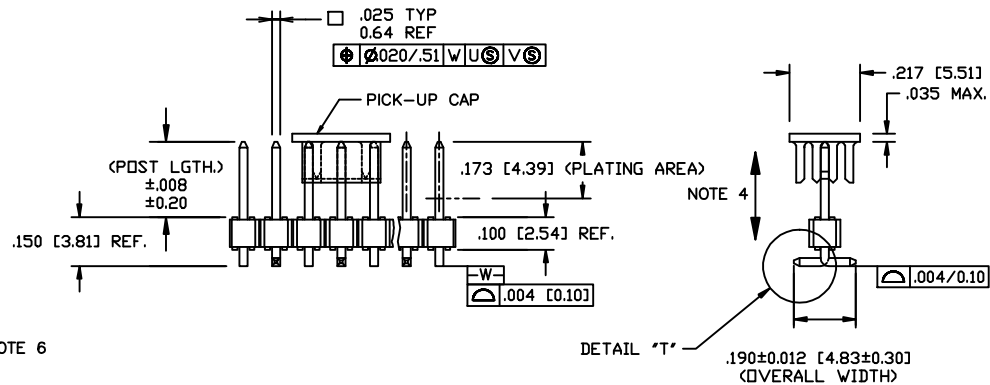
LEAD STYLE	POST LGTH.
08	0.230/5.84
30	0.318/8.08



LEAD FREE PRODUCT NUMBER
54201 - X XX XX - XXX LF

PLATING
S=15µ"/0.38µm GOLD ON CONTACT AREA (NOTE 13) 100u"/2.54µm TIN ON TAIL
G=30µ"/0.76µm GOLD ON CONTACT AREA (NOTE 13) 100u"/2.54µm TIN ON TAIL
T=100µ"/2.54µm TIN ON CONTACT AREA & ON TAIL (SEE NOTE 8 & 12)
F=2µ"/0.05µm] GOLD ON CONTACT AREA & ON TAIL

LEAD STYLE	POST LGTH.
08	0.230/5.84
30	0.318/8.08



.000 to .008 MAX. LEG TIP TOE UP TYPICAL

VIEW N.T.S. DETAIL "T"

mat'l. code SEE NOTES 1 & 2		surface ISO 902	tolerance ISO 406 ISO 7001	projection ISO 1001	product family BERGSTIK
ltr	ecn no	dr	date	tolerances unless otherwise specified	title
J	M06-0258	MHT	7/17/06	angles XXX±.01/XXX±.03	.100 UNSHROUDED HDR. S/R VERT. SURF. MNT.
K	M06-0435	MHT	10/31/06	linear XXX±.005/XXX±0.13	
L	M07-0192	MHT	4/18/07	0°±2'	scale 1:1
M	M08-0129	MHT	4/30/08	dr	D.INGRAM 05/11/99
N	M08-0165	MHT	6/06/08	engr	H.SUNDY 07/21/99
P	M08-0237	MHT	8/25/08	chr	H.SUNDY 07/21/99
R	M08-0279	MHT	9/30/08	appd	H.SUNDY 07/21/99
sheet	revision	R	R	R	FCJ
index	sheet	1	2	3	
dwg no		sheet 1 of 3		size	
54201		A3			
type		Product Customer Drawing			



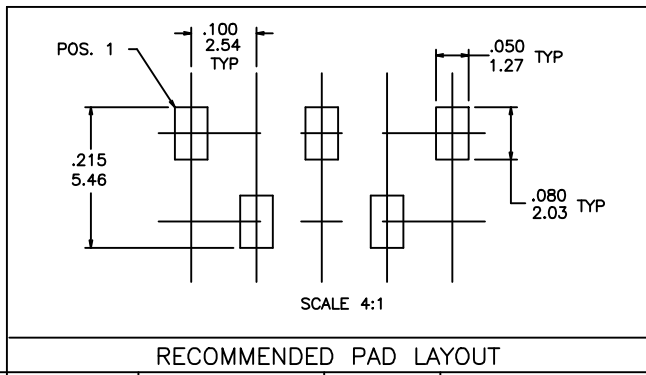
Copyright FCI

TAPE AND REEL PACKAGING

SIZE	LEAD STYLE 08 POST (0.230 [5.84])	LEAD STYLE 30 POST (0.318 [8.08])
1X2	YES	NONE
1X3	↑	↑
1X4		
1X5		
1X6		
1X7		
1X8		
1X9		
1X10		
1X11		
1X12		
1X13		
1X14		
1X15		
1X16	↓	
1X17	YES	
1X18	NONE	
1X19	NONE	
1X20	NONE	NONE

NOTES:

- HOUSING MAT'L: HIGH TEMPERATURE THERMOPLASTIC. UL94V-0
COLOR: BLACK
OR
MINERAL FILLED LCP FLAME RETARDENT
PER UL-94V-0. COLOR: BLACK.
- PIN MATERIAL: PHOSPHOR-BRONZE
- TO DETERMINE DIMENSIONS:
N = NUMBER OF POSITIONS PER ROW.
EXAMPLE: 10 POS., N x .100/2.54=1.00/25.4
- 2LBS/0.9KG MIN. PIN RETENTION IN EITHER DIRECTION.
- PACKAGING: - = POLY BAGS
P = TUBES WITH PICKUP CAPS.
A = TAPE AND REEL WITH PICKUP CAPS.
- FOR POLARIZATION, SPECIFY POSITION NUMBER (i.e. A03=ROW A POS. 3)
TO OMIT PIN. IF THIS FEATURE IS NOT APPLICABLE, OMIT FROM PROD. NO..
PRODUCT MANAGEMENT APPROVAL IS REQUIRED PRIOR TO THE
RELEASE OR SALE OF POLARIZED PRODUCTS.
- UNDERPLATING: 50µ"/1.27µm Ni.
- PIN TIPS ON Sn PLATED PRODUCT MAY HAVE BARE METAL ON TOW SIDES,
BOTH ENDS.
- PART NUMBERS WITH "LF" AT THE END ARE LEAD FREE.
- THIS PRODUCT MEETS EUROPEAN UNION DIRECTIVES AND OTHER
COUNTRY REGULATION AS DESCRIBED IN GS-22-008.
- THE HOUSING WILL WITHSTAND EXPOSURE TO 260°C PEAK TEMPERATURE
FOR 20 SECONDS IN A CONVECTION, INFRA-RED OR VAPOR PHASE REFLOW
OVEN. SEE APPLICATION NOTES/PROCEDURES IF THEY ARE AVAILABLE.
- "THIS PRODUCT HAS 100% PURE TIN PLATING IN THE INTERFACE AND
HAS NOT BEEN TESTED FOR WHISKER GROWTH IN ALL INTERCONNECT
ENVIRONMENTS."
- PLATING OPTIONS:
MAY BE EITHER GOLD OR GXT PLATED AT MANUFACTURER'S OPTION.

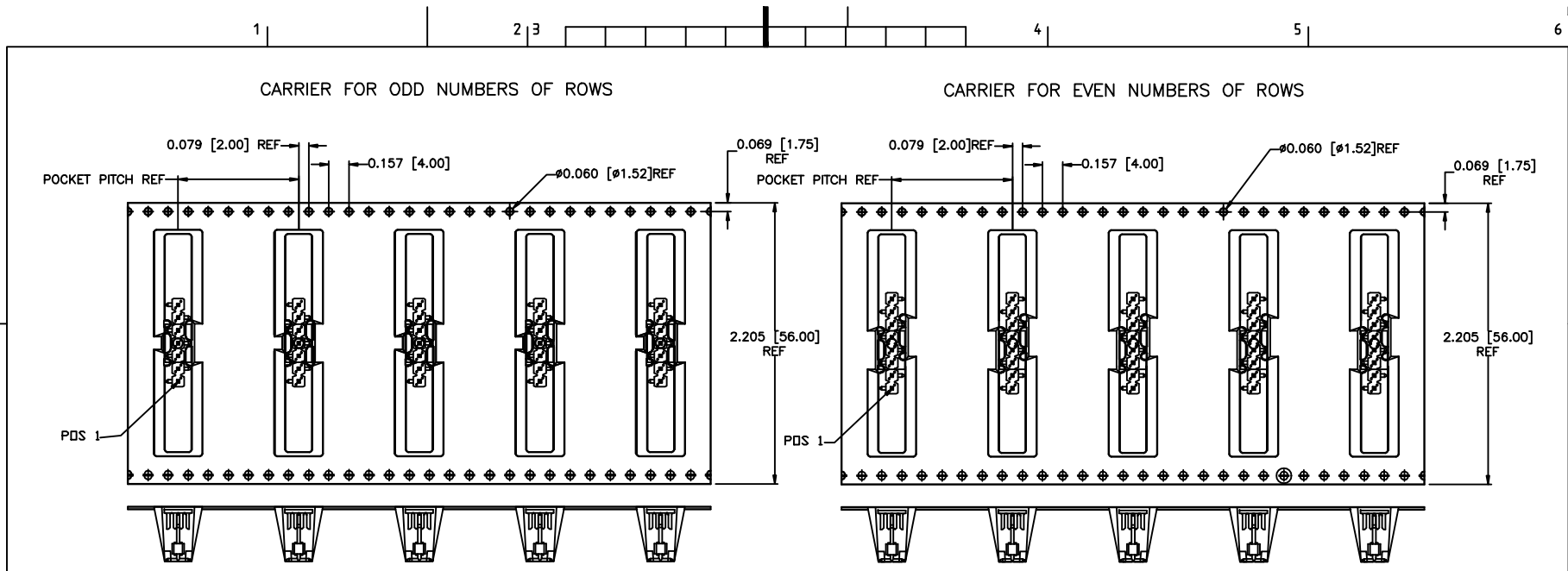


mat'l. code		surface ISO 1902 ✓		tolerance ISO 406 ISO 7001		projection		product family BERGSTIK	
ltr	ecn no	dr	date	tolerances unless otherwise specified				title	
R				angles	linear	INCH/MM		.100 UNSHROUDED HDR. S/R VERT. SURF. MNT.	
				0°±2'	XXX±.01/XXX±.03	scale 1:1		dwg no sheet 2 of 3 size	
				dr	D.INGRAM	05/11/99	FCJ		54201 A3
				engr	H.SUNDY	07/21/99			
				chr	H.SUNDY	07/21/99			
				appd	H.SUNDY	07/21/99			
sheet	revision		type Product Customer Drawing						
index	sheet								



Copyright FCJ

form A3



UN-REELING DIRECTION OF FEED

UN-REELING DIRECTION OF FEED



Copyright FCJ

mat'l. code		surface		tolerance		projection		product family	
		ISO 1302		ISO 406		1st angle		BERGSTIK	
ltr		ecp no		date		tolerances unless otherwise specified		title	
R						XXL01/XXL03		.100 UNSHROUDED HDR.	
						linear XXX±.005/XXX±0.13		S/R VERT. SURF. MNT.	
						O'±2'		scale 1:1	
						XXX±.0020/XXX±0.05		dwg no	
		dr		D.INGRAM		05/11/99		sheet 3 of 3	
		engr		H.SUNDY		07/21/99		size	
		chr		H.SUNDY		07/21/99		A3	
		appd		H.SUNDY		07/21/99		type	
sheet		revision						Product Customer Drawing	
index		sheet							