



Clifford & Snell



Industrial Audible and Visual Alarm



YO5/YL5



Yodalarm and Yodalight Range

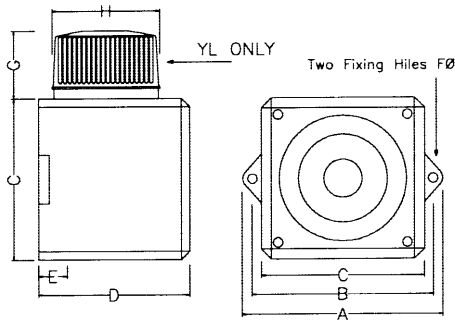


YL5



YO5

Dimensions (mm)



Dimensions (mm)

Dim A	169	Dim E	23
Dim B	153	Dim F	8
Dim C	134	Dim G	57.5 - YL5
Dim D	128	Dim H	88 - YL5

M20 Cable Mounting hole at Dim E

MOUNTING: The YO5/YL5 series alarm units are mounted to a reasonably flat wall or bulkhead of suitable material using the lugs projecting from the side of the case. The lugs are bored 8mm clearance on 153mm centres. The minimum recommended length of fixing screws is 25mm. To maintain the integrity of the weather seal, the cable entry must be via a suitable sealed gland.

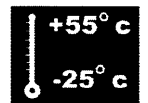
Main Features

- 32 selectable tones meeting international regulations
- 2 stage alarm
- 3 wire polarised DC and AC, or 2 wire bi-polar for DC only
- Choice of lens colours red, amber, green, blue, opal, clear made from flame retardant polycarbonate
- High output sound
- Low current consumption
- Continuously rated
- Robust, reliable and simple to install
- Enclosure made from ABS flame retardant plastic
- Strobe - 2.5 and 5.0 joule flash.
- See Ordering Instructions
- Stainless steel fixings
- Sound selection via DIL switch

Technical Specification

- Operating temperature -25 deg C to + 55 deg C
- Storage temperature -40 deg C to + 70 deg C
- Operating Voltage 24Vdc (12 - 35Vdc), 48Vdc, 115Vac, 230Vac +/- 10%
(12V versions will produce approx. 6dB less output)
- Maximum humidity (40deg C) 90% RH
- Sound output 110 dB(A) @ 1 mtr
- Weight YO5 0.55 Kg dc / 0.81 Kg ac
- Weight YL5 0.68 Kg dc / 0.90 Kg ac
- IP 54 rated std, IP 66 (WR) to order
- Volume control allowing max 18dB(A) adjustment
- Minimum current consumption 20mA
- Optional independent 2nd stage via second DIL switch (DC only)

All dimensions quoted are approximate only and subject to change without notice as are technical features resulting from continual development and improvement



12Vdc only

YO5dc

YO5ac

YL5dc

YL5ac

Industrial Audible and Visual Alarm Y05/YL5

Tone Table

* Optional independent second stage sound is available on request (DC only).

First Stage Signal	Freq.	Sound switches					Rep Rate (sec.)	Special application
		1	2	3	4	5		
1 Alternate two-tone	800-1000	1	1	1	1	1	0.5	Fire alarms
2 Alternate two-tone	2500-3100	0	1	1	1	1	0.5	Security alarms
3 Alternate fast two-tone	800-1000	1	0	1	1	1	0.25	Increased urgency
4 Alternate fast wo-tone	2500-3100	0	0	1	1	1	0.25	Security deterrent
5 Alternate two-tone	440-554	1	1	0	1	1	0.4/0.1	AFNOR, FRANCE
6 Alternate two-tone	430-470	0	1	0	1	1	1.0	
7 Alternate v.fast two-tone	800-1000	1	0	0	1	1	0.13	
8 Alternate v.fast two-tone	2500-3200	0	0	0	1	1	0.07	
9 Alternate two-tone	440-554	1	1	1	0	1	2.0	Turn-out, SWEDEN
10 Continuous note	700	0	1	1	0	1	-	All-clear, SWEDEN
11 Continuous note	1000	1	0	1	0	1	-	
12 Continuous note	1000	0	0	1	0	1	-	
13 Continuous note	2300	1	1	0	0	1	-	
14 Continuous note	440	0	1	0	0	1	-	
15 Interrupted tone	1000	1	0	0	0	1	2.0	
16 Interrupted tone	420	0	0	0	0	1	1.25	AS2220, AUSTRALIA
17 Interrupted tone	1000	1	1	1	1	0	0.5	
18 Interrupted tone	2500	0	1	1	1	0	0.25	
19 Interrupted tone	2500	1	0	1	1	0	0.5	
20 Interrupted tone	700	0	0	1	1	0	6/12	Pre-vitalmessage SWEDEN
21 Interrupted tone	1000	1	1	0	1	0	1.0	
22 Interrupted tone	700	0	1	0	1	0	4.0	Air-raid alarm, SWEDEN
23 Interrupted tone	700	1	0	0	1	0	0.25	Local warning, SWEDEN
24 Interrupted tone	720	0	0	0	1	0	0.7/0.3	Industrial alarm, GERMANY
25 Int,fast, rising volume	1400	1	1	1	0	0	0.25	
26 Fast siren	250-1200	0	1	1	0	0	0.085	
27 Rising constant, fall	1000	1	0	1	0	0	10/40/10	Industrial alarm, GERMANY
28 ISO 8201 Evacuation	800-1000	0	0	1	0	0	As std	Int'l evacuation alarm
29 Fast whoop	500-1000	1	1	0	0	0	0.15	
30 Slow whoop	500- 1200	0	1	0	0	0	4.5	Evacuation, The Netherlands
31 Reverse sweep	1200-500	1	0	0	0	0	1.0	Evacuation, GERMANY
32 Siren	500-1200	0	0	0	0	0	3.0	

Switch Setting: ON=1 and OFF=0

The PFEER sound signals recommended by UKOOA are:-

General Alarm

PAPA

Toxic Gas

Sound Signal 15 Interrupted tone 1000 Hz

Sound Signal 31 Reverse Sweep 1200-500 Hz

Sound Signal 11 Continuous Tone 1000 Hz.

Line Monitoring - (DC Only)

- 3 Wire 2 stage or 2 wire single stage, monitor via reverse polarity

- 2 Wire 2 stage i.e. bi-polar inputs, monitor via threshold (applied voltage <1V)

End of line resistor. Minimum 3K3 ohm 0.5 watts, wire-wound or metal film type.

Industrial Audible and Visual Alarm YO5/YL5

How To Order

Sounder Type

YO5



Supply Voltage

DC		AC	
24	48	115	230
D	F	L	N

Material

Red Flame Retardant

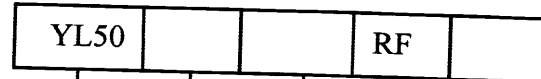


Optional independent
2nd stage



Sounder Type

YL5



Strobe supply
Voltage and
Flash Energy

Flash Energy	DC			AC	
	12	24	48	115	230
2.5 J	B25	D25			
5.0 J		D50	F50	L50	N50

Lens Colour

Amber	Red	Green	Opal	Blue	Clear
A	R	G	O	B	C

Material

Red Flame Retardant



Optional independent
2nd stage



Clifford & Snell



A Division of Signature Industries

Tom Cribb Road, Thamesmead,
London SE28 0BH

Tele: 44 (0) 208 3171717

Fax: 44 (0) 208 3172400

Web Site: www.signatureindustries.com

Email: cliffordandsnell@aol.com