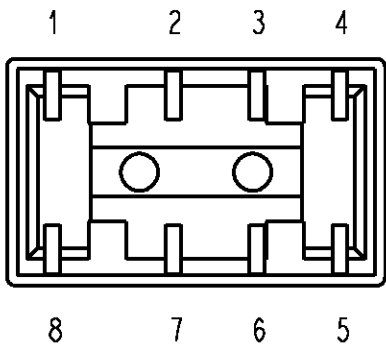
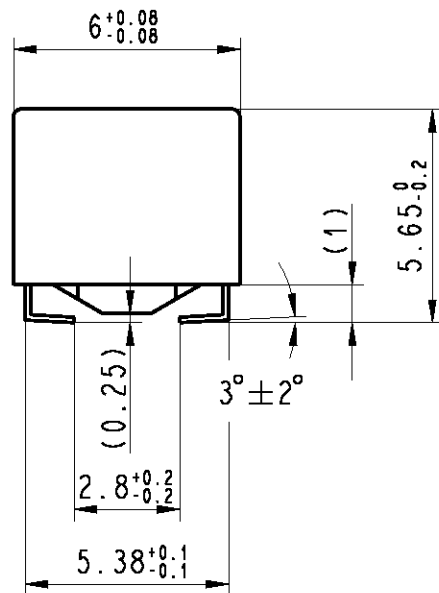
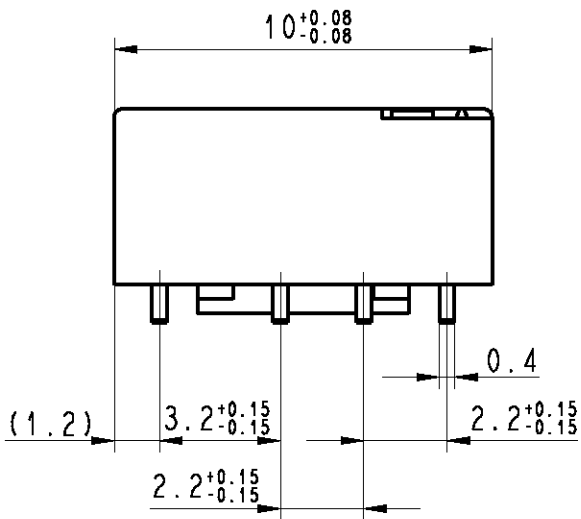


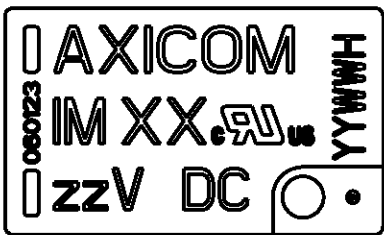
LOC		DIST		REVISIONS			
P	LTR	DESCRIPTION	DATE	DWN	APVD		
HJ	-	A8	REVISED PER ECO-11-005150	25MAR11	RK	HMR	



Relay - bottom view



Coplanarity <0.10mm



XX = Relay type
 ZZ = nominal voltage
 YYWW = Date code

DRAWING ALIAS E2001-DOK02

RELEASED FOR PUBLICATION

ALL RIGHTS RESERVED.

BY -
 © COPYRIGHT

DIMENSIONS: mm		DWN UK 9193 08Aug1998	MATERIAL -	FINISH -	
TOLERANCES UNLESS OTHERWISE SPECIFIED: DIN 7168-m		CHK HD 9121 08Aug1998	TE Connectivity		
0 PLC ±- 1 PLC ±- 2 PLC ±- 3 PLC ±- 4 PLC ±- ANGLES ±-		APVD HD 9121 08Aug1998			
PRODUCT SPEC -		NAME IM-Relay SMT J-Legs Dimensions			
APPLICATION SPEC -		SIZE A4	CAGE CODE 00779	DRAWING NO C-1462037-3	RESTRICTED TO -
WEIGHT -		CUSTOMER DRAWING		SCALE 5:1	SHEET 1 OF 1 REV A8