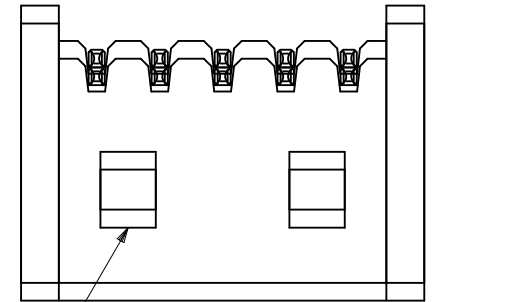


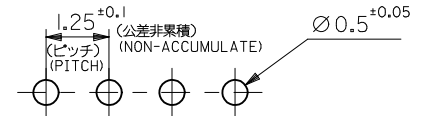
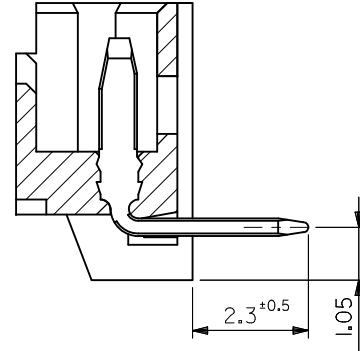
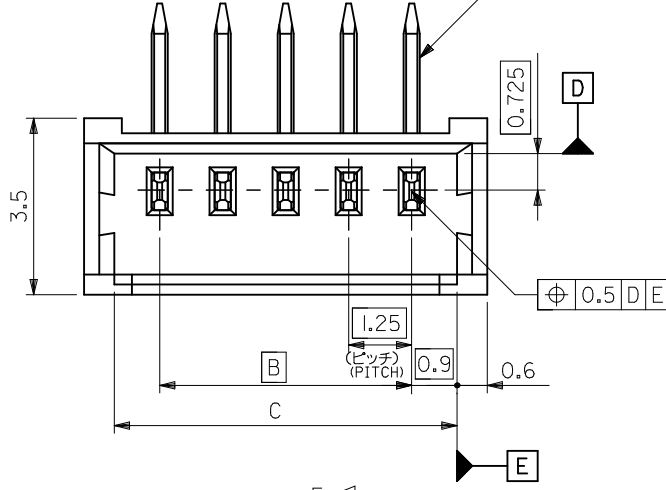
注記

NOTES

1. 嵌合相手: 51021-\*\*-00  
MATE WITH: 51021-\*\*-00
- △. ロック窓は、2, 3極が1ヶ所、4~15極が2ヶ所とする。  
WINDOW OF LOCK CONSTRUCTED 1 POINT BY 2,3POLES  
AND 2POINTS BY 4~15POLES.
3. MATERIAL :  
PIN : PHOSPHOR BRONZE, PRE-PLATED TIN  
WAFER : NYLON, 94V-0 , NATURAL COLOR

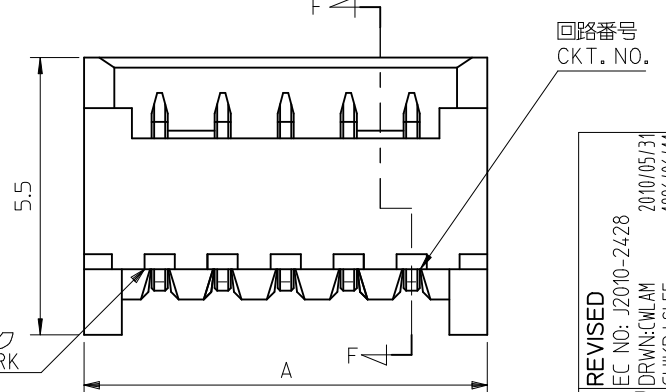


回路番号 1  
CKT.No.1



基板取付穴推奨寸法 (t=0.8)  
RECOMMENDED PC BOARD HOLE DIMENSION (t=0.8)

|       |       |       |            |    |
|-------|-------|-------|------------|----|
| 19.3  | 17.5  | 20.5  | 53048-1510 | 15 |
| 18.05 | 16.25 | 19.25 | -1410      | 14 |
| 16.8  | 15    | 18    | -1310      | 13 |
| 15.55 | 13.75 | 16.75 | -1210      | 12 |
| 14.3  | 12.5  | 15.5  | -1110      | 11 |
| 13.05 | 11.25 | 14.25 | -1010      | 10 |
| 11.8  | 10    | 13    | -0910      | 9  |
| 10.55 | 8.75  | 11.75 | -0810      | 8  |
| 9.3   | 7.5   | 10.5  | -0710      | 7  |
| 8.05  | 6.25  | 9.25  | -0610      | 6  |
| 6.8   | 5     | 8     | -0510      | 5  |
| 5.55  | 3.75  | 6.75  | -0410      | 4  |
| 4.3   | 2.5   | 5.5   | -0310      | 3  |
| 3.05  | 1.25  | 4.25  | 53048-0210 | 2  |
| C     | B     | A     | ENG. NO.   | 極数 |



トレードマーク  
TRADE MARK

|   |  |  |   |            |                              |                |                        |              |                           |           |
|---|--|--|---|------------|------------------------------|----------------|------------------------|--------------|---------------------------|-----------|
| REVISED<br>EC NO: J2010-2428<br>DRWN: CWLAM 2010/05/31<br>CHKD: LSLEE 1996/06/11<br>APPR: NUKITA 2010/09/07 | GENERAL TOLERANCES<br>(UNLESS SPECIFIED) |  | DIMENSION STYLE<br>MM ONLY  |            | SCALE<br>---                 |                | DESIGN UNITS<br>METRIC |              | THIRD ANGLE<br>PROJECTION |           |
|   | 10 UNDER                                 | ±0.2   | DRAWN BY  | DATE       | TITLE                        |                |                        |              |                           |           |
|   | 10 OVER 30 UNDER                         | ±0.25  | S-ANDO  | 1996/06/11 | 1.25 W/B CONN WAFER ASSY R/A |                |                        |              |                           |           |
|   | 30 OVER                                  | ±0.3   | CHECKED BY  | DATE       | MOLEX INCORPORATED           |                |                        |              |                           |           |
|   | ANGULAR ±3 °                             | DRAFT WHERE APPLICABLE MUST REMAIN WITHIN DIMENSIONS | APPROVED BY   |            | DATE                         | MATERIAL NO.   |                        | DOCUMENT NO. |                           | SHEET NO. |
|   |  |  | SEE TABLE   |            |                              | SD-53048-**-10 |                        | 1 OF 1       |                           |           |
|   |  |  | THIS DRAWING CONTAINS INFORMATION THAT IS PROPRIETARY TO MOLEX INCORPORATED AND SHOULD NOT BE USED WITHOUT WRITTEN PERMISSION |            |                              |                |                        |              |                           |           |