

Cindy series



Ordering number C10859
Description C10859-Cindy-L251-S

| | | | |
|-----------------|-----------|-------------|--------------|
| Family | Cindy | FWHM | 22,5 degrees |
| Type | Reflector | Efficiency | - |
| LED | CL-L251 | cd/lm | - |
| Color | Metal | Gerber File | Available |
| Diameter | 22.6 mm | | |
| Height | 12.6 mm | | |
| Style | Hexagonal | | |
| Optic Material | - | | |
| Holder Material | - | | |
| Fastening | Glue | | |
| Status | Ready | | |



Ordering number C10980
Description C10980-Cindy-L251-M

| | | | |
|-----------------|-----------|-------------|------------|
| Family | Cindy | FWHM | 33 degrees |
| Type | Reflector | Efficiency | - |
| LED | CL-L251 | cd/lm | - |
| Color | Metal | Gerber File | Available |
| Diameter | 22.6 mm | | |
| Height | 12.6 mm | | |
| Style | Hexagonal | | |
| Optic Material | - | | |
| Holder Material | - | | |
| Fastening | - | | |
| Status | Ready | | |



Ordering number C10981
Description C10981-Cindy-L251-W

| | | | |
|-----------------|-----------|-------------|------------|
| Family | Cindy | FWHM | 56 degrees |
| Type | Reflector | Efficiency | - |
| LED | CL-L251 | cd/lm | - |
| Color | Metal | Gerber File | Available |
| Diameter | 22.6 mm | | |
| Height | 12.6 mm | | |
| Style | Hexagonal | | |
| Optic Material | - | | |
| Holder Material | - | | |
| Fastening | - | | |
| Status | Ready | | |



Cindy series

Specially designed for CL-L251 series of LEDs.

Reflector material optical grade metal and protective lacquer coated PC (120 degrees of Celcius/24 degrees of Fahrenheit). Allows use of high current and temperature conditions.

Fastening of holden to PCB with appropriate adhesive. By clicking link below you can find Ledil recommended glue options.

http://ledil.fi/sites/default/files/Documents/Technical/Installation/20110406_DataSheet_GLUES.pdf

We advise customer to ensure the suitability and sufficiency of the bond in the end product. For example, mechanical stress, vibration and holes on the surface of the circuit board weaken the strength of the glue.

D C B A

4

3

2

1

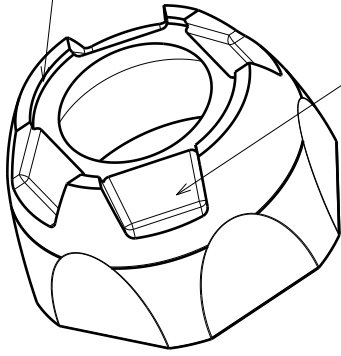
4

3

2

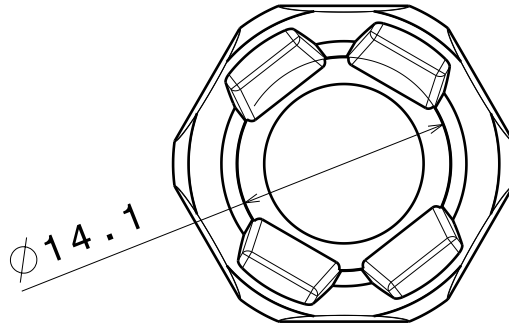
1

Guide profile for centering to LED



Recesses for solder pads/ screws

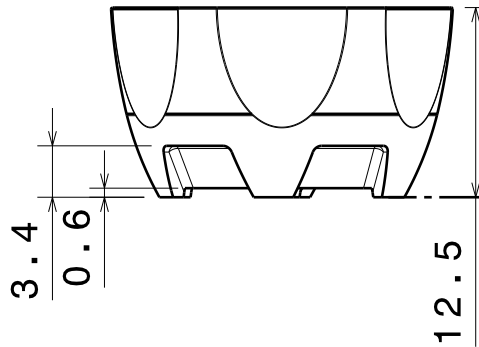
Bottom view



Ø14.1

Front view

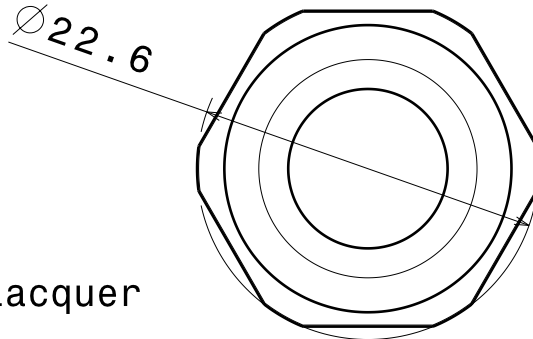
Top of PCB



3.4
0.6

12.5

Top view



Ø22.6

Material: PC
Coating: metal+clear lacquer

Versions;
C10982 Spot
C10983 Medium
C10984 Wide

This drawing is our property.
It can't be reproduced
or communicated without
our written agreement.



Ledil Oy
Tehdaskatu 13
FIN-24100 SALO
Finland

DRAWING TITLE

Datasheet Cindy L230 Reflector

| | |
|----------------|--------------------|
| DRAWN BY pv | DATE 17.03.2010 |
|----------------|--------------------|

| | |
|------------------|--------------------|
| CHECKED BY tk | DATE 24.02.2010 |
|------------------|--------------------|

| | |
|-------------------|--------------------|
| DESIGNED BY jj | DATE 07.08.2008 |
|-------------------|--------------------|

| | | |
|------------|---------------------------------------|----------|
| SIZE A4 | DRAWING NUMBER 10982, 10983, 10984 | REV 2 |
|------------|---------------------------------------|----------|

| | | |
|--------------|------------|--------------|
| SCALE 2:1 | WEIGHT (g) | SHEET 1/1 |
|--------------|------------|--------------|

D

A

D C B A

4

3

2

1

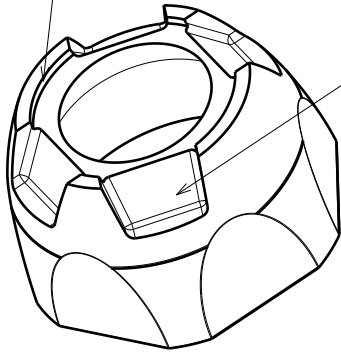
4

3

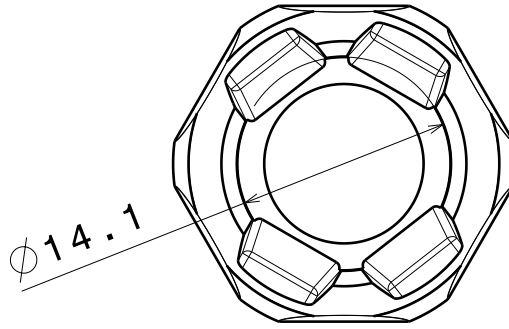
2

1

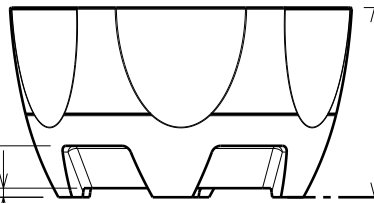
Guide profile for centering to LED



Recesses for solder pads/ screws



Bottom view



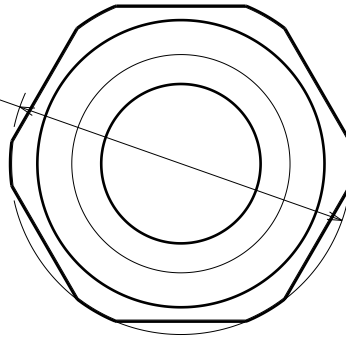
Front view

Top of PCB

3.4
0.6

12.5

Ø 22.6



Top view

Material: PC
Coating: metal+clear lacquer

Versions;
C10982 Spot
C10983 Medium
C10984 Wide

This drawing is our property.
It can't be reproduced
or communicated without
our written agreement.



Ledil Oy
Tehdaskatu 13
FIN-24100 SALO
Finland

DRAWING TITLE

Datasheet Cindy L230 Reflector

| | |
|----------------|--------------------|
| DRAWN BY pv | DATE 17.03.2010 |
|----------------|--------------------|

| | |
|------------------|--------------------|
| CHECKED BY tk | DATE 24.02.2010 |
|------------------|--------------------|

| | |
|-------------------|--------------------|
| DESIGNED BY jj | DATE 07.08.2008 |
|-------------------|--------------------|

| | | |
|------------|---------------------------------------|----------|
| SIZE A4 | DRAWING NUMBER 10982, 10983, 10984 | REV 2 |
|------------|---------------------------------------|----------|

| | | |
|--------------|------------|--------------|
| SCALE 2:1 | WEIGHT (g) | SHEET 1/1 |
|--------------|------------|--------------|

D

A

D C B A

4

3

2

1

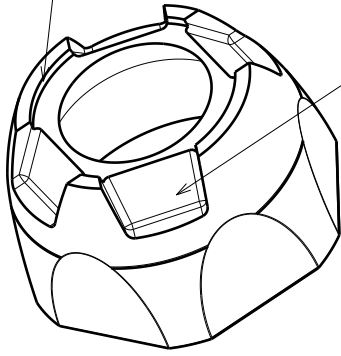
4

3

2

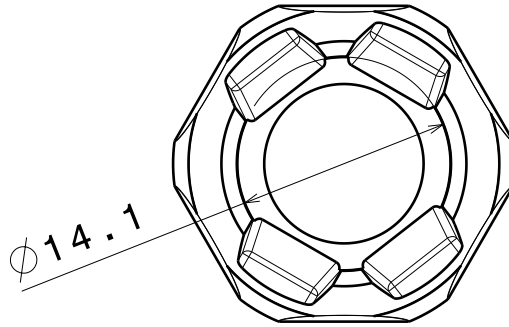
1

Guide profile for centering to LED



Recesses for solder pads/ screws

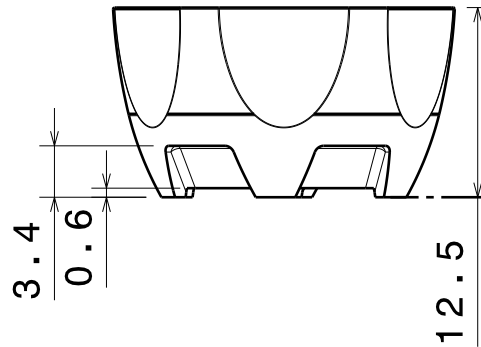
Bottom view



Ø14.1

Front view

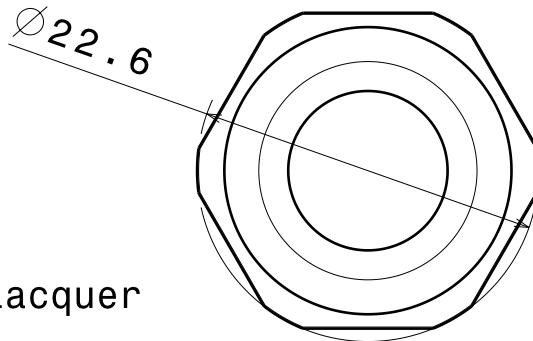
Top of PCB



3.4
0.6

12.5

Top view



Ø22.6

Material: PC
Coating: metal+clear lacquer

Versions;
C10982 Spot
C10983 Medium
C10984 Wide

This drawing is our property.
It can't be reproduced
or communicated without
our written agreement.



Ledil Oy
Tehdaskatu 13
FIN-24100 SALO
Finland

DRAWING TITLE

Datasheet Cindy L230 Reflector

DRAWN BY

pv

DATE

17.03.2010

CHECKED BY

tk

DATE

24.02.2010

DESIGNED BY

jj

DATE

07.08.2008

SIZE

A4

DRAWING NUMBER

10982, 10983, 10984

REV

2

SCALE

2:1

WEIGHT (g)

SHEET

1/1

D

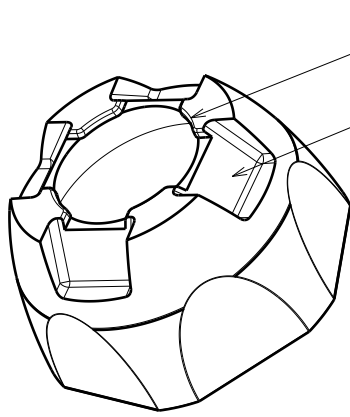
A

D

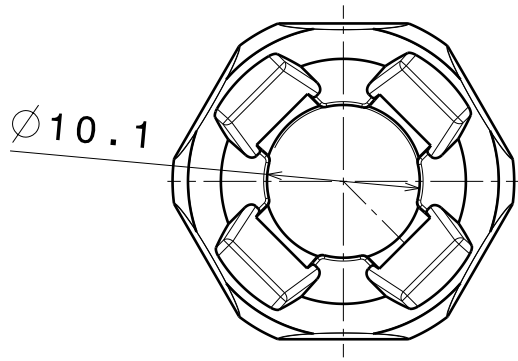
C

B

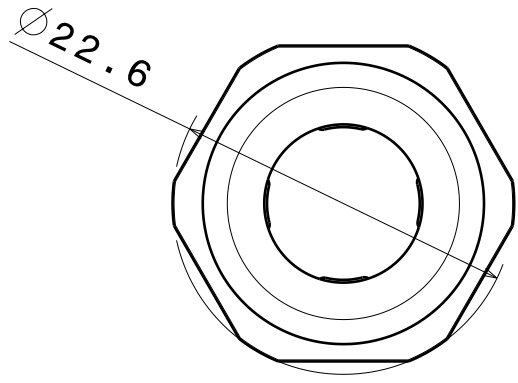
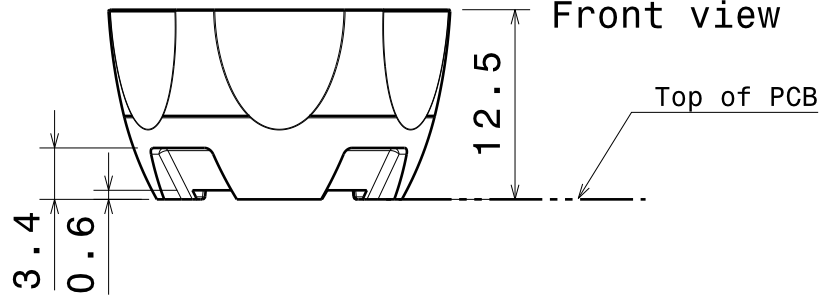
A



Bottom view



Front view



Top view

Material: PC
Coating: metal+clear lacquer

Versions;
C10859 Spot
C10980 Medium
C10981 Wide

This drawing is our property.
It can't be reproduced
or communicated without
our written agreement.



Ledil Oy
Tehdaskatu 13
FIN-24100 SALO
Finland

DRAWING TITLE

Datasheet Cindy L251 Reflector

| | |
|----------------|--------------------|
| DRAWN BY pv | DATE 17.03.2010 |
|----------------|--------------------|

| | |
|------------------|--------------------|
| CHECKED BY tk | DATE 24.02.2010 |
|------------------|--------------------|

| | |
|-------------------|--------------------|
| DESIGNED BY jj | DATE 07.08.2008 |
|-------------------|--------------------|

| | | |
|------------|---------------------------------------|----------|
| SIZE A4 | DRAWING NUMBER 10859, 10980, 10981 | REV 2 |
|------------|---------------------------------------|----------|

| | | |
|--------------|------------|--------------|
| SCALE 2:1 | WEIGHT (g) | SHEET 1/1 |
|--------------|------------|--------------|

D

A

4

4

3

3

2

2

1

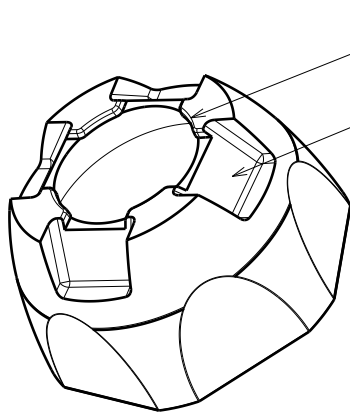
1

D

C

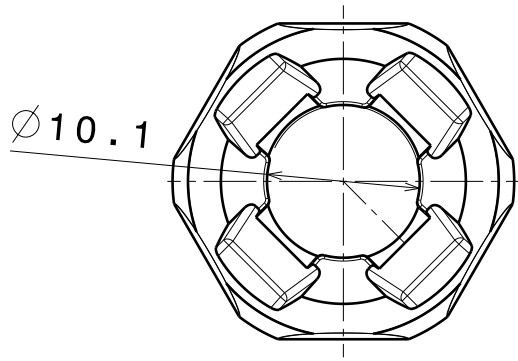
B

A

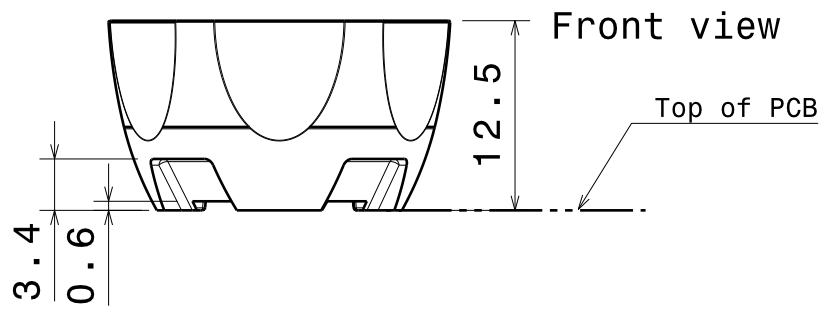


Guides for centering to LED
Recesses for solder pads/ screws

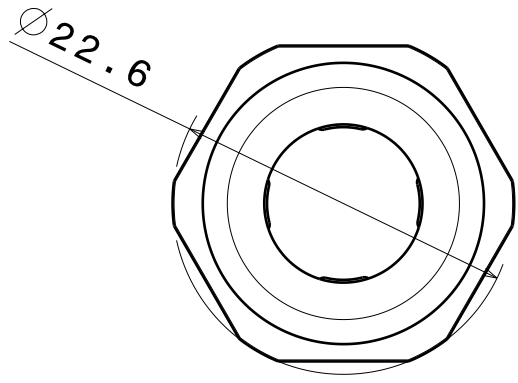
Bottom view



Front view



Top view



Material: PC
Coating: metal+clear lacquer

Versions;
C10859 Spot
C10980 Medium
C10981 Wide

This drawing is our property.
It can't be reproduced
or communicated without
our written agreement.



Ledil Oy
Tehdaskatu 13
FIN-24100 SALO
Finland

DRAWING TITLE

Datasheet Cindy L251 Reflector

DRAWN BY
pv
DATE
17.03.2010

CHECKED BY
tk
DATE
24.02.2010

DESIGNED BY
jj
DATE
07.08.2008

SIZE A4
DRAWING NUMBER 10859, 10980, 10981
REV 2

SCALE 2:1
WEIGHT (g)
SHEET 1/1

D

A

4

4

3

3

2

2

1

1

D

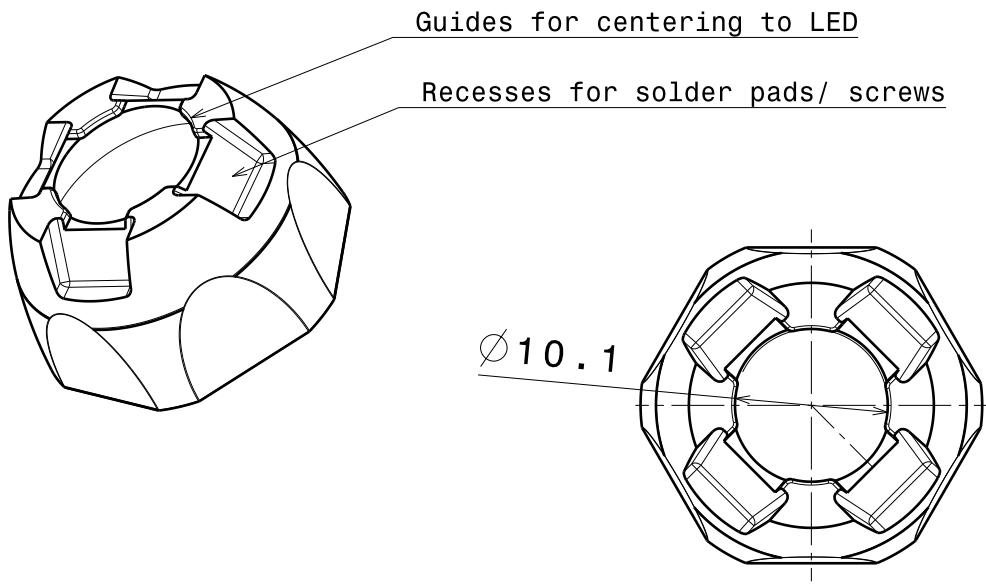
C

B

A

4

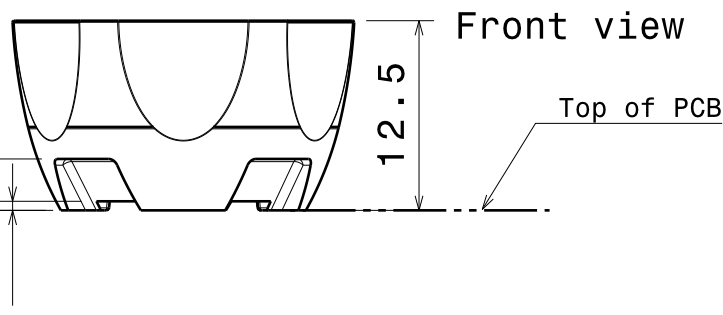
4



Bottom view

3

3



Top view

2

2

Material: PC
 Coating: metal+clear lacquer

Versions;
 C10859 Spot
 C10980 Medium
 C10981 Wide

This drawing is our property.
 It can't be reproduced
 or communicated without
 our written agreement.



Ledil Oy
 Tehdaskatu 13
 FIN-24100 SALO
 Finland

DRAWING TITLE

Datasheet Cindy L251 Reflector

1

1

| | |
|-------------------|--------------------|
| DRAWN BY pv | DATE 17.03.2010 |
| CHECKED BY tk | DATE 24.02.2010 |
| DESIGNED BY jj | DATE 07.08.2008 |

| | | |
|--------------|---------------------------------------|--------------|
| SIZE A4 | DRAWING NUMBER 10859, 10980, 10981 | REV 2 |
| SCALE 2:1 | WEIGHT (g) | SHEET 1/1 |

D

A

D

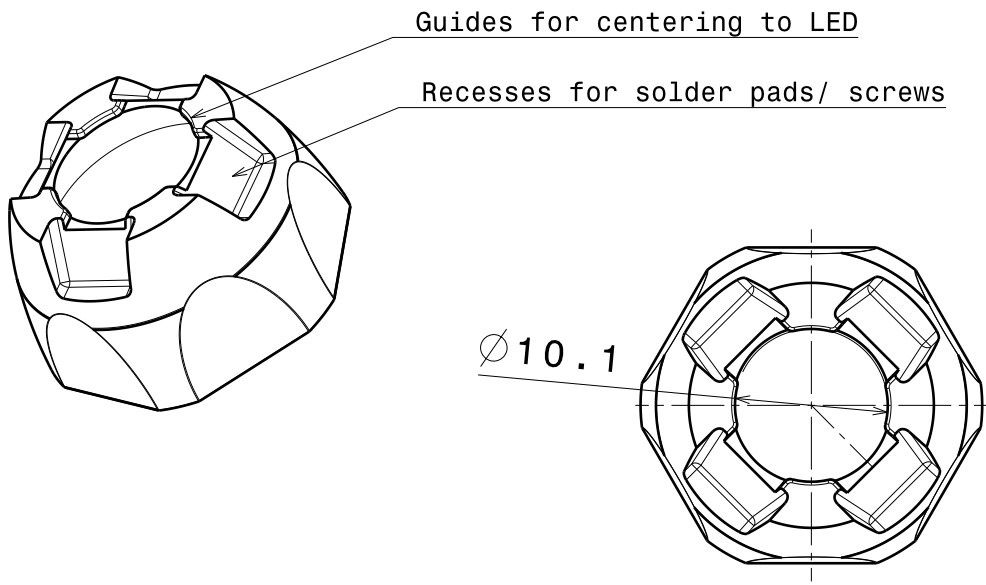
C

B

A

4

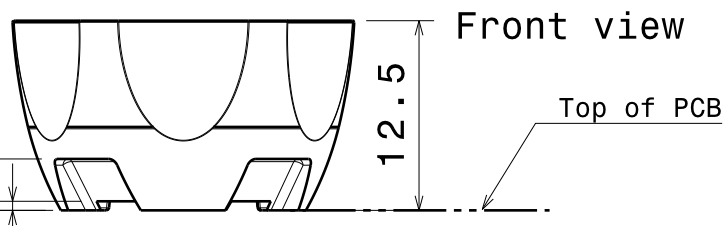
4



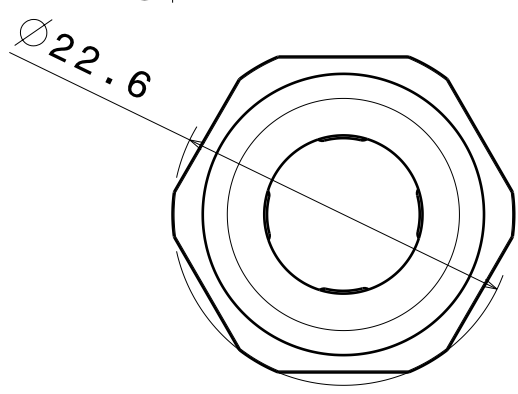
Bottom view

3

3



Front view



Top view

2

2

Material: PC
 Coating: metal+clear lacquer

Versions;
 C10859 Spot
 C10980 Medium
 C10981 Wide

This drawing is our property.
 It can't be reproduced
 or communicated without
 our written agreement.



Ledil Oy
 Tehdaskatu 13
 FIN-24100 SALO
 Finland

DRAWING TITLE

Datasheet Cindy L251 Reflector

1

1

| | |
|-------------------|--------------------|
| DRAWN BY pv | DATE 17.03.2010 |
| CHECKED BY tk | DATE 24.02.2010 |
| DESIGNED BY jj | DATE 07.08.2008 |

| | | |
|--------------|---------------------------------------|--------------|
| SIZE A4 | DRAWING NUMBER 10859, 10980, 10981 | REV 2 |
| SCALE 2:1 | WEIGHT (g) | SHEET 1/1 |

D

A