

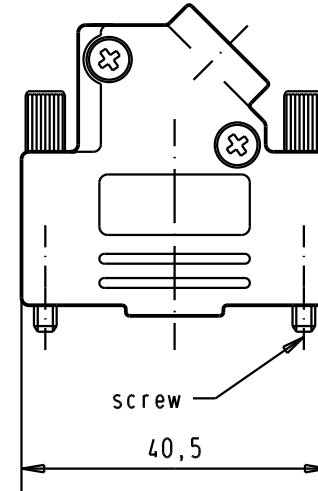
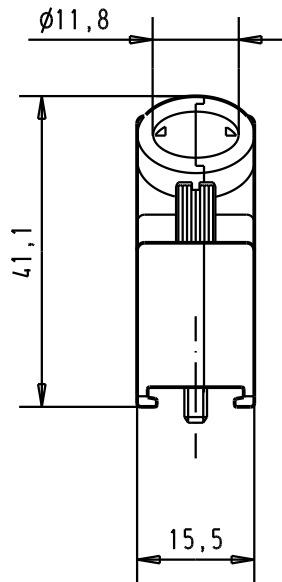
5

4

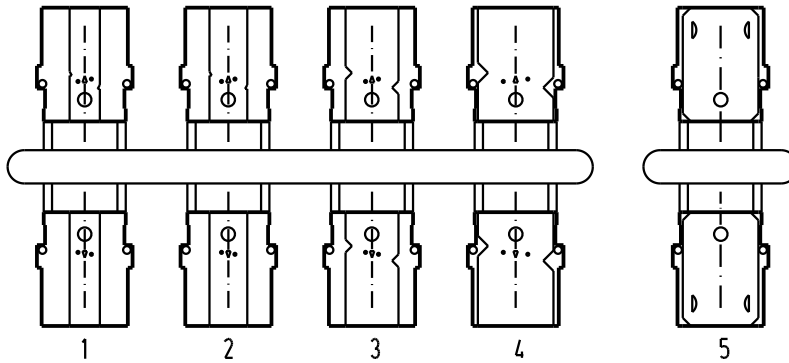
3

2

1



Grommet set halves



Grommet dimensions	
Number	Diameter
1	4,0
2	5,0
3	7,0
4	9,8
5	10,2

D

C

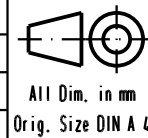
B

A

09 67 015 0336	M3
09 67 015 0333	4-40 UNC
Part number	screw thread

32325	03/11/04	TR
Mod.	Dat.	Name

	Dat.	Name
Detail.	03/11/04	TR
Insp.		
Stand.		
HARTING EURL F-95972 Paris		



D-Sub hood 15 poles
side entry full metal
die cast

TB 0967 015 033X

Sub. TB 09 67 015 0333

Maßstab/
Scale
1:1

Blatt/ Page
1/2