

# LET 75 12V/230-240V

# SPECIFICATIONS

## Standards

VDE and VDE-EMC approved  
CQC approval  
Transformer meets CE standards

## Available Version

901075240A-Standard Version

## Mechanical and Thermal

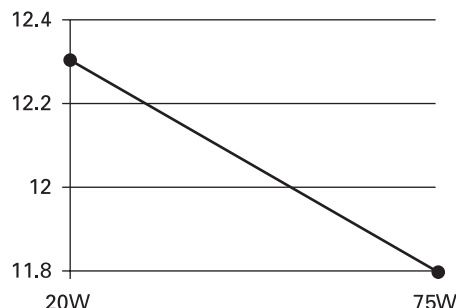
Dimensions (mm) 21 x 34 x 64  
Weight 100 grams  
Lead wire length 6"  
Tc Max 80°C  
Ta Max 50°C  
Output wire – Black 16AWG 150°C  
Input wire – Blue, Brown Fep+Fep 0.75mm<sup>2</sup>  
450V 180°C  
PC plastic casing



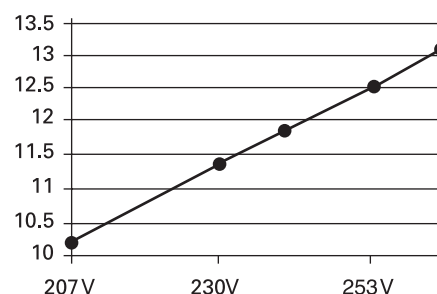
## Electrical

Maximum load 75W  
Minimum load with dimmer 20W  
Input 230-240V 50/60Hz  
Output at Max. load 11.8V 40kHz  
Input current at Max. load 0.32A  
Output current at Max. load 6.25A  
Power factor Min. 0.95  
Dimmable  
EMC (RFI) EN 55015  
Harmonics EN 61000  
Safety EN 61347  
Immunity EN 61547/61047  
SELV

## Output Voltage vs. Load at 240V

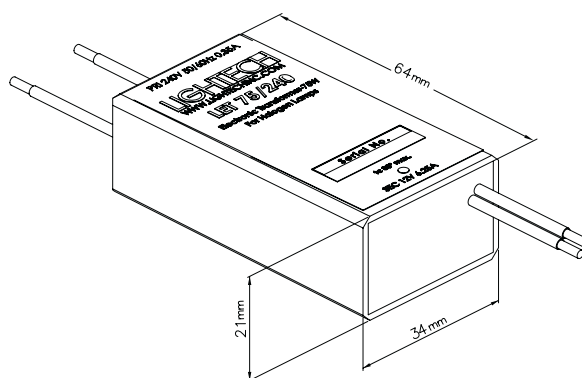


## Output vs. Input at Max. Load



## Short Circuit and Thermal Protection

Electronic internal resettable short circuit protection. Auto-Reset thermal cut-off @ 125C.



See reverse side for more information →

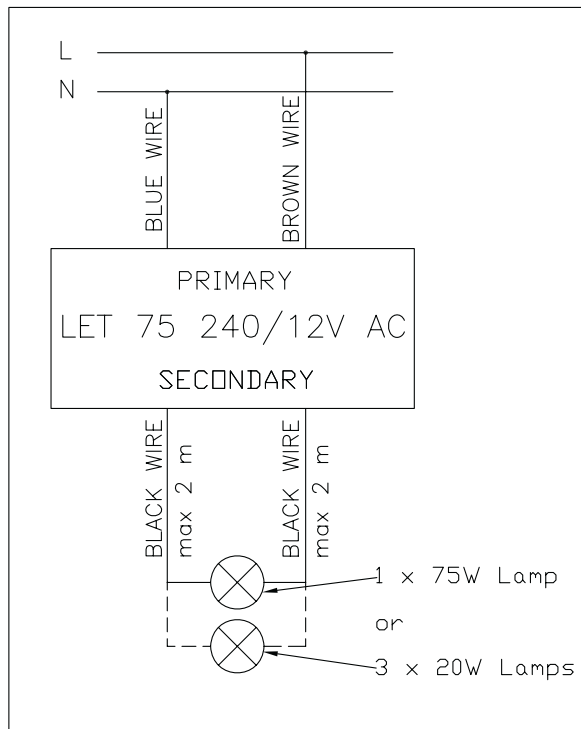
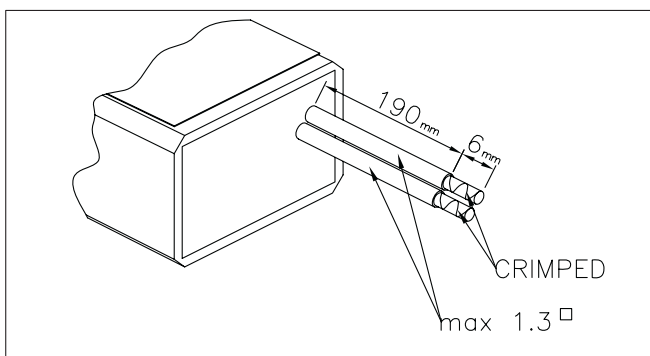
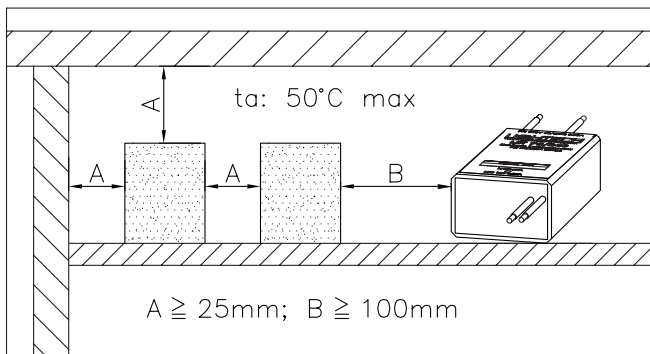


WWW.LIGHTTECHINC.COM

www.lighttechinc.com

# LET 75 12V/230-240V

## Mounting Instructions



## Safety Instructions:

1. Please note national installation regulations.
2. The measurement of secondary voltage can only be done with suitable measuring instruments.
3. Wire diameter:  
Input - 0.75mm<sup>2</sup>.  
Output - 1.3mm<sup>2</sup>.