

**MICRO SWITCH**  
a Honeywell Division

FED. MFG. CODE 91929

SWITCH-BASIC

CATALOG LISTING

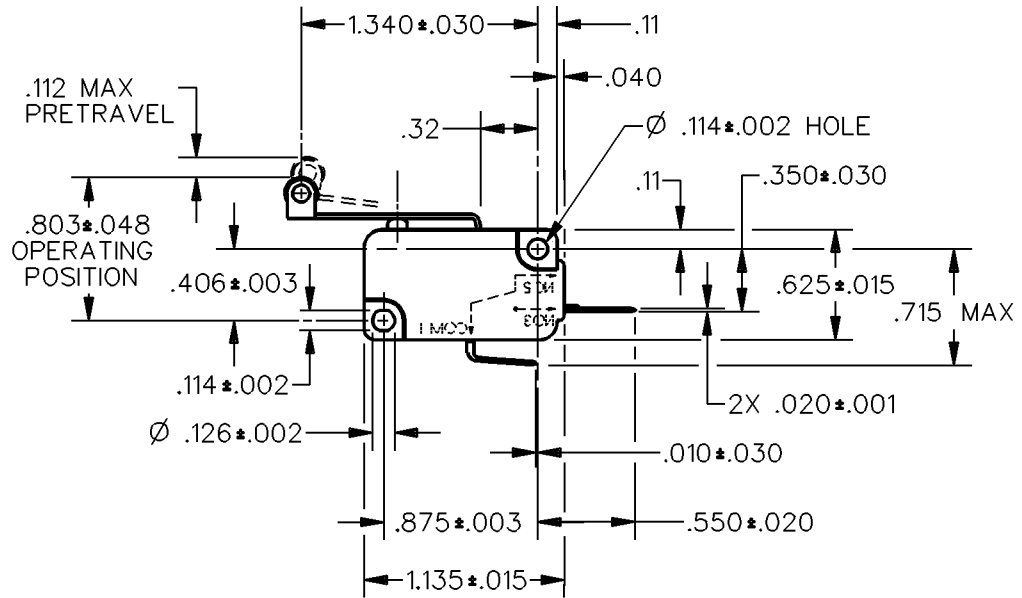
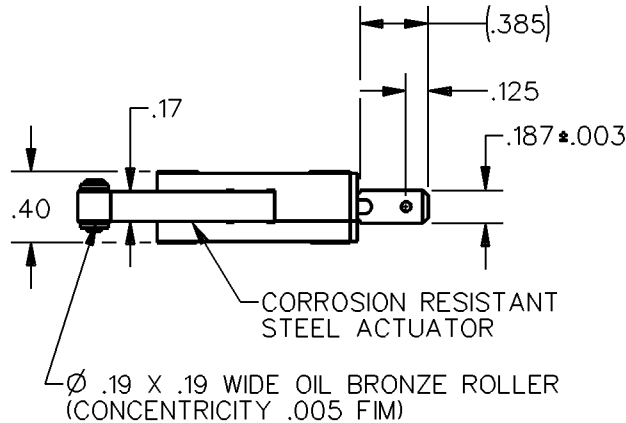
V7-1A27D8-207

CW-B0470

CATALOG LISTING  
V7-1A27D8-207  
REPLACES  
RELEASE NO. PR-19258  
ISSUE  
**M**  
2

REVISIONS  
A CO  
76440  
JWB  
30 NOV 93

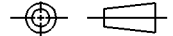
CHECK  
CHECK  
4 JUN 91  
D C S  
CHECK  
MAY 91  
DRAWN  
J A L 24




ANSI Y14.5M-1982 APPLIES

THIS DRAWING COVERS A PROPRIETARY ITEM AND IS THE PROPERTY OF MICRO SWITCH, A DIVISION OF HONEYWELL. THIS DRAWING IS NOT TO BE COPIED OR USED WITHOUT THE APPROVAL OF MICRO SWITCH.

THIRD ANGLE PROJECTION



CHARACTERISTICS	ELECTRICAL DATA CONTACT ARRANGEMENT S P N O	SCALE FULL	DO NOT SCALE PRINT
		<p><b>UNLESS OTHERWISE SPECIFIED TOLERANCES ARE</b></p> <p>ONE PLACE (.0) ±.030</p> <p>TWO PLACE (.00) ±.015</p> <p>THREE PLACE (.000) ±.005</p> <p>ANGLES ±</p> <p>WEIGHT</p>	
OPERATING FORCE --- 86 GRAMS MAX	L162 5A 125, 250, 277 VAC 1/10HP 250 VAC 		
RELEASE FORCE --- 9 GRAMS MIN			
DIFFERENTIAL TRAVEL --- .025 MAX			
OVERTRAVEL --- .064 MIN			
RELEASE TRAVEL --- .016 MIN			