



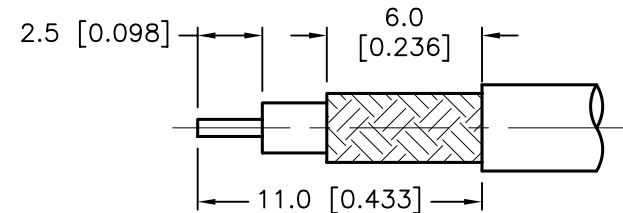
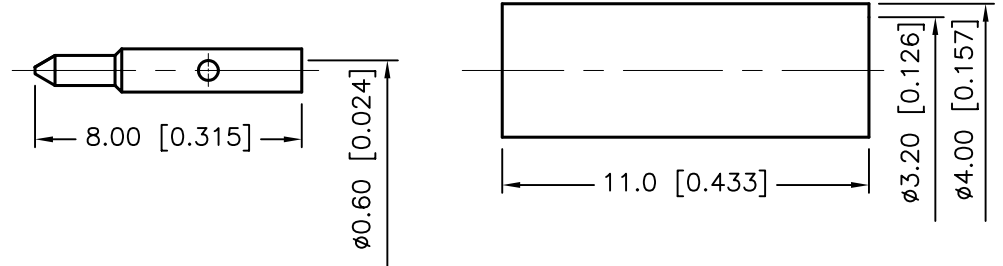
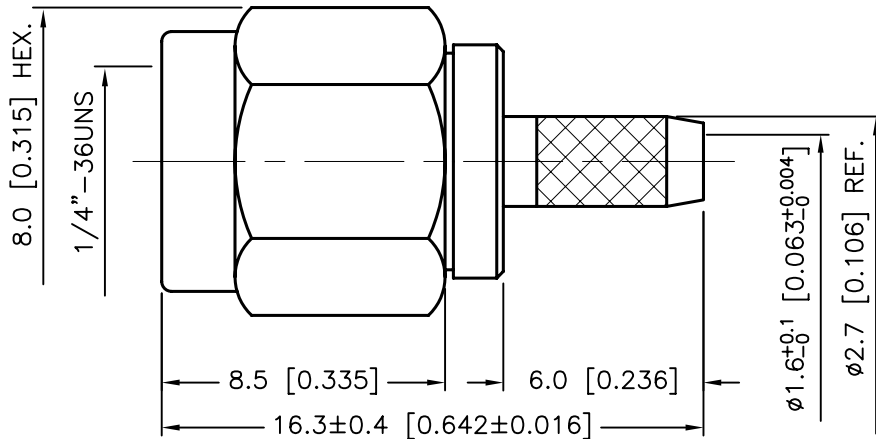
ALL RIGHTS RESERVED. NO PORTION OF THIS PUBLICATION, WHETHER IN WHOLE OR IN PART CAN BE REPRODUCED WITHOUT THE EXPRESS WRITTEN CONSENT OF SPC TECHNOLOGY.

SPC-F005.DWG

REVISIONS

DOC. NO. SPC-F005 * Effective: 7/8/02 * DCP No: 1398

DCP #	REV	DESCRIPTION	DRAWN	DATE	CHECKD	DATE	APPRVD	DATE
1902	A	RELEASED	EO	05/08/06	TL	06/15/06	HO	06/15/06



STRIPPING DIMENSION

7	CRIMP FERRULE	BRASS	1	NICKEL 100 μ" MIN.
6	CENTER CONTACT	BRASS	1	GOLD 100 μ" MIN.
5	BODY	BRASS	1	NICKEL 100 μ" MIN.
4	INSULATION	TEFLON	1	NONE
3	WASHER	STAINLESS STEEL	1	NONE
2	GASKET	SILICONE	1	RED
1	SHELL	BRASS	1	NICKEL 100 μ" MIN.
NO	DESCRIPTION	MATERIAL	Q'TY	FINISH

SPECIFICATIONS:

- 1- BODIES: BRASS PER JIS-C3604
- 2- CENTER CONTACT: BRASS PER JIS-C3604
- 3- CONNECTOR INTERFACE PER MIL-STD-348A
- 4- INSULATION: TEFLON PER ASTM D1457 AND ASTM D1710
- 5- CRIMP FERRULE: BRASS PER JIS-C2700
- 6- PART TO BE CLEAN AND FREE OF BURRS

DISCLAIMER:
ALL STATEMENTS AND TECHNICAL INFORMATION CONTAINED HEREIN ARE BASED UPON INFORMATION AND/OR TESTS WE BELIEVE TO BE ACCURATE AND RELIABLE. SINCE CONDITIONS OF USE ARE BEYOND OUR CONTROL, THE USER SHALL DETERMINE THE SUITABILITY OF THE PRODUCT FOR THE INTENDED USE AND ASSUME ALL RISK AND LIABILITY WHATSOEVER IN CONNECTION THEREWITH.

TOLERANCES:
.X=±0.2
.XX=±0.1
.XXX=±0.05
ANGLE=±5°

DRAWN BY: EKLAS ODISH
CHECKED BY: THOMAS LEE
APPROVED BY: HISHAM ODISH
DATE: 05/08/06
DATE: 06/15/06
DATE: 06/15/06

DRAWING TITLE: Coaxial Connector, SMA, Male, 50 Ohms, 3 Piece Construction, Crimp Style, RG174/U
SIZE: A
DWG. NO.: SPC20110
ELECTRONIC FILE: 82K9790.DWG
REV: A
SCALE: NTS
U.O.M.: mm [Inches]
SHEET: 1 OF 1