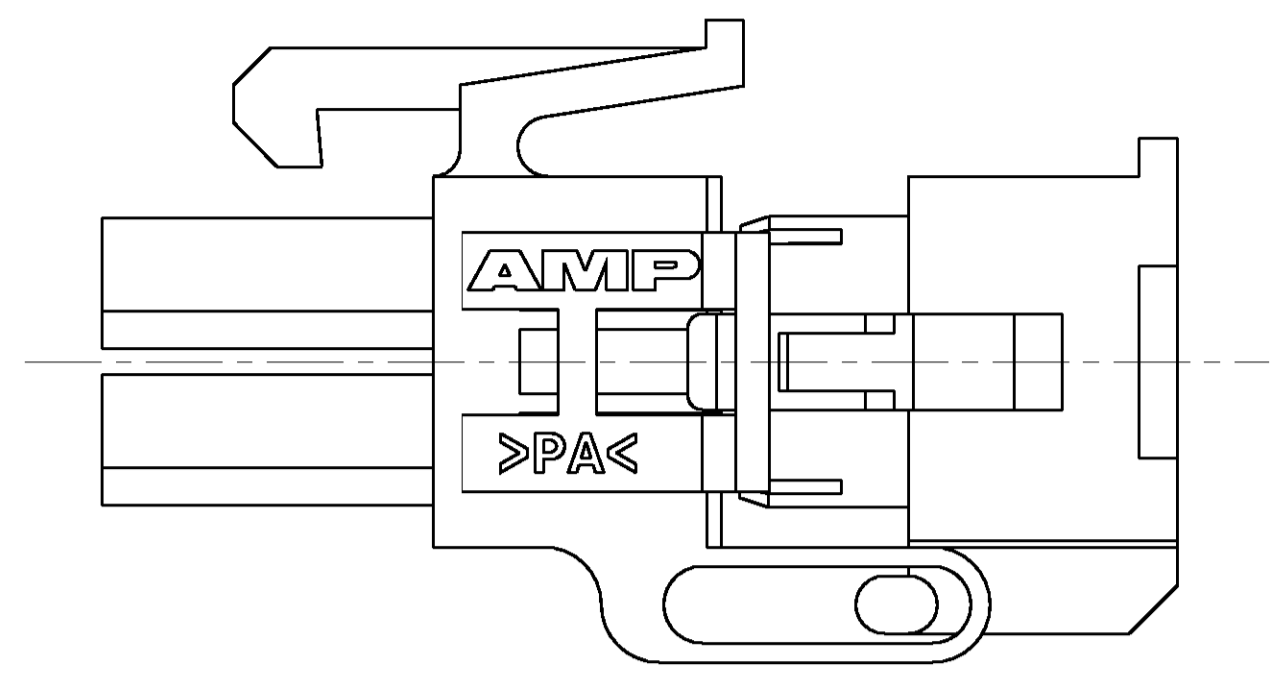
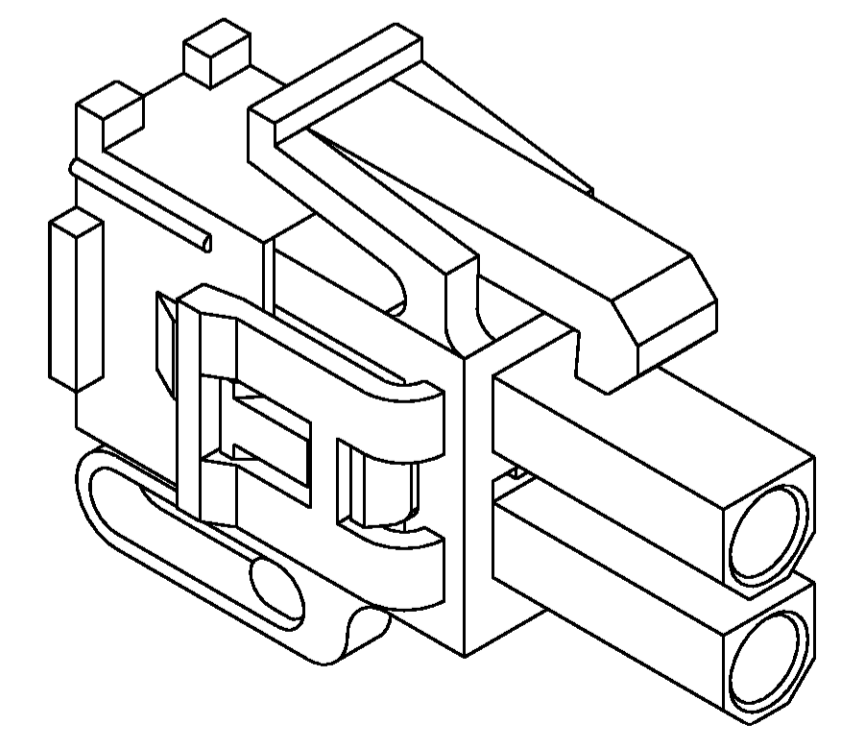
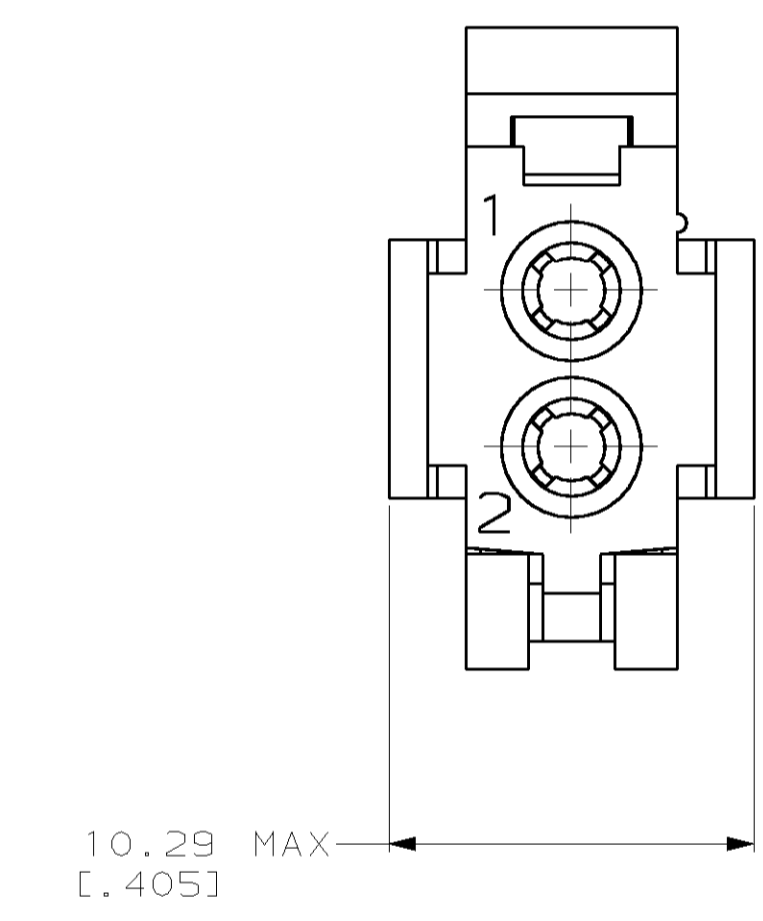
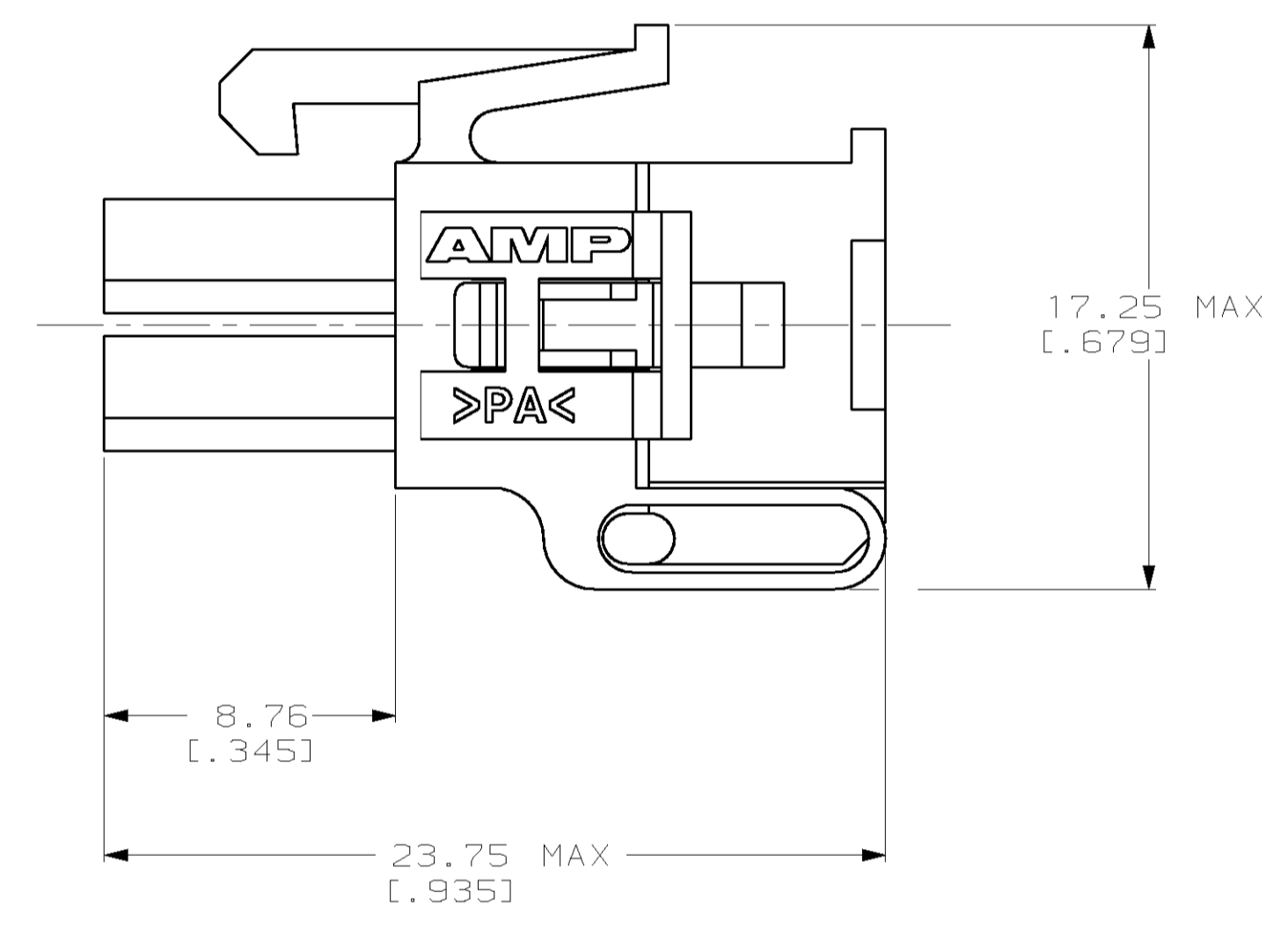
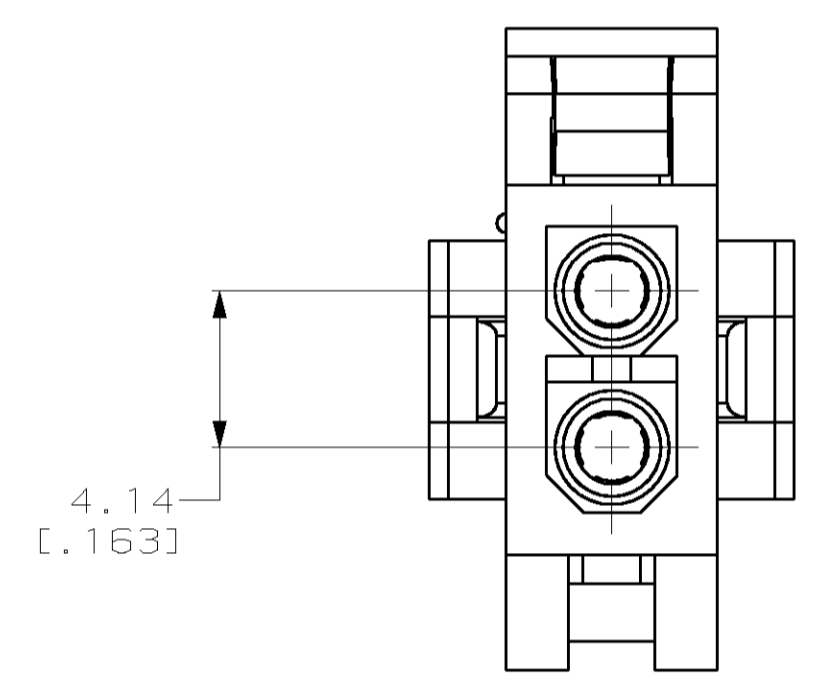


LOC	DIST	REVISIONS					
		REV	PER	EC	DATE	BY	APVD
CM	53	C	REV PER EC	061B-0094-99	23-SEP-99	KW	KC



PRE-STAGED CONDITION

1. DIMENSIONS IN BRACKETS ARE IN INCHES.



3-DIMENSIONAL MODEL
NTS

794184-1
PART NUMBER



THIS DRAWING IS A CONTROLLED DOCUMENT.		DWN K. WHITAKER 5-09-97	AMP Incorporated Harrisburg, PA 17105-3608
DIMENSIONS:		CHK R. SWING 5-09-97	
mm	TOLERANCES UNLESS OTHERWISE SPECIFIED:	APVD R. ORSTAD 5-09-97	NAME PLUG, 2 CIRCUIT, MINI UNIVERSAL MATE-N-LOK™ 2
0 PLC ±	1 PLC ±	PRODUCT SPEC	SIZE CAGE CODE DRAWING NO
2 PLC ±0.13 (.005)	3 PLC ±	APPLICATION SPEC	A1 00779 C-794184
4 PLC ±	ANGLES ±	RESTRICTED TO	SCALE 5:1 SHEET 1 OF 1 REV C
MATERIAL NYLON, UL 94V-0, NATURAL	FINISH -	WEIGHT -	CUSTOMER DRAWING