

NEW!

Datamet

Datamet Wall Cases

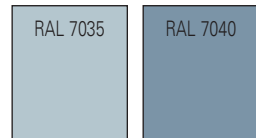
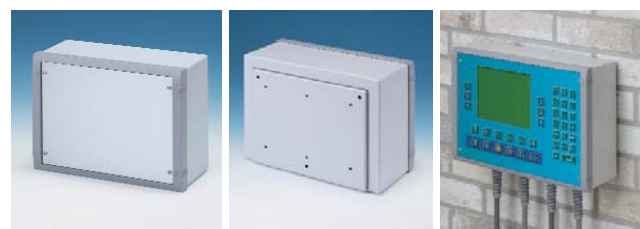
Modern aluminium enclosures designed for indoor applications. Provide total access to the electronics during installation on the wall. Stylish design with die-cast front bezel, top cover and 'L' shape rear panel. Front panels and internal mounting plates ordered separately.

Datamet Wandgehäuse

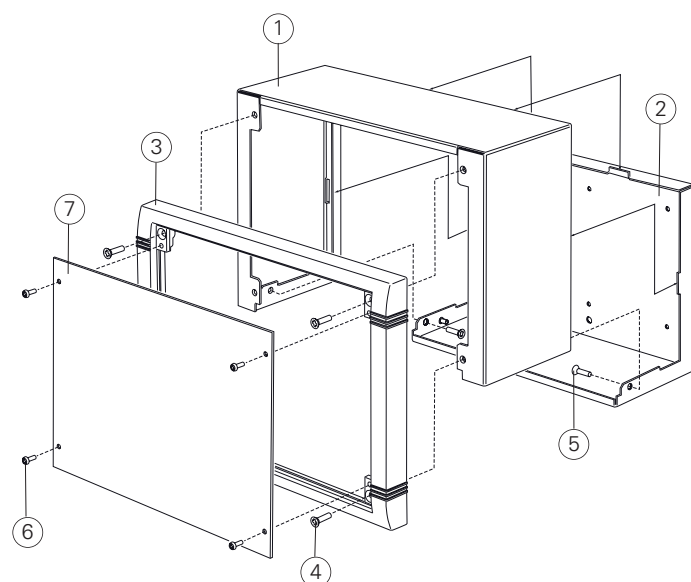
Moderne Aluminium-Gehäuse für Innenanwendungen. Elektronik während der Wandinstallation frei zugänglich. Elegantes Design mit Zink-Druckguss Frontrahmen, Haube und Rückplatte in L-Form. Front- und Montageplatten als Zubehör.

Boîtiers Muraux Datamet

Des boîtiers en aluminium modernes pour des applications dans l'intérieur. Accès à l'électronique sans barrière pendant l'installation au mur. Design élégant avec bandeaux frontales, partie supérieure et panneau arrière en forme L moulés sous pression. Panneaux frontales et plaques internes à commander séparément.

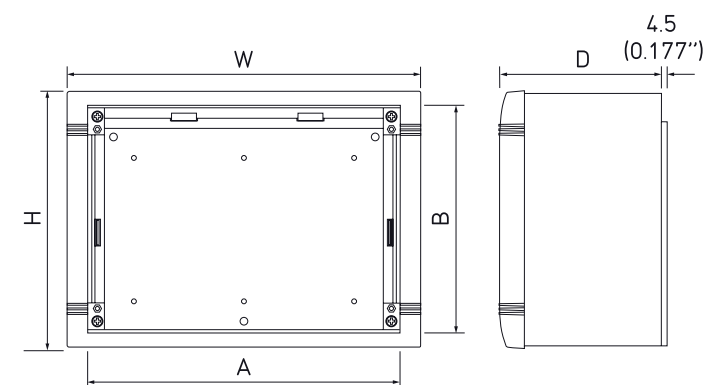


Standard colours
Standardfarben
Coloris standard



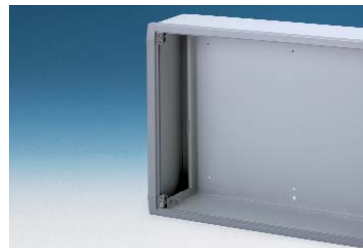
- | Supply | Lieferumfang | Fourniture |
|-------------------|-----------------|-------------------|
| ① Top cover | Oberteil | Partie supérieure |
| ② Rear panel | Rückplatte | Plaque arrière |
| ③ Front bezel | Frontrahmen | Cadre frontal |
| ④ M4 x 16 mm (x4) | M4 x 16 mm (x4) | M4 x 16 mm (x4) |
| ⑤ M4 x 6 mm (x2) | M4 x 6 mm (x2) | M4 x 6 mm (x2) |
| ⑥ M3 x 6 mm (x4) | M3 x 6 mm (x4) | M3 x 6 mm (x4) |
| ⑦ *Front panel | *Frontplatten | *Plaque avant |
| * Accessories | * Zubehör | * Accessoires |

Datamet



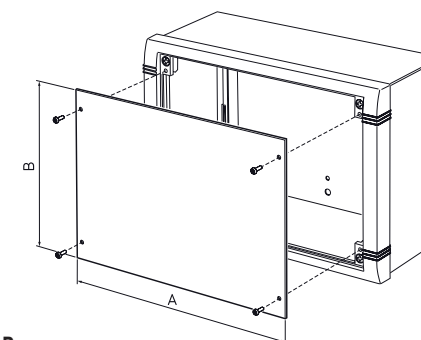
Part No.	Version	W	H	D	A	B
Bestell-Nr./Réf.						
M 58 25 105	S	250 (9.842")	180 (7.086")	116 (4.567")	220.7 (8.689")	160.8 (6.330")
M 58 35 105	M	350 (13.779")	250 (9.842")	116 (4.567")	320.7 (12.625")	230.8 (9.086")
M 58 40 105	L	450 (17.716")	300 (11.811")	116 (4.567")	420.7 (16.563")	280.8 (11.055")

Datamet



Front Panel

Frontplatten
Plaque Avant



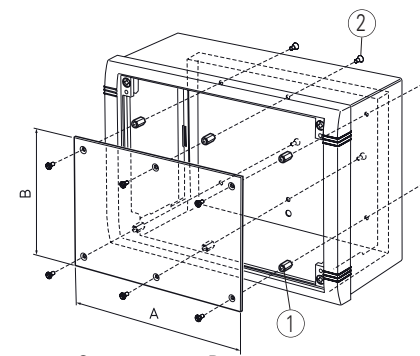
Part No.	Version	A	B
Bestell-Nr./Réf.			
M 58 00 025	S	220 (8.661")	159.5 (6.280")
M 58 00 035	M	320 (12.598")	229.5 (9.035")
M 58 00 040	L	370 (14.567")	279.5 (11.004")

Front Panel



Mounting Plate Kit

Montageplatten-Set
Kit De Plaque Support



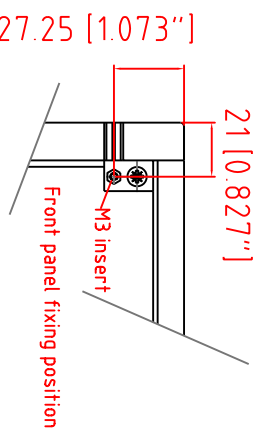
Supply: Mounting plate + ①x 6 + ②x 12
Lieferumfang: Montageplatten + ①x 6 + ②x 12
Fourniture: Plaque support + ①x 6 + ②x 12

Part No.	Version	A	B	C	D
Bestell-Nr./Réf.					
M 58 04 125	S	175 (6.890")	120 (4.724")		
M 58 04 135	M	275 (10.827")	190 (7.480")		
M 58 04 140	L	325 (12.795")	240 (9.449")		

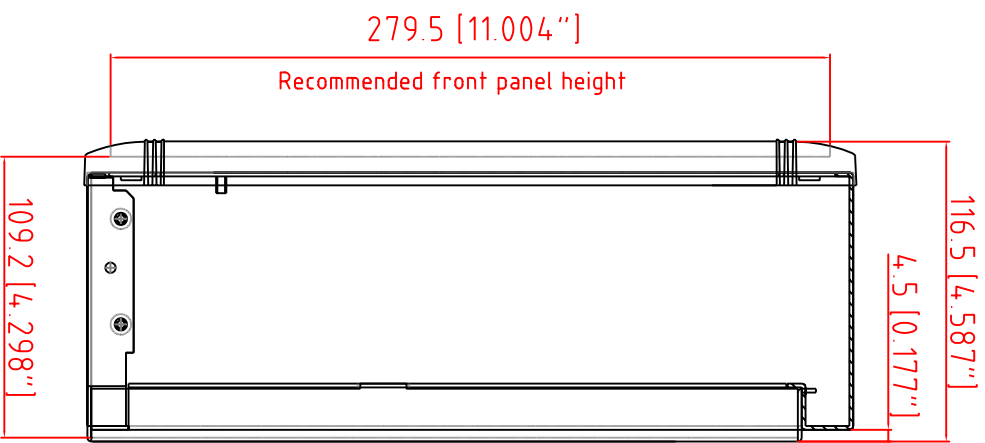
Mounting Plate Kit



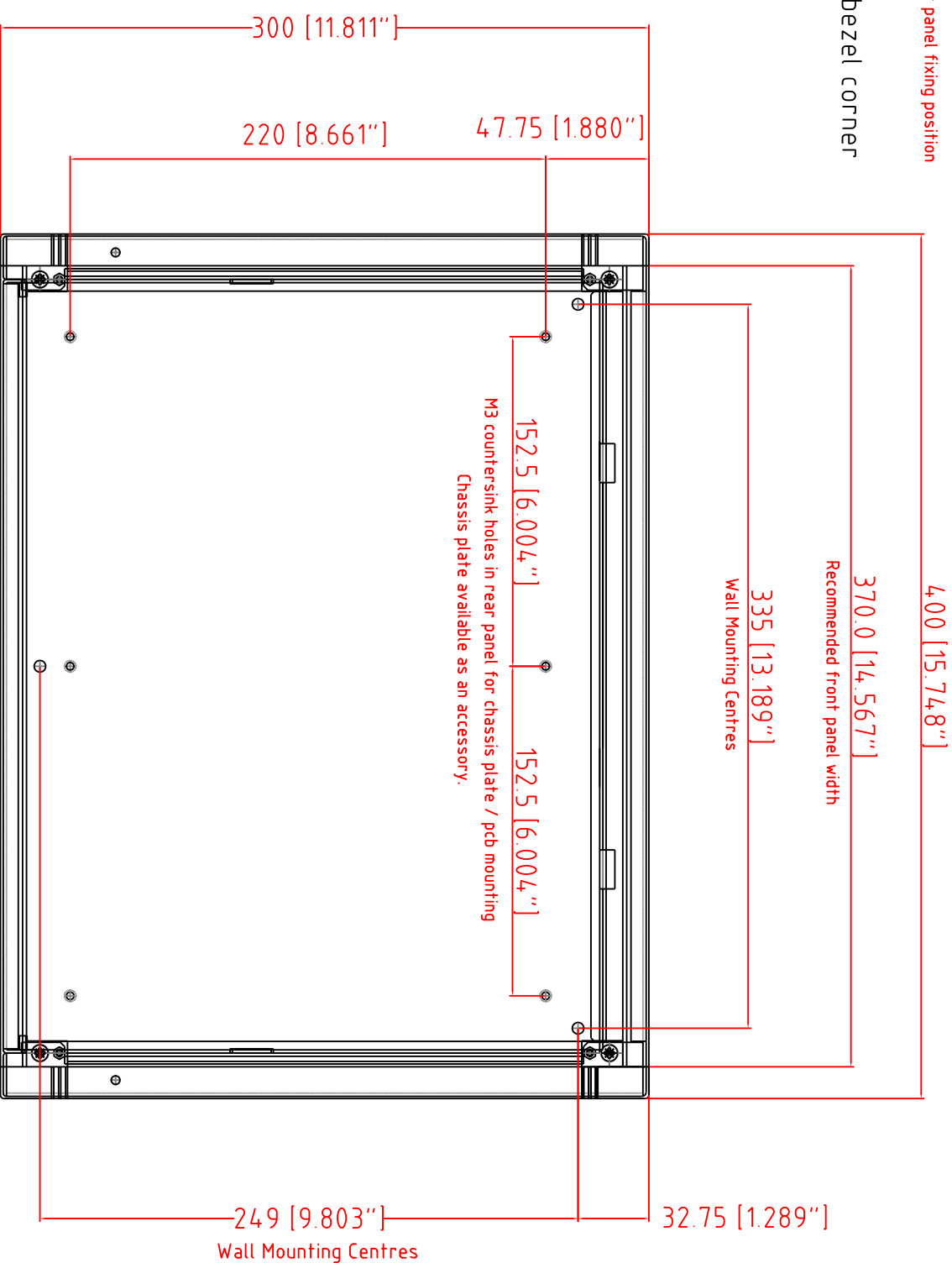
FIRST ANGLE PROJECTION



Scrap view of bezel corner



Part Section Side View



Assembly Front View.

Build & Finish.
All parts are made from aluminium, except hardware. The finish is fine texture epoxy polyester powder paint.
The case body is fabricated from 1.5mm material & then painted RAL 7035. The bezel is aluminium die castings & extrusions & then painted RAL 7040.

Geometry is set as blocks.

Each view has:

the rear cover/base - green

the side / top cover - magenta

the bezel assembly - blue

Tolerances unless otherwise stated:

General tolerances: ±0.20

Resultant tolerances between hole centers: ±0.15

Tolerances on hole diameters: ±0.05

Angles: ± 0.5°

Surface finish: 32/

Required Finish

See note

Scale

1:1

ALL DIMENSIONS IN MILLIMETRES

(Inches in brackets)

DO NOT SCALE

Drawn By:

Ian Cox

Checked By:

Drawing Number

Date drawn:

January '07

Material Spec

See note

Required Finish

See note

METCASE ENCLOSURES

15 Brunel Way,
Segensworth East, Fareham,
Hampshire, PO15 5TX, UK.

Part Name

Datamet L

Part Number

M5840105

Sheet 1 of 1

A0

OKW ENCLOSURES LTD (DATE AS SHOWN). THIS DRAWING CONTAINS PROPRIETARY INFORMATION OF OKW ENCLOSURES LTD AND IS TENDERED SUBJECT TO THE FOLLOWING CONDITIONS: THE INFORMATION BE RETAINED IN CONFIDENCE; NOT BE REPRODUCED OR COPIED; AND NOT BE USED OR INCORPORATED IN ANY PRODUCT, UNLESS PERMISSION IS OBTAINED IN WRITING FROM OKW ENCLOSURES LTD.