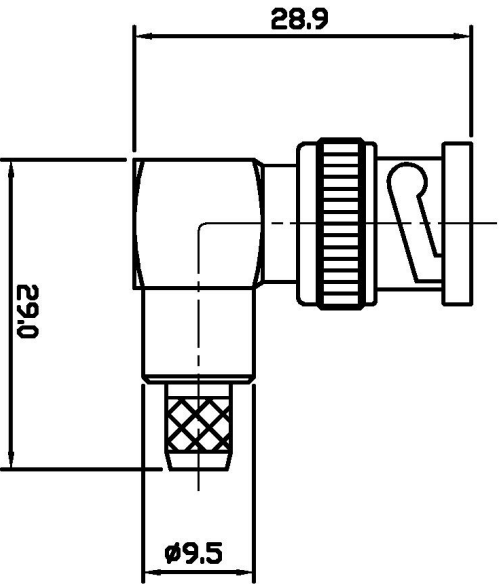


LOC	DIST	REVISIONS	DATE	DMN	APVD
E	B	P LTR			
		A	RELEASE FOR PRODUCTION	18.12.00	RS RG



▲ SUPPLIED SEMI-ASSEMBLED (PACK CONTAINS LOOSE PIECES)
 VIEW SHOWS ASSEMBLED CONNECTOR (CABLE OMITTED)
 FOR CABLE TO CONNECTOR ASSEMBLY GUIDANCE
 REFER TO TYCO INSTRUCTION SHEET IS 411 - 3247

ALL DIMENSIONS ARE NOMINAL. FOR REFERENCE ONLY.

DIE SET PART NUMBER	9-1478242-0
HANDTOOL PART NUMBER	9-1478240-0
FOR USE ON CABLES	RG58C/U, 141A/U, URM43, 76
CONNECTOR PLATING DETAIL	SILVER
CONTACT PLATING DETAIL	SILVER
DIELECTRIC MATERIAL	PTFE
GASKET MATERIAL	WHITE SILICONE RUBBER

THIS DRAWING IS A CONTROLLED DOCUMENT.	
DIMENSIONS: MM	TOLERANCES UNLESS OTHERWISE SPECIFIED:
	0 P/LC ±
	1 P/LC ±
	2 P/LC ±
	3 P/LC ±
	4 P/LC ±
	FINISH ±
MATERIAL	

DMN	18.12.00	R. SMITH	
CHK	18.12.00	R. GOODALL	
APVD	18.12.00	R. GOODALL	
PRODUCT SPEC	108-3435		
APPLICATION SPEC			
WEIGHT			
CUSTOMER DRAWING			
SIZE	A3	CAGE CODE	100779
DRAWING NO			1478075
SCALE	NTS	SHEET	1 OF 1
REV			A

BAG	SINGLE ITEM	1-1478075-0
PACK TYPE	DESCRIPTION	PART NUMBER

Tyco
 Tyco Electronics Corporation
 Stony Brook, Middlesex, H47 4RS

BNC ELB PLUG CRIMP RG58 50 OHM

RESTRICTED TO