



MOD-SNAP Line Jack Low Profile (LJLP) Module

Features and Benefits

The Ofitel GA5 approved MOD-SNAP Line Jack module is fully compatible with MOD-SNAP wallplate range, but is also ideal for floorbox and trunking applications due to the shallow depth of the KATT LJLP connector. Designed in accordance with BT specification D22150, the high quality contact and gas tight IDC connection combined to provide a robust product that offers reduced installation costs and increased flexibility. A labelling facility is provided which is compatible with industry standard 6mm label tapes, for a neat and professional finish. The PBX mastered version contains the necessary bell ring capacitor required for the application.

- Labelling facility
- Shuttered
- Compatible with existing range of MOD-SNAP
- Modules & accessories
- PBX mastered & secondary versions
- Robus low profile connector

Technical Information

Termination Tools:

Molex and other industry standard installation tools

IDC Terminations

Suitable for 0.4mm - 0.6mm solid or stranded cable, maximum o.d 1.5mm

Two wires may be terminated for daisy-chain applications. Patents pending on connector and module designs.

Mechanical Jack Connector

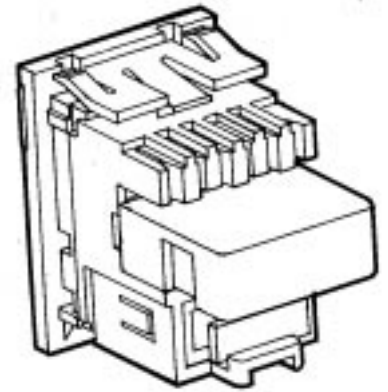
Operating Life : Minimum 1000 insertion cycles
 Contact Material : Phosphor Bronze
 Contact Plating : 1.25 micrometres Au/Ni
 Material : UL 94V0 Thermoplastic

IDC Connector

Operating Life : Minimum 100 Reterminations
 Contact Material : Phosphor Bronze
 Contact Plating : Sn/Pb over Ni
 Wire Accommodation: 2 x 24-26 AWG solid or stranded

Electrical

D.C. Resistance : <100mΩ
 (through 75mm of cordage)
 Insulation Resistance: >100MΩ
 Working Voltage: 200 Vdc
 Working Current: 250 mA dc (continuous)



Order No.	Description
42.10.012.A001*	MOD-SNAP Secondary Line Jack Low Profile (LJLP) Module (White)
42.10.012.A002*	MOD-SNAP Master Line Jack Low Profile (LJLP) Module (White)

Molex Premise Networks standard fascia colour is white. Other colours may be subject to minimum order quantities.

MOLEX PREMISE NETWORKS

Molex Premise Networks
 Corporate Headquarters
 Tel: 603 324 0200
 www.molexpn.com

Western Europe
 Headquarters
 Tel: 44 (0) 1489 572111
 www.molexpn.co.uk

Eastern Europe
 Headquarters
 Tel: 48 22 36 92 51
 www.molexpn.pl

Asia Headquarters
 Tel: 852 2637 3759
 www.molexpn.com.hk

South Pacific
 Headquarters
 Tel: 61 3 9747 8322
 www.molexpn.com.au

Molex Incorporated
 Tel: 630 969 4550
 www.molex.com