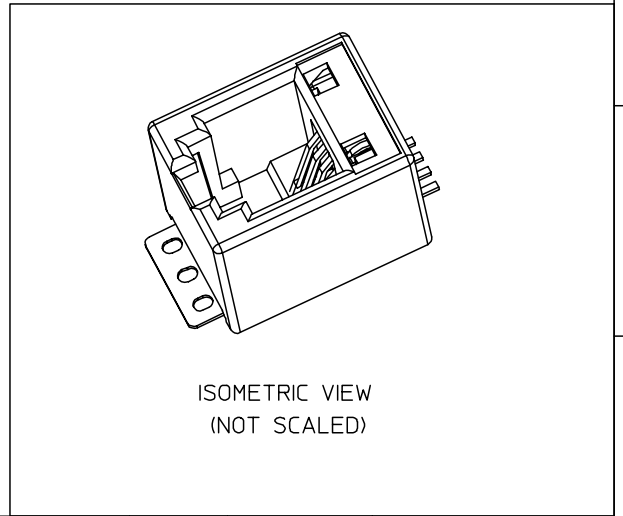
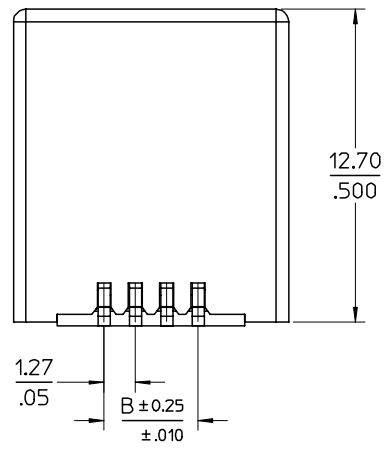


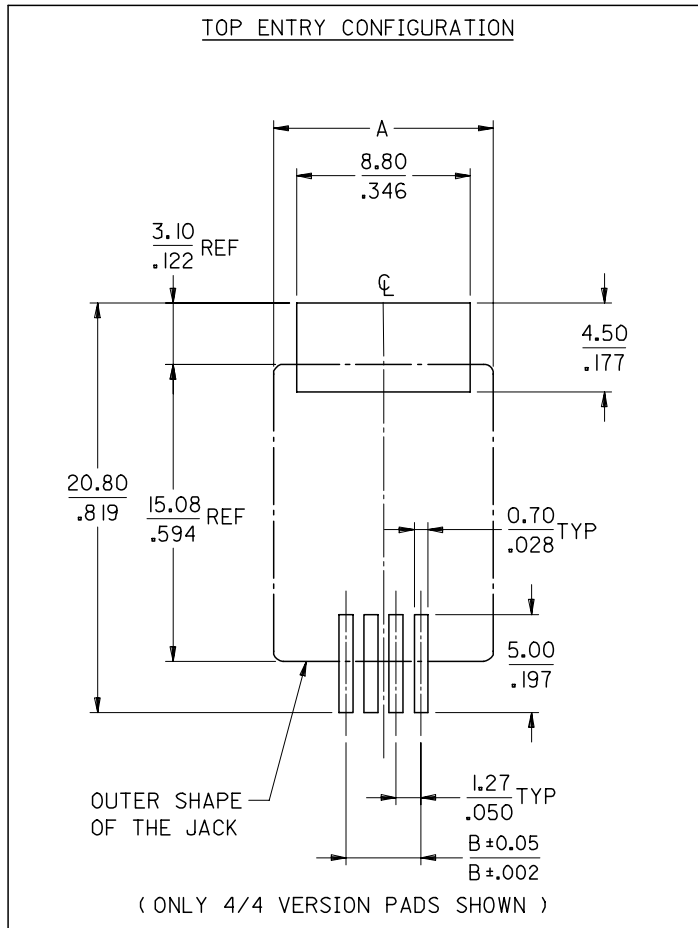
**NOTES:**

- 1- MATERIAL:
  - HOUSING:LCP GLASS FILLED UL 94-V0, COLOUR BLACK,
  - TERMINAL: BRASS PLATED WITH: 0.00127/.000050 MIN GOLD IN CONTACT AREA, 0.00190/.000075 MIN PURE TIN IN TAIL AREA, BOTH OVER 0.00127/.000050 MIN NICKEL OVERALL.
- 2- JACK FOR MATING WITH F.C.C.68 PLUGS (MOLEX 90075 SERIES).
- 3- PRODUCT SPECIFICATION: PS-85513-002.
- 4- PACKAGING SPECIFICATION (SEE CHART SHEET2):
  - PK-85513-001 SHEET 3 (BLISTER ON REEL 13")
  - PK-85513-001 SHEET 1 (BLISTER ON REEL 15")
  - PK-85513-001 SHEET 2 (BLISTER ON REEL 22")
- 5- FLAT SURFACE ON BOTH SIDES FOR PICK AND PLACE PURPOSE
- 6- COPLANARITY OF LEADS AND TABS: 0.10/.004 MAX
- 7- SEE RECOMMENDED PCB LAYOUT ON SHEET 2
- 8- FOR DRAWING PURPOSE, ONLY 4/4 VERSION SHOWN.
- 9- MANUFACTURING I.D CAN BE EITHER MXF,MG OR MXI.
- 10- APPLICATION SPEC AS-85513-001



MODIFIED MATERIAL. EC NO: E2007-0716 DRWN:DBYRNES 2007/02/15 CHKD: 2007/02/15 APPR:EOMAHONY 2007/02/15	QUALITY SYMBOLS	GENERAL TOLERANCES (UNLESS SPECIFIED)	DIMENSION STYLE	SCALE	DESIGN UNITS	THIRD ANGLE PROJECTION																		
	$\nabla=0$ $\sphericalangle=0$	<table border="1"> <thead> <tr> <th></th> <th>mm</th> <th>INCH</th> </tr> </thead> <tbody> <tr> <td>4 PLACES</td> <td>±---</td> <td>±---</td> </tr> <tr> <td>3 PLACES</td> <td>±---</td> <td>±.006</td> </tr> <tr> <td>2 PLACES</td> <td>±0.15</td> <td>±.010</td> </tr> <tr> <td>1 PLACE</td> <td>±0.25</td> <td>±---</td> </tr> <tr> <td colspan="3">ANGULAR ± 2 °</td> </tr> </tbody> </table>		mm	INCH	4 PLACES	±---	±---	3 PLACES	±---	±.006	2 PLACES	±0.15	±.010	1 PLACE	±0.25	±---	ANGULAR ± 2 °			MM/IN	5:1	METRIC	
		mm	INCH																					
	4 PLACES	±---	±---																					
3 PLACES	±---	±.006																						
2 PLACES	±0.15	±.010																						
1 PLACE	±0.25	±---																						
ANGULAR ± 2 °																								
<table border="1"> <thead> <tr> <th>DRAWN BY</th> <th>DATE</th> <th>TITLE</th> </tr> </thead> <tbody> <tr> <td>DBYRNES</td> <td>2006/08/17</td> <td rowspan="3">LOW PROFILE TOP ENTRY TRUE SMT JACK WITH P&amp;P SURFACE(SHORT VERSION)</td> </tr> <tr> <td>CHECKED BY</td> <td>DATE</td> </tr> <tr> <td>EOMAHONY</td> <td>2006/08/17</td> </tr> <tr> <td colspan="2">APPROVED BY</td> <td>DATE</td> </tr> <tr> <td colspan="2">EOMAHONY</td> <td>2006/08/17</td> </tr> </tbody> </table>	DRAWN BY	DATE	TITLE	DBYRNES	2006/08/17	LOW PROFILE TOP ENTRY TRUE SMT JACK WITH P&P SURFACE(SHORT VERSION)	CHECKED BY	DATE	EOMAHONY	2006/08/17	APPROVED BY		DATE	EOMAHONY		2006/08/17								
DRAWN BY	DATE	TITLE																						
DBYRNES	2006/08/17	LOW PROFILE TOP ENTRY TRUE SMT JACK WITH P&P SURFACE(SHORT VERSION)																						
CHECKED BY	DATE																							
EOMAHONY	2006/08/17																							
APPROVED BY		DATE																						
EOMAHONY		2006/08/17																						
		DRAFT WHERE APPLICABLE MUST REMAIN WITHIN DIMENSIONS	SEE CHART		MOLEX INCORPORATED																			
			SIZE A3	THIS DRAWING CONTAINS INFORMATION THAT IS PROPRIETARY TO MOLEX INCORPORATED AND SHOULD NOT BE USED WITHOUT WRITTEN PERMISSION																				

RECOMMENDED PCB LAYOUTS  
(SEE FROM COMPONENT SIDE)



PART. NO.	HOUSING SIZE	LOADED CKTS	TOOLED	A	B	PACKAGING	PACKAGING SPEC.
85513-5013	8	8	YES	15.24 .600	8.89 .350	BLISTER ON REEL 13"	PK-85513-001 SHEET 3
85513-5001			YES			BLISTER ON REEL 15"	PK-85513-001 SHEET 1
85513-5009			YES			BLISTER ON REEL 22"	PK-85513-001 SHEET 2
85513-5014	6	6	YES	13.21 .520	6.35 .250	BLISTER ON REEL 13"	PK-85513-001 SHEET 3
85513-5002			YES			BLISTER ON REEL 15"	PK-85513-001 SHEET 1
85513-5010			YES			BLISTER ON REEL 22"	PK-85513-001 SHEET 2
85513-5015	6	4	YES	13.21 .520	3.81 .150	BLISTER ON REEL 13"	PK-85513-001 SHEET 3
85513-5003			YES			BLISTER ON REEL 15"	PK-85513-001 SHEET 1
85513-5011			YES			BLISTER ON REEL 22"	PK-85513-001 SHEET 2
85513-5016	4	4	YES	11.18 .440	3.81 .150	BLISTER ON REEL 13"	PK-85513-001 SHEET 3
85513-5004			YES			BLISTER ON REEL 15"	PK-85513-001 SHEET 1
85513-5012			YES			BLISTER ON REEL 22"	PK-85513-001 SHEET 2

SEE SHEET 1 EC NO: E2007-0716 DRWN:DBYRNES 2007/02/15 CHKD: 2007/02/15 APPR:EOMAHONY 2007/02/15	QUALITY SYMBOLS ▽=0 ◻=0	GENERAL TOLERANCES (UNLESS SPECIFIED) mm INCH 4 PLACES ± --- ± --- 3 PLACES ± --- ± .006 2 PLACES ± 0.15 ± .010 1 PLACE ± 0.25 ± --- ANGULAR ± 2 °	DIMENSION STYLE MM/IN DRAWN BY DATE DBYRNES 2006/08/17 CHECKED BY DATE EOMAHONY 2006/08/17 APPROVED BY DATE EOMAHONY 2006/08/17	SCALE 1:1 DESIGN UNITS METRIC THIRD ANGLE PROJECTION	TITLE LOW PROFILE TOP ENTRY TRUE SMT JACK WITH P&P SURFACE(SHORT VERSION)	MOLEX INCORPORATED	MATERIAL NO. SEE CHART	DOCUMENT NO. SD-85513-010	SHEET NO. 2 OF 2
	DRAFT WHERE APPLICABLE MUST REMAIN WITHIN DIMENSIONS	SIZE A3	THIS DRAWING CONTAINS INFORMATION THAT IS PROPRIETARY TO MOLEX INCORPORATED AND SHOULD NOT BE USED WITHOUT WRITTEN PERMISSION						