

378 4472

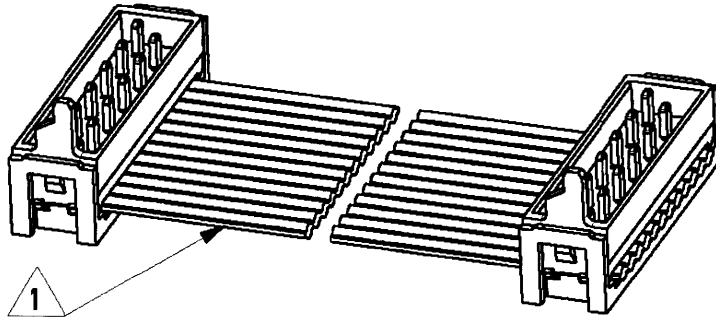
THIS DRAWING IS A CONTROLLED DOCUMENT FOR Tyco Electronics Nederland B.V.
IT IS SUBJECT TO CHANGE AND THE CONTROLLING ENGINEERING ORGANIZATION SHOULD BE CONTACTED FOR THE LATEST REVISION.

LOC	DIST	LTR	REVISION RECORD	DATE	APVD
H	-	A	EH00-1269-01	19/11/01	HS
-	-	-	-	-	-
-	-	-	-	-	-

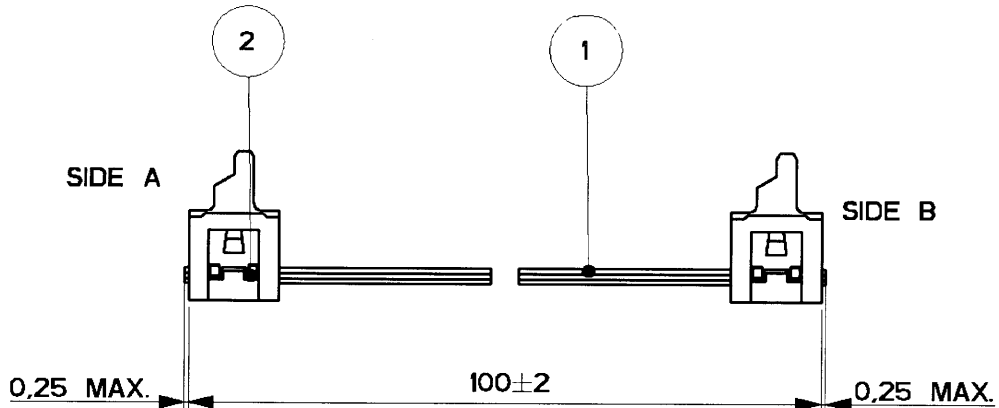
1 WIRE RED MARKED

2 ASSEMBLIES ARE PACKAGED ACCORDING PACKAGING SPEC 107-19582

SIDE A



SIDE B



Item no.	Description	Q'TY
2	MALE ON WIRE CONNECTOR	2
1	BULK WIRE FLAT RIBBON CABLE	1

DIMENSIONS: mm	DWN	H.Spelde	MATERIAL	FINISH	
	CHK	H. Spelde	AMP Tyco Electronics Nederland B.V. 'S-HERTOGENBOSCH, THE NETHERLANDS		
TOLERANCES UNLESS OTHERWISE SPECIFIED:	APVD	E. Leijtens			NAME
0 PLC ± -	PRODUCT SPEC	-	SIZE	CAGE CODE	DRAWING NO
1 PLC ± -	APPLICATION SPEC	-	A4	00779	C-1483354-1
2 PLC ± -	WEIGHT	-	CUSTOMER DRAWING		
3 PLC ± -			SCALE	5:2	SHEET 1 OF 1
4 PLC ± -			REV A		
ANGLES ± -					

XXXXXXXXXXXX DATE: -
 ALL RIGHTS RESERVED.
 By Tyco Electronics Nederland B.V.

THIS DRAWING IS UNPUBLISHED.
 COPYRIGHT -