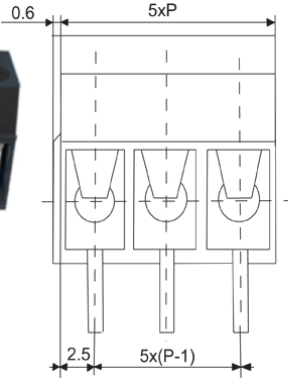
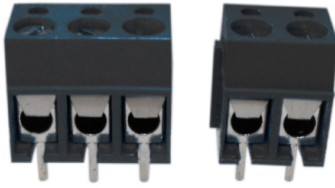


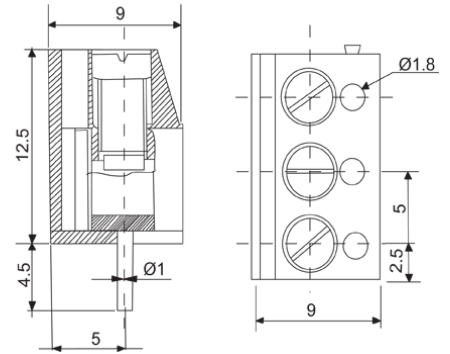
5 mm Pitch Standard Profile Terminal Block

- 2 & 3 pole interlocking
- Test probe facility
- Moulded in black
UL94V-0 PA (GF)
- Wire protector terminals
- UL approved
- Guided pin alignment

CTB1202



CTB1202 series



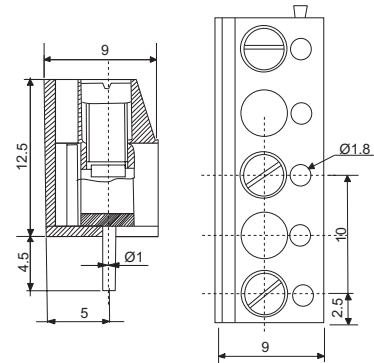
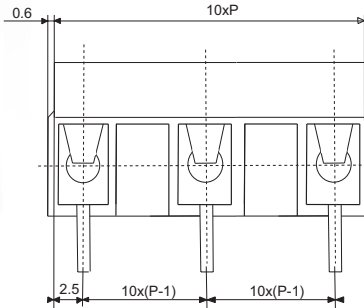
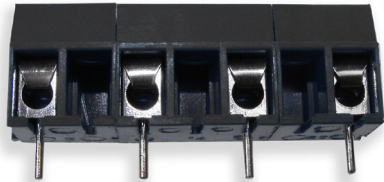
Type No.	Poles	Length
CTB1202/2	2	10mm
CTB1202/3	3	15mm
CTB1202/4	4	20mm
CTB1202/5	5	25mm
CTB1202/6	6	30mm
CTB1202/7	7	35mm
CTB1202/8	8	40mm
CTB1202/9	9	45mm
CTB1202/10	10	50mm
CTB1202/11	11	55mm
CTB1202/12	12	60mm

Rating	250V/16A
Insulation resistance	5000M Ω at 1000V
Operating temperature	-33°C to 120°C
Cable entry	2mm ²
Withstand Voltage	AC2000V/1Min
Recommended PCB hole size	ø1.3mm ²

10mm Pitch Standard Profile Terminal Block

- Test probe facility
- Moulded in black
UL94V-0 PA (GF)
- Wire protector terminals
- UL approved
- Guided pin alignment

CTB2202 series



Rating	250V/16A
Insulation resistance	5000M Ω at 1000V
Operating temperature	-30°C to 120°C
Wire Protector	Stainless Steel
Cable entry	2mm ²
Withstand Voltage	AC2000V/1Min
Recommended PCB hole size	ø1.3mm

Type No.	Poles	Length
CTB2202/2	2	20mm
CTB2202/3	3	30mm
CTB2202/4	4	40mm
CTB2202/5	5	50mm
CTB2202/6	6	60mm
CTB2202/7	7	70mm
CTB2202/8	8	80mm
CTB2202/9	9	90mm
CTB2202/10	10	100mm
CTB2202/11	11	110mm
CTB2202/12	12	120mm

Tel: +44 (0)1638 716101 Fax: +44 (0)1638 716554

E-mail: camdeninfo@camdenelec.com Website: www.camdenelec.com

E-mail: enquiry@boss-enclosures.co.uk Web: www.boss-enclosures.co.uk

Because we operate a constant improvement policy, our products are subject to change without notice.