

# DC 6015



**SIZE :**

60x60x15mm (2.36"x2.36"x0.59")

**CONSTRUCTION :**

Glass fiber reinforced plastic:

Impeller and housing PBT are UL 94V-0 rating

**OPERATING TEMPERATURE :**

Ball bearing - 30°C to +75°C

Sleeve bearing - 10°C to +70°C

**INSULATION RESISTANCE :**

10meg Ohm min. at 500 VDC

(between frame and terminal)

**DIELECTRIC STRENGTH :**

5mA max. at 500 VAC 60Hz one minute

(between frame and terminal)

**FUNCTION :**

frequency generator signal option

**WEIGHT :**

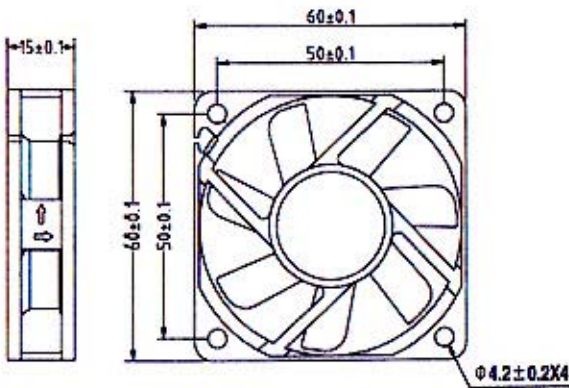
35 grams

## Specifications

Specifications are subject to change without notice

| MODEL NO. | BEARING       | RATED VOLTAGE | OPERATING VOLTAGE RANGE | RATED CURRENT | RATED INPUT POWER | SPEED<br>R.P.M. | MAX. AIR FLOW       |       | MAX. AIR PRESSURE  |                     | NOISE<br>dB-A |
|-----------|---------------|---------------|-------------------------|---------------|-------------------|-----------------|---------------------|-------|--------------------|---------------------|---------------|
|           |               | VDC           | V                       | A             | W                 |                 | m <sup>3</sup> /min | CFM   | mmH <sub>2</sub> O | IN H <sub>2</sub> O |               |
| BP601512M | Ball          | 12            | 10.2-13.8               | 0.16          | 1.92              | 4000            | 0.57                | 20.22 | 2.70               | 0.106               | 28.7          |
| BS601512M | Ball & Sleeve | 12            | 10.2-13.8               | 0.16          | 1.92              | 4000            | 0.57                | 20.22 | 2.70               | 0.106               | 28.7          |
| BP601512H | Ball          | 12            | 10.2-13.8               | 0.18          | 2.16              | 4500            | 0.63                | 22.40 | 3.30               | 0.130               | 32.3          |
| BS601512H | Ball & Sleeve | 12            | 10.2-13.8               | 0.18          | 2.16              | 4500            | 0.63                | 22.40 | 3.30               | 0.130               | 32.3          |

### Dimensions (mm)



### Performance Curve

