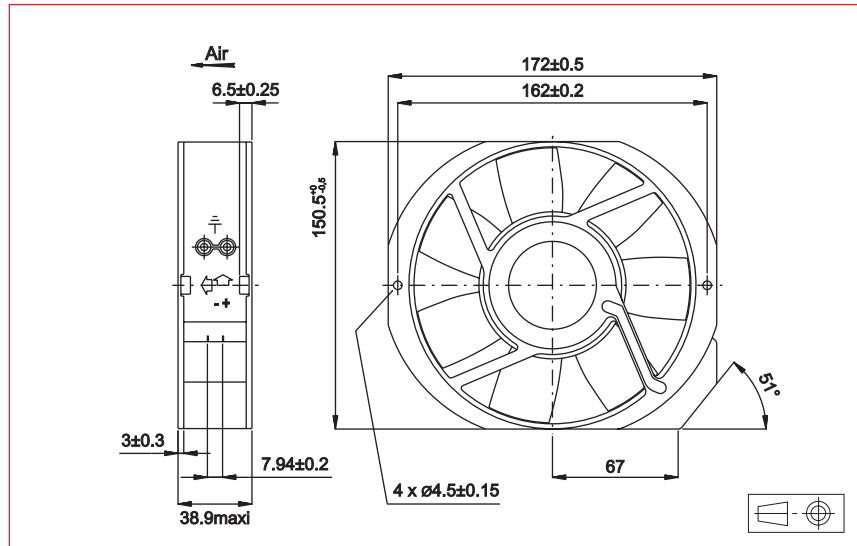


6,77" x 5,905" x 1,496" 172 x 150 x 38 mm

121D
148D

ETRI[®]

DC Axial Fans



Approvals



Life expectancy

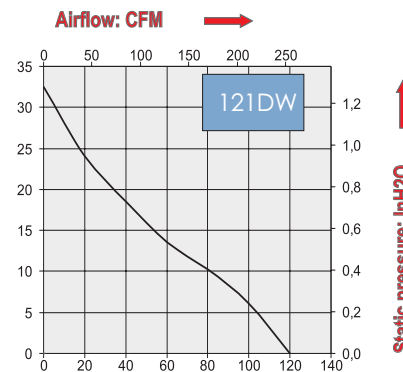
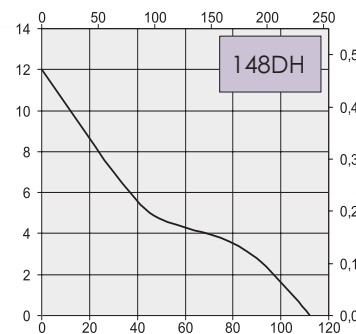
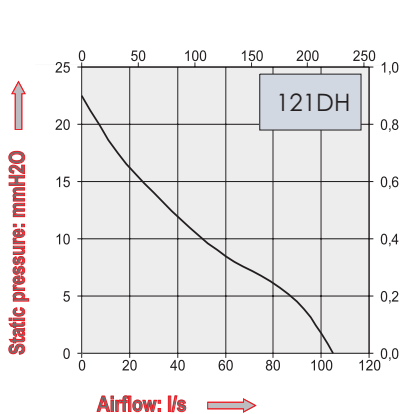
L-10 LIFE AT 40°C:
80 000 hours

Brushless DC Motor

Electrical protection: integrated circuit
Housing material: plastic UL 94 VO
Impeller material: plastic UL 94 VO
Weight: 770 g
Bearing system: ball bearings

Available with:

- Speed sensor
- Alarm
- Flying leads
- IP 54
- UL, CSA and C-UL approvals: 148D models



| Part Number | Nominal voltage | Airflow | Noise level | Nominal speed | Input Power | Voltage range | Connection type | | Operating temperature | |
|---------------|-----------------|---------|-------------|---------------|-------------|---------------|-----------------|-----------|-----------------------|--------|
| | V | l/s | dB(A) | RPM | W | V | Leads | Terminals | Min.°C | Max.°C |
| 121DH2TM11200 | 24 | 105 | 62 | 4000 | 23 | (19-28) | X | X | -10 | 55 |
| 148DH1TM11000 | 12 | 110 | 57 | 3100 | 13 | (9-15) | X | X | -10 | 70 |
| 148DH2TM11000 | 24 | 112 | 58 | 3100 | 16,4 | (19-28) | X | X | -10 | 55 |
| 148DH4TM11000 | 48 | 112 | 58 | 3100 | 16,3 | (40-57) | X | X | -10 | 55 |
| 148DH9TM11207 | 110 | 112 | 58 | 3100 | 13,4 | (76-140) | X | X | -25 | 70 |
| 121DW2TM11200 | 24 | 120 | 66 | 4650 | 30 | (19-26,5) | X | X | -10 | 55 |
| 121DW9TM11200 | 28 | 120 | 66 | 4650 | 30 | (19-31) | X | X | -10 | 55 |

Additional versions:

Others speeds - salt spray protection
IP54: consult factory

Accessories:

Refer to Accessories leaflet