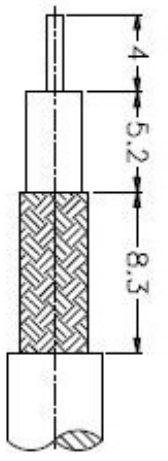
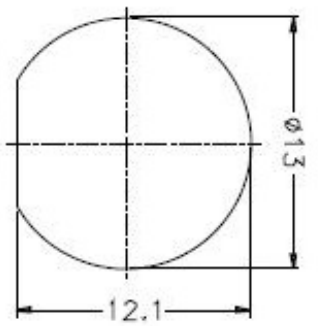


ISS ZONE	DESCRIPTION\PER REQUEST\DATE

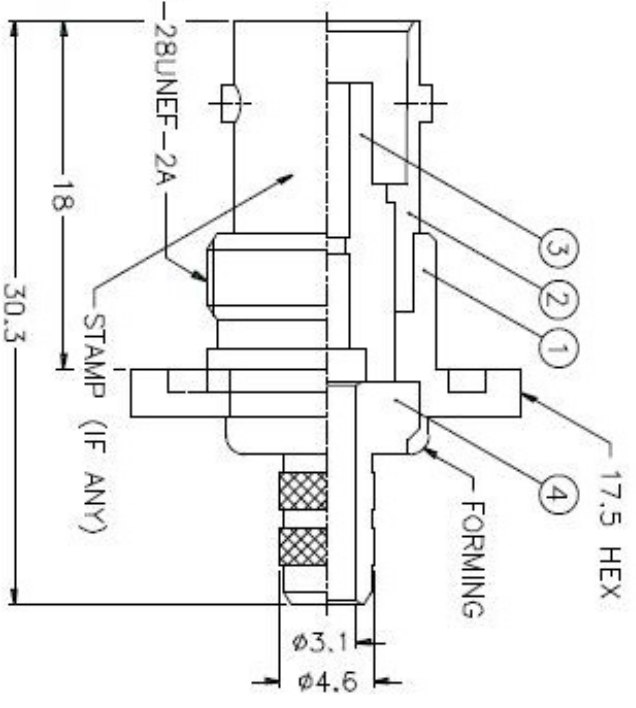
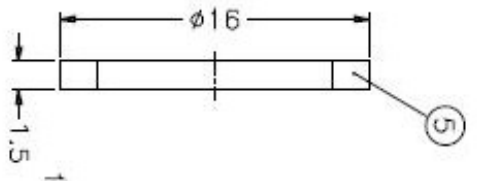
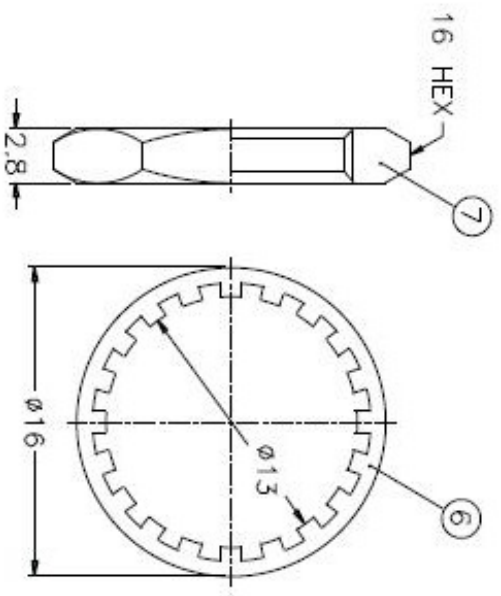
1	2	3	4	5	6	7	8



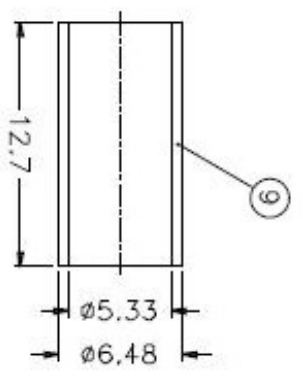
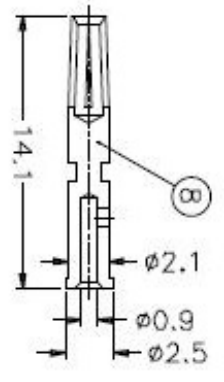
RECOMMENDED
CABLE STRIPPING DIM'S



RECOMMENDED
MOUNTING HOLE



1. CRIMPED FERRULE
HEX CRIMP SIZE .213"
2. CRIMPED CONTACT PIN
HEX CRIMP SIZE .068"
3. MAX. PANEL THICKNESS=3.5mm



NOTES: FINISH (PLATING THICKNESS IN MICRO-INCHES)
 1. BRASS PER QQ-B-626
 2. BRASS PER QQ-B-813
 3. NICKEL PL 100 MIN. THICK OVER COPPER STRIKE
 4. PHOSPHOR BRONZE PER QQ-B-750
 5. GOLD PL. 3 MIN. THICK OVER NICKEL PL. 100 MIN. THICK OVER COPPER STRIKE
 6. PTFE . MIL-P-19466

NO.	DESCRIPTION	MATERIAL	FINISH	QTY	DRAWING NO.
1	HOUSING	NOTE 1	NOTE 3	1	B74000-1
2	BODY	NOTE 1	NOTE 3	1	B74000-2
3	INSULATOR	NOTE 6	NATURAL	1	B74000-5T-50
4	BARREL	NOTE 1	NOTE 3	1	B74000-4-46/31
5	GASKET	RUBBER	RED	1	GS-16/122X15
6	LOCK WASHER	NOTE 2	NOTE 3	1	LW-16/13X05
7	HEX NUT	NOTE 1	NOTE 3	1	HN16-1/2-28X28
8	CONTACT PIN	NOTE 4	NOTE 5	1	B74000-8-25/09
9	FERRULE	COPPER	NOTE 3	1	FR-64B/533X 127C

DIMENSIONS ARE IN MILLIMETERS
UNLESS OTHERWISE SPECIFIED
TOLERANCES

0.3-6	±0.2
6-30	±0.4
30-120	±0.6
120-315	±1
315-1000	±1.6
1000-2000	±2.4

PART NO.	B6421A1-NT3G-1-50
APPROVED	DATE 10-11-01'
CHECKED	DATE 10-11-01'
DRAWN	DATE 10-11-01'
SCALE	2.5/1
ISSUE	A
FILE NO.	

TITLE	BNC BULKHEAD CRIMP JACK
DRAWING NO.	KJ-B6421A1-NT3G-58U-50
ITEM NO.	

Amphenol