

DIMENSIONS

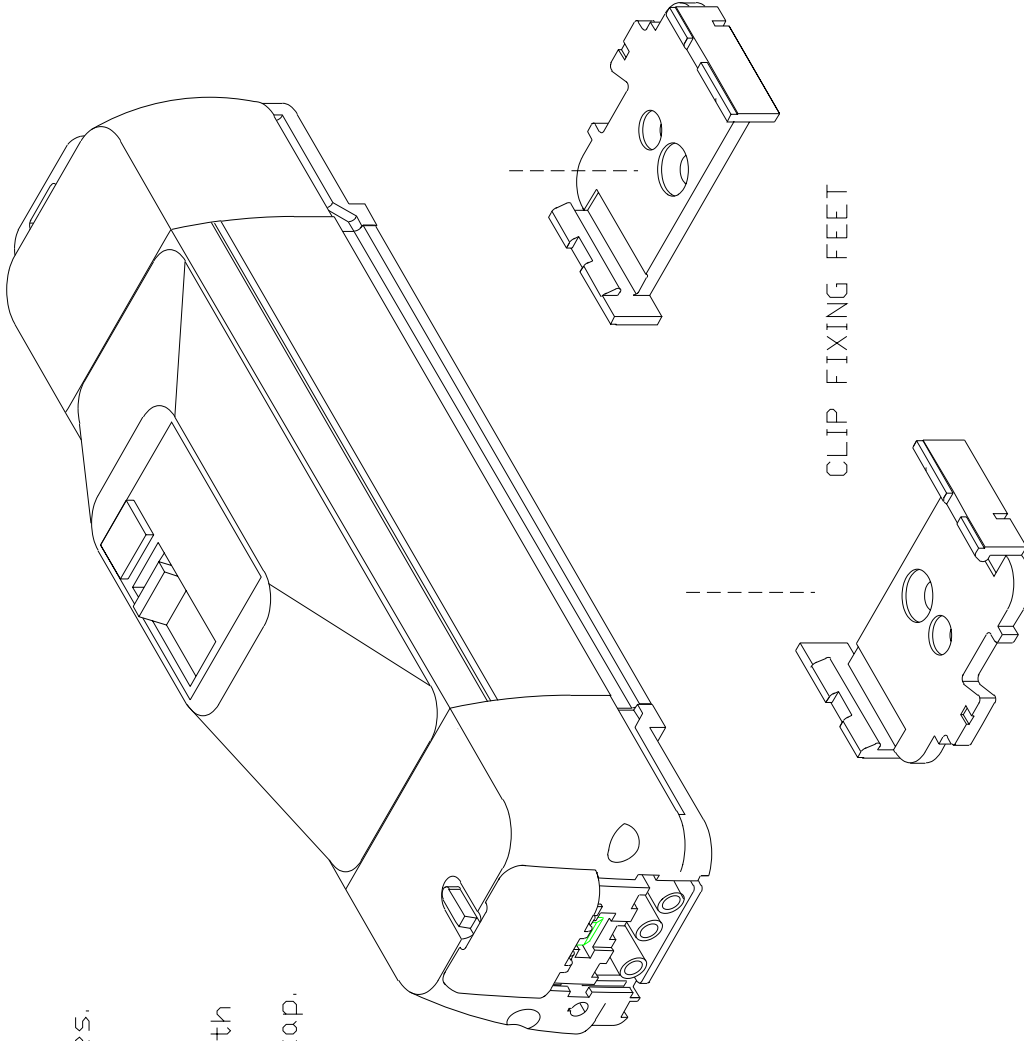
WIDTH 62mm  
 HEIGHT 83mm  
 HEIGHT INCLUDING  
 FIXING FOOT 87mm

Overall length 228mm  
 not including connected cables.

FEATURES

Wieland ST18/3 male input,  
 female output in end caps with  
 shutters.  
 Earth terminal in input end cap.  
 Input "power on" neon.

RCD rating : 30mA  
 Unit rating : 16A/250Vac  
 CE marked to product  
 standard BS5733.



DO NOT SCALE

THIS DRAWING IS THE PROPERTY OF APHEL LIMITED. REPRODUCTION WHOLLY OR IN PART PROHIBITED © APHEL LIMITED

|       |    |          |        |  |  |  |  |  |  |
|-------|----|----------|--------|--|--|--|--|--|--|
| ISSUE | 01 | 24/08/95 | 8/7/03 |  |  |  |  |  |  |
| DATE  |    |          |        |  |  |  |  |  |  |

TOLERANCES  
 (<UNLESS OTHERWISE STATED>)

|        |        |     |
|--------|--------|-----|
| 0.00   | 0.0    | 0   |
| 0.01mm | 0.25mm | 1mm |

|                |                 |                             |
|----------------|-----------------|-----------------------------|
| DESCRIPTION    | DB2000 RCD UNIT | 2201-000                    |
| DRAWING NUMBER | GA0035          | DRAWN BY MLF<br>CHECKED HGH |

THIS IS A CAD GENERATED  
 PLOT. REFER TO COMPUTER  
 FILE FOR MASTER

