

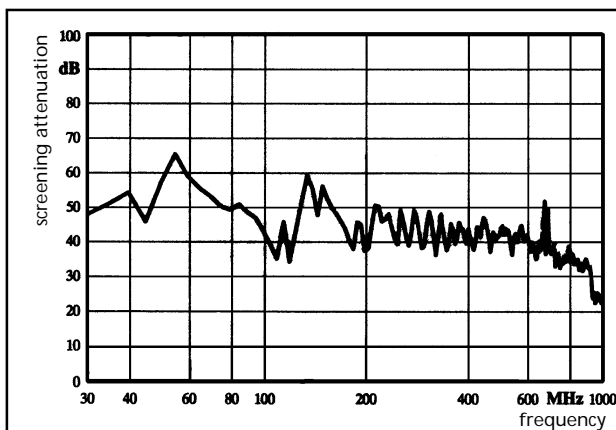
HF Screened Enclosures

- polycarbonate aluminized
- impact-resistant
- flame-resistant to VDE 0471
- smooth side walls

Type	Size	Internal Height	Order No
HF 99	94 x 94 x 57 mm	45 mm	140 303 01
HF 1111	110 x 110 x 66 mm	53 mm	140 304 01
HF 1309	130 x 94 x 57 mm	45 mm	140 309 01
HF 1313	130 x 130 x 75 mm	63 mm	140 305 01
HF 1809	180 x 94 x 57 mm	45 mm	140 310 01
HF 1818	182 x 180 x 90 mm	75 mm	140 307 01
HF 2518	254 x 180 x 90 mm	75 mm	140 308 01



Further sizes on request!



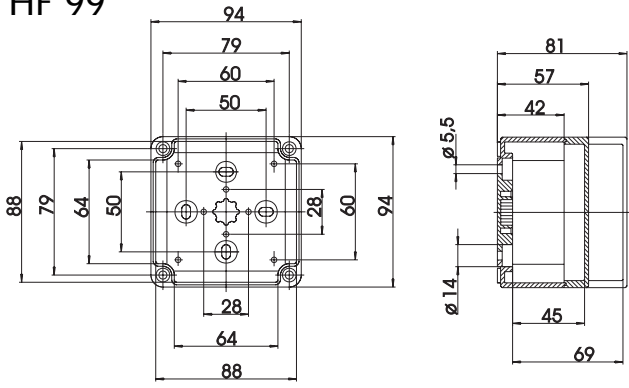
The diagram shows the measured screening attenuation on the example of a conductive paint-coated TK housing, type 2518 (height 111 mm, long side directed towards antenna).

Please note:

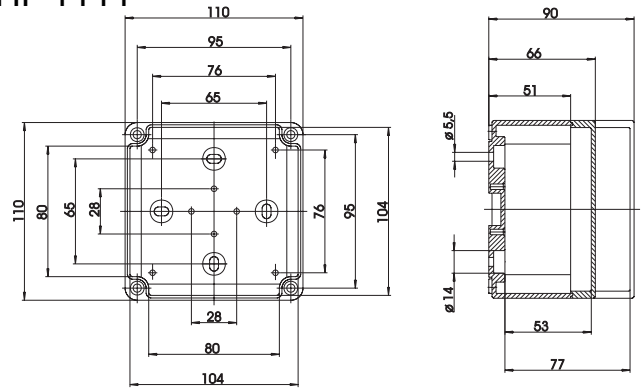
The data given in the diagram are reference values for use of our HF enclosures. The user must note that in principle the complete assembly constructed by him should be subjected to repeat measurement. Deviations in attenuation values can occur due to the insertions, cooling slots etc.

Dimensions

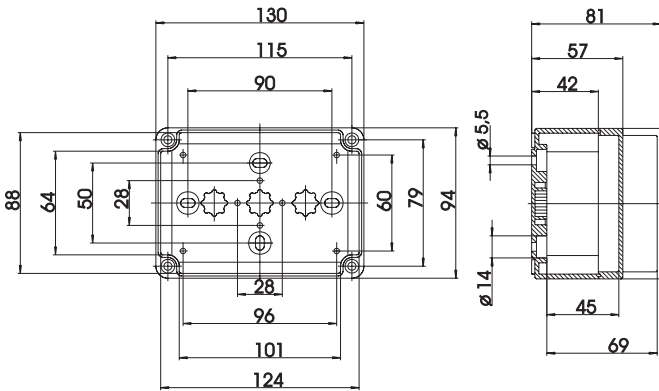
HF 99



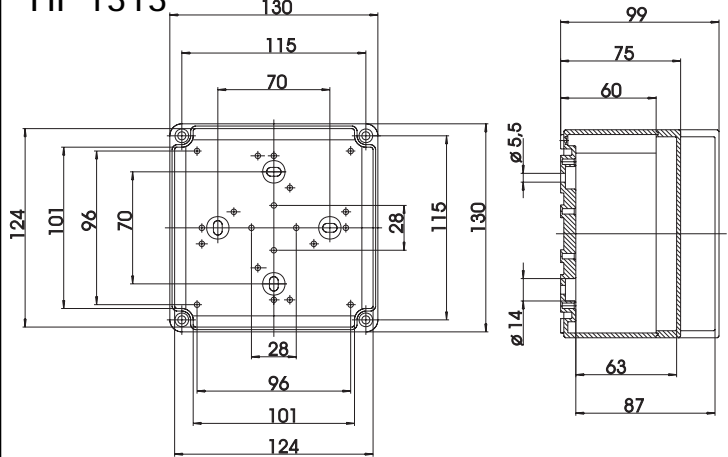
HF 1111



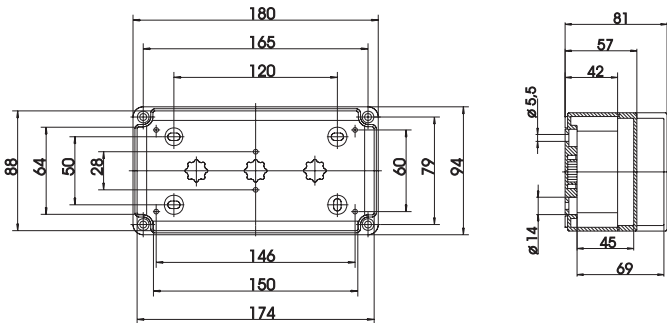
HF 1309



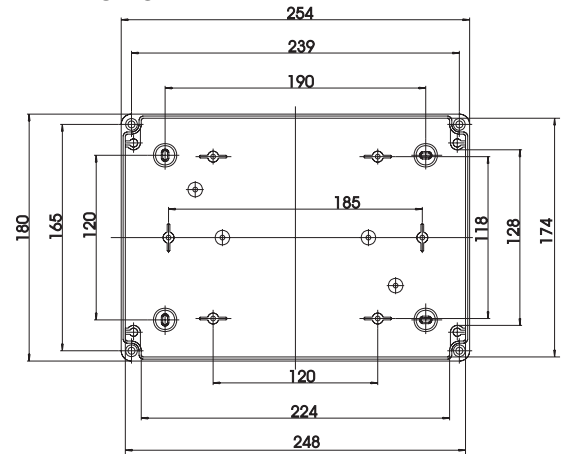
HF 1313



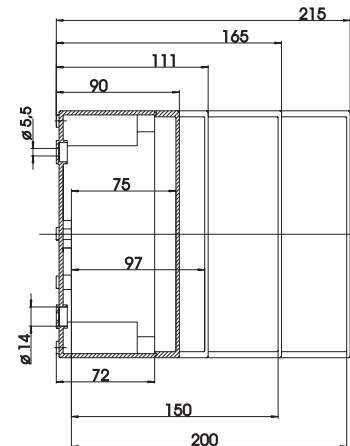
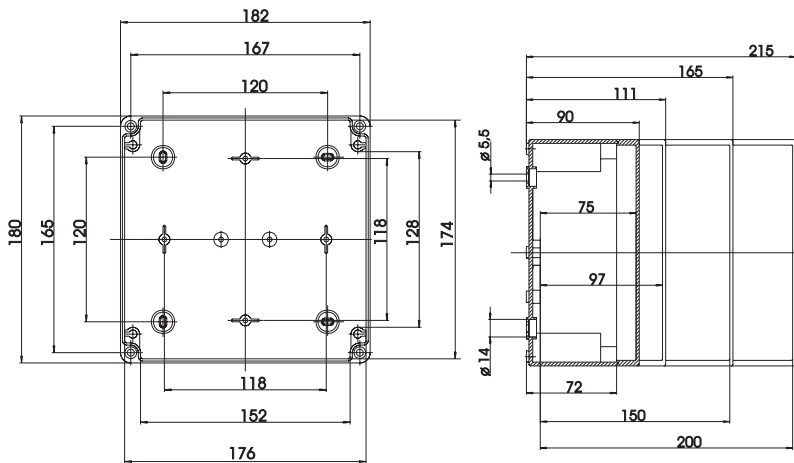
HF 1809



HF 2510



HF 1818



All dimensions in mm.