

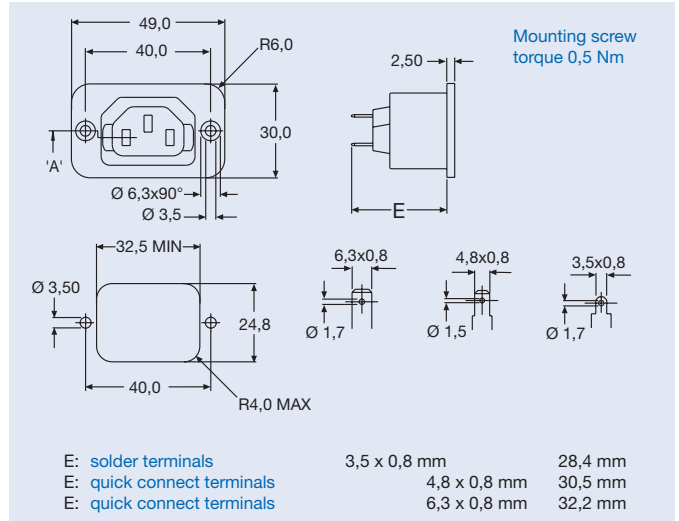
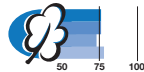
# APPLIANCE COUPLERS

4721, 4723

Appliance inlets/-outlets

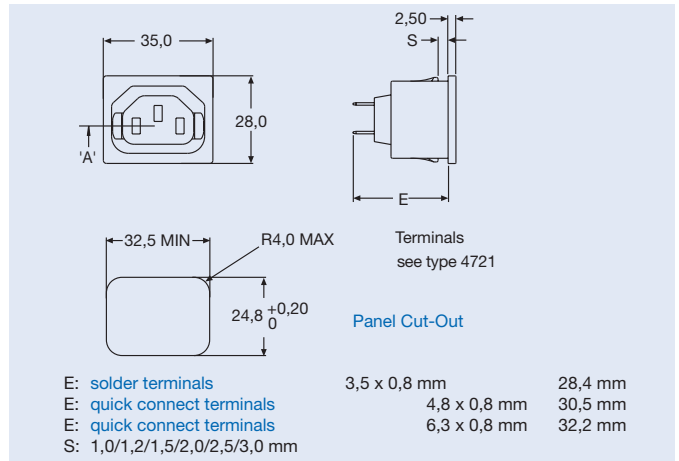
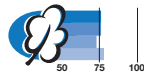
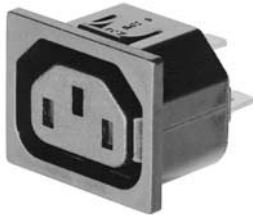
## Appliance Outlet shuttered Type 4721

Screw-on mounting from front  
Solder or quick-connect terminals  
Pin temperature 70 °C  
Protection class I  
L and N shuttered



## Appliance Outlet shuttered Type 4723

Snap-in mounting from front  
Solder or quick-connect terminals  
Pin temperature 70 °C  
Protection class I  
L and N shuttered



### Details Types 4721, 4723

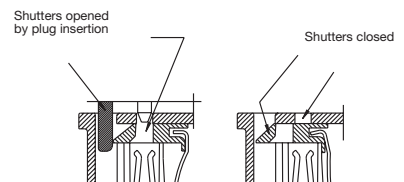
#### Technical data

- Rated current/voltage: 10 A/250 VAC
- Insulation resistance: > 10 MΩ (500 VDC, 1 Min.)
- Dielectric strength: 2 kV (50 Hz, 1 Min.), to accessible surfaces
- Materials:
  - Socket and Shutters: Thermoplastic, black, UL 94 V-0

### Features

Shuttered outlets have mechanical covers over the L and N contacts which slide aside, like a camera shutter. When a plug is inserted into the outlet, the shutters spring back to cover the contacts when the plug is removed. This offers protection against electrical shock and ingress of dust into the outlet when a plug is not inserted. See section «A» diagrams.

Part section «A» showing shutter operation



### Approvals

VDE (10 A / 250 VAC)  
 UL (15 A / 250 VAC)

### Standards

IEC/EN 60320-2-2/F

### Order Numbers

Screw-on mounting	Snap-in mounting						Terminals
	Panel thickness s						
	1,0 mm	1,2 mm	1,5 mm	2,0 mm	2,5 mm	3,0 mm	
4721.0000	4723.0000	4728.0000	4724.0000	4725.0000	4726.0000	4727.0000	Quick connect terminals 6,3 x 0,8 mm
4721.0100	4723.0100	4728.0100	4724.0100	4725.0100	4726.0100	4727.0100	Quick connect terminals 4,8 x 0,8 mm
4721.0300	4723.0300	4728.0300	4724.0300	4725.0300	4726.0300	4727.0300	Solder terminals 3,5 x 0,8 mm

Class II products also available on request  
Cord retaining clamps and insulation covers see page 171