

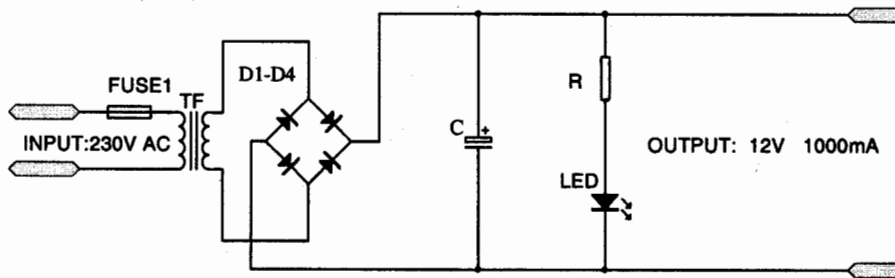
Model Number: MK120D100UKCE/LE+**Type** Single-Voltage AC/DC Adaptor:**Electrical Data**

Input	Input Voltage/Frequency	230V~50Hz
Output	Rated Output Voltage	12V
	Rated Output Load Current	1000mA
	Rated Output Power	12VA
Resistance	Insulation Resistance	100M Ω (measured with 500V DC voltage)
Protection	Thermal Protection	Thermal fuse:125°C/2A
	Withstand Voltage (Hi-Pot)	AC 3750V 50Hz for 1minute or AC4000V 2 Seconds

Mechanical Data

Supply Connection Type	UK
Primary Turns & Wire Gauge	1415T/0.15mm
Secondary Turns & Wire Gauge	74T/0.70mm
Core	48 X30 (mm)
Output Plug Dimensions	5.5X2.1mm
Polarity	CENTRE POSITIVE
Unit Weight	608g
Dimensions	75 x 58 x 80 (mm)

CIRCUIT DIAGRAM



D1-D4: IN5391 DIODE

R: 1K OHM RESISTOR

LED: 3mm LED RED

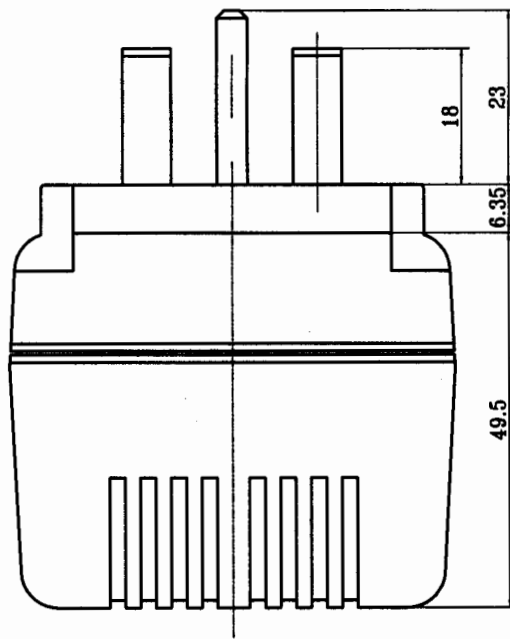
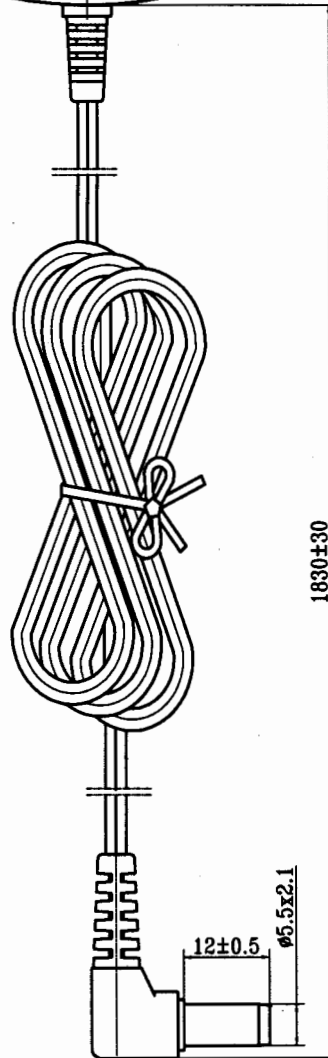
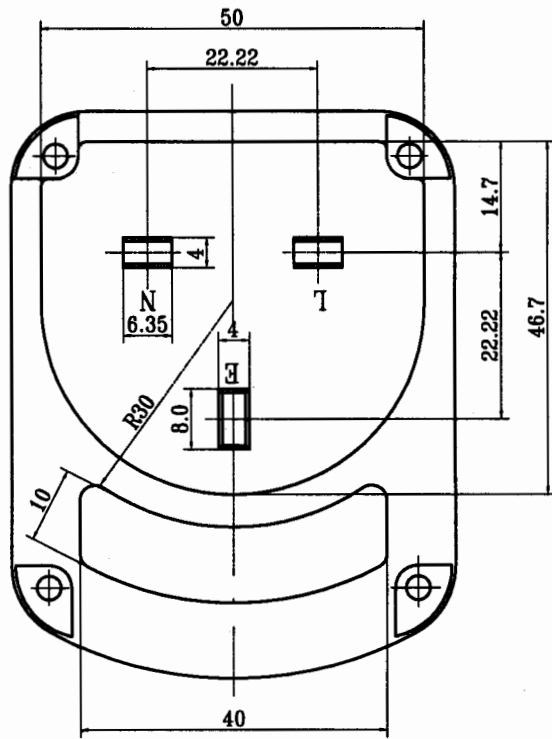
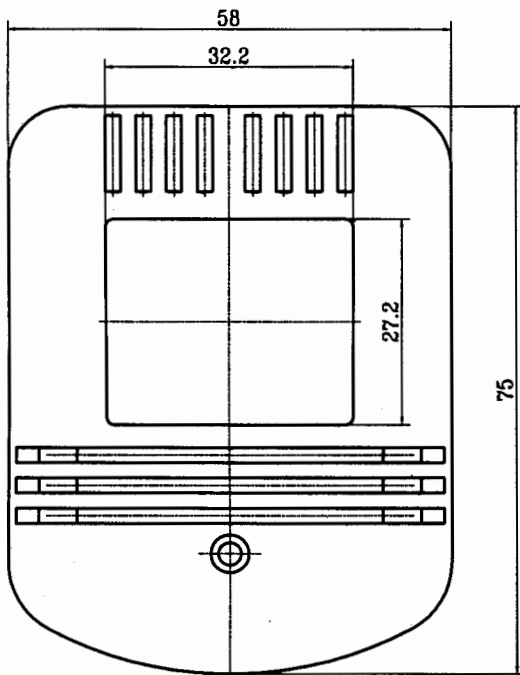
C: 2200uF/25V CAPACITOR

TF: TRANSFORMER

FUSE1: 125 DEG./2A THERMAL PROTECT

MODEL	MK120D100UKCE	SCALE	1:1
File	G\MK120D100-3		
DESIGNED BY	王平原	DATE	
DRAWN BY	王平原	DATE	
CHECKED BY		DATE	

CASE & CORD DIMENSION



MODEL	MK120D100UKCE	SCALE	1:1
File	G\KXC\1208UK6		
DESIGNED BY		DATE	
DRAWN BY		DATE	
CHECKED BY		DATE	