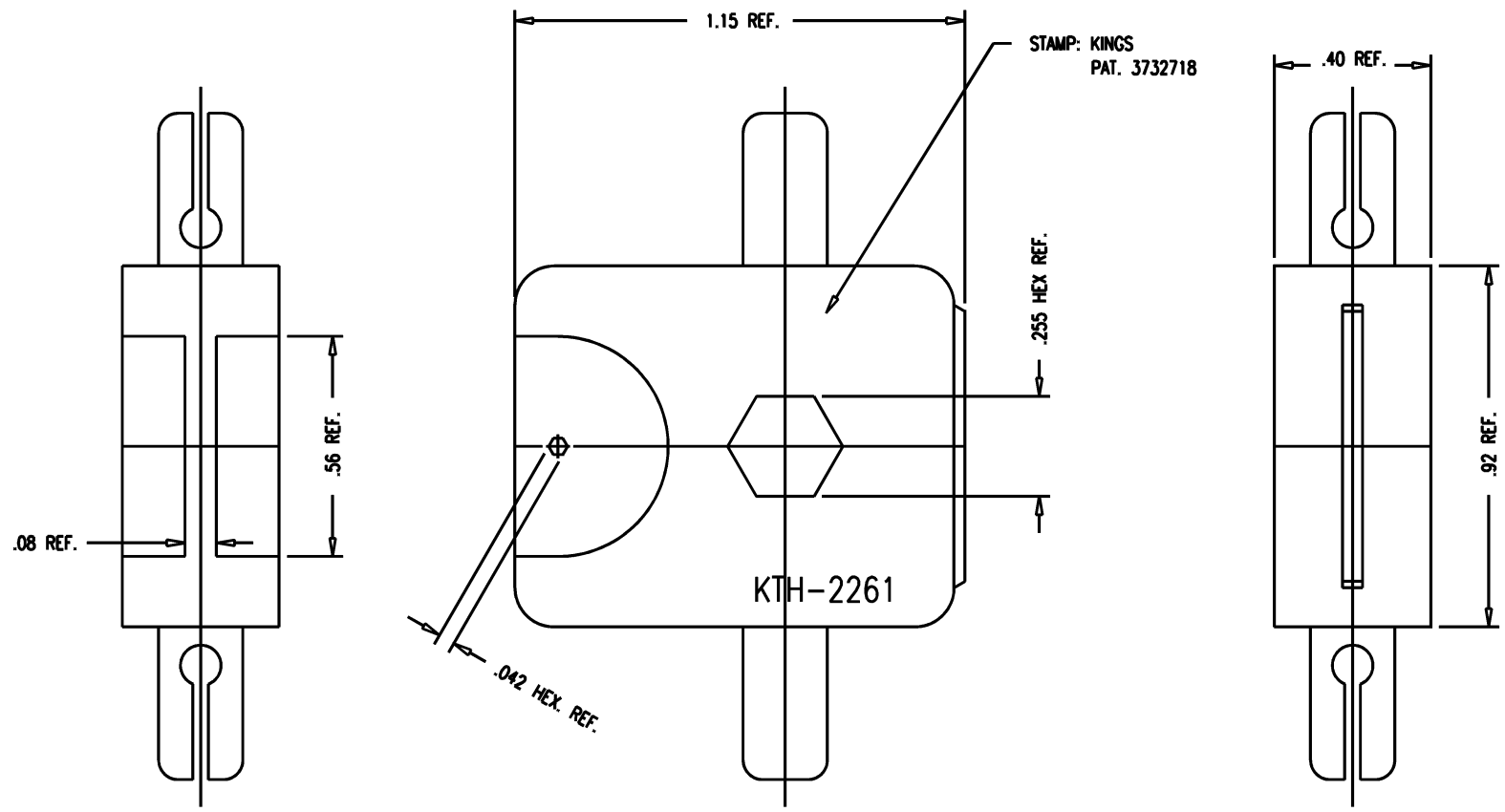


DASH NO.	M CODE	MADE FROM
----------	--------	-----------

SD



KTH-2261

REVISIONS

ISSUE	CHANGES
0	ER 37801 TML 03/03/99

KTH2261S

SCALE 3:1

APPROX SURFACE AREA

WAS: KTH-2186

USED ON 2065-1-9

REF:

CRIMP DIE

DRAWN	TML	DATE	03/03/99
-------	-----	------	----------

DESIGN	DCT	DATE	03/03/99
--------	-----	------	----------

APPR.	DCT	DATE	03/03/99
-------	-----	------	----------

KINGS
ELECTRONICS CO., INC.
TUCKAHOE, NEW YORK 10707

KTH-2261

NOTES:
1. FOR USE WITH BELDEN 9209A, 1505A, 1506A, AND 8241 CABLE.

SD