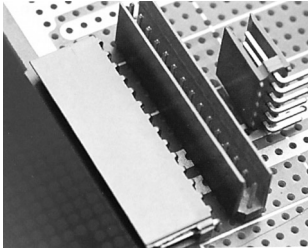


Shrouded Headers, Single Row

0.63 mm Square Post Straight & Right-Angle



Material and Finish:

Housing—Blue flame retardant glass filled polyester, UL 94-V0 rated

Posts—Phosphor bronze, plated as follows:

HE13—Plated min. 0.4 µm gold on contact area, gold flash on insertion area, 2.5-4.0 µm tin on solder tail, with entire post underplated 1.27 µm nickel

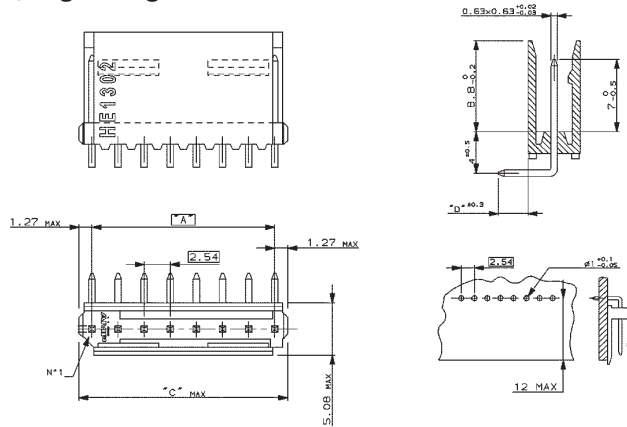
HE14—Tin plated min. 2.5-4.0 µm on contact area, tin plated 0.8 µm on entire post, underplated 1.27 µm nickel

Technical Documents:

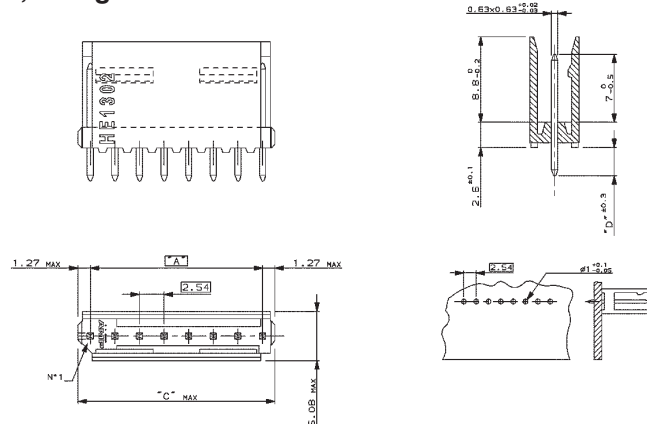
Product Specification
108-15053

Application Specification:
114-15030 (Right-Angle Plug version)
114-15031 (Straight Plug version)

Single-Row, Right-Angle



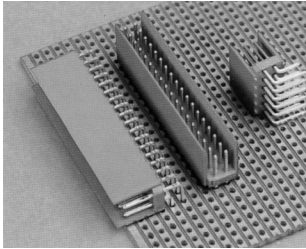
Single-Row, Straight



No. of Positions	Dimensions			Single-Row Straight Type / Part Number		Single-Row Right Angle Type / Part Number	
	A	B	D	HE13	HE14	HE13	HE14
2	2.54	5.54	2.9	281696-2	281695-2	281699-2	281698-2
3	5.08	8.08	2.9	281696-3	281695-3	281699-3	281698-3
4	7.62	10.62	2.9	281696-4	281695-4	281699-4	281698-4
5	10.16	13.16	2.9	281696-5	281695-5	281699-5	281698-5
6	12.70	15.70	2.9	281696-6	281695-6	281699-6	281698-6
7	15.24	18.24	2.9	281696-7	281695-7	281699-7	281698-7
8	17.78	20.78	2.9	281696-8	281695-8	281699-8	281698-8
9	20.32	23.32	2.9	-	-	-	-
10	22.86	25.86	2.9	1-281696-0	1-281695-0	1-281699-0	1-281698-0
11	25.40	28.40	2.9	-	-	-	-
12	27.94	30.94	2.9	1-281696-2	1-281695-2	1-281699-2	1-281698-2
13	30.48	33.48	2.9	-	-	-	-
14	33.02	36.02	2.9	-	-	-	-
15	35.56	38.56	2.9	1-281696-5	1-281695-5	1-281699-5	1-281698-5
16	38.10	41.10	2.9	-	-	-	-
17	40.64	43.64	2.9	1-281696-7	1-281695-7	1-281699-7	1-281698-7
18	43.18	46.18	2.9	1-281696-8	1-281695-8	1-281699-8	1-281698-8
19	45.72	48.72	2.9	-	-	-	-
20	48.26	51.26	2.9	-	-	-	-
21	50.80	53.80	2.9	-	-	-	-
22	53.34	56.34	2.9	-	-	-	-
23	55.88	58.88	2.9	-	-	-	-
24	58.42	61.42	2.9	-	-	-	-
25	60.96	63.96	2.9	-	-	-	-

Shrouded Headers, Double Row

0.63 mm Square Post Straight & Right-Angle



Material and Finish:

Housing—Blue flame retardant glass filled polyester, UL 94-V0 rated

Posts—Phosphor bronze, plated as follows:

HE13—Plated min. 0.4 µm gold on contact area, gold flash on insertion area, 2.5-4.0 µm tin on solder tail, with entire post underplated 1.27 µm nickel

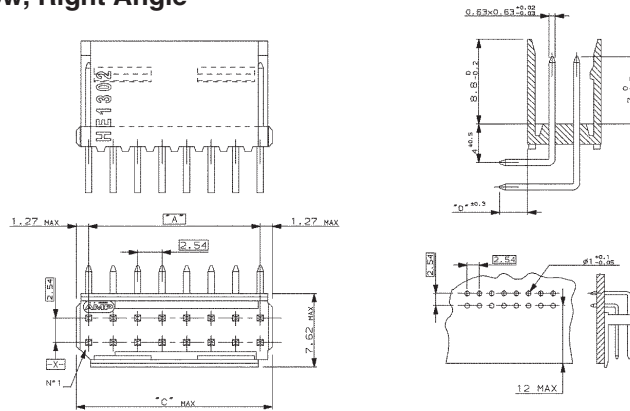
HE14—Tin plated min. 2.5-4.0 µm on contact area, tin plated 0.8 µm on entire post, underplated 1.27 µm nickel

Technical Documents:

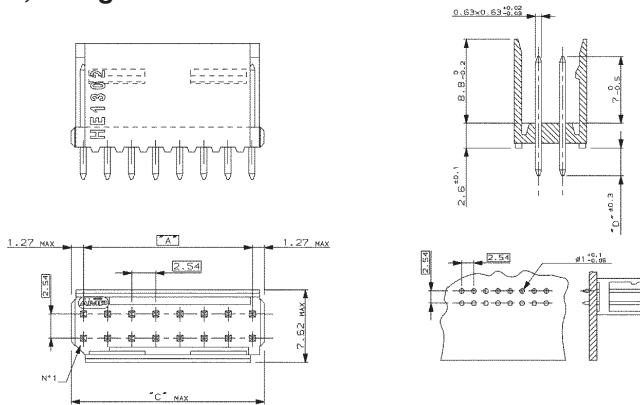
Product Specification
108-15053

Application Specification:
114-15030 (Right-Angle Plug version)
114-15031 (Straight Plug version)

Double-Row, Right Angle



Double-Row, Straight



No. of Positions	Dimensions			Double-Row Straight Type / Part Number		Double-Row Right Angle Type / Part Number	
	A	C	D	HE13	HE14	HE13	HE14
2x2	2.54	5.54	2.9	281740-2	281739-2	281743-2	281742-2
2x3	5.08	8.08	2.9	281740-3	281739-3	281743-3	281742-3
2x4	7.62	10.62	2.9	281740-4	281739-4	281743-4	281742-4
2x5	10.16	13.16	2.9	281740-5	281739-5	281743-5	281742-5
2x6	12.70	15.70	2.9	281740-6	281739-6	281743-6	281742-6
2x7	15.24	18.24	2.9	-	-	-	-
2x8	17.78	20.78	2.9	281740-8	281739-8	281743-8	281742-8
2x9	20.32	23.32	2.9	-	-	-	-
2x10	22.86	25.86	2.9	1-281740-0	1-281739-0	1-281743-0	1-281742-0
2x11	25.40	28.40	2.9	-	-	-	-
2x12	27.94	30.94	2.9	1-281740-2	1-281739-2	1-281743-2	1-281742-2
2x13	30.48	33.48	2.9	1-281740-3	1-281739-3	1-281743-3	1-281742-3
2x14	33.02	36.02	2.9	-	-	-	-
2x15	35.56	38.56	2.9	1-281740-5	1-281739-5	1-281743-5	1-281742-5
2x16	38.10	41.10	2.9	-	-	-	-
2x17	40.64	43.64	2.9	1-281740-7	1-281739-7	1-281743-7	1-281742-7
2x18	43.18	46.18	2.9	1-281740-8	1-281739-8	1-281743-8	1-281742-8
2x19	45.72	48.72	2.9	-	-	-	-
2x20	48.26	51.26	2.9	2-281740-0	2-281739-0	2-281743-0	2-281742-0
2x21	50.80	53.80	2.9	-	-	-	-
2x22	53.34	56.34	2.9	-	-	-	-
2x23	55.88	58.88	2.9	-	-	-	-
2x24	58.42	61.42	2.9	-	-	-	-
2x25	60.96	63.96	2.9	-	-	-	-