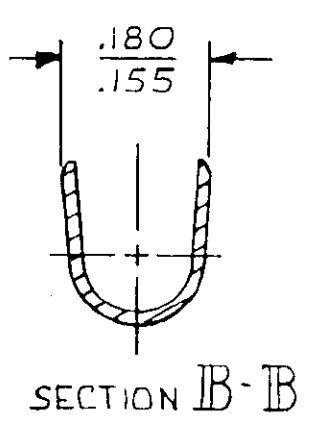
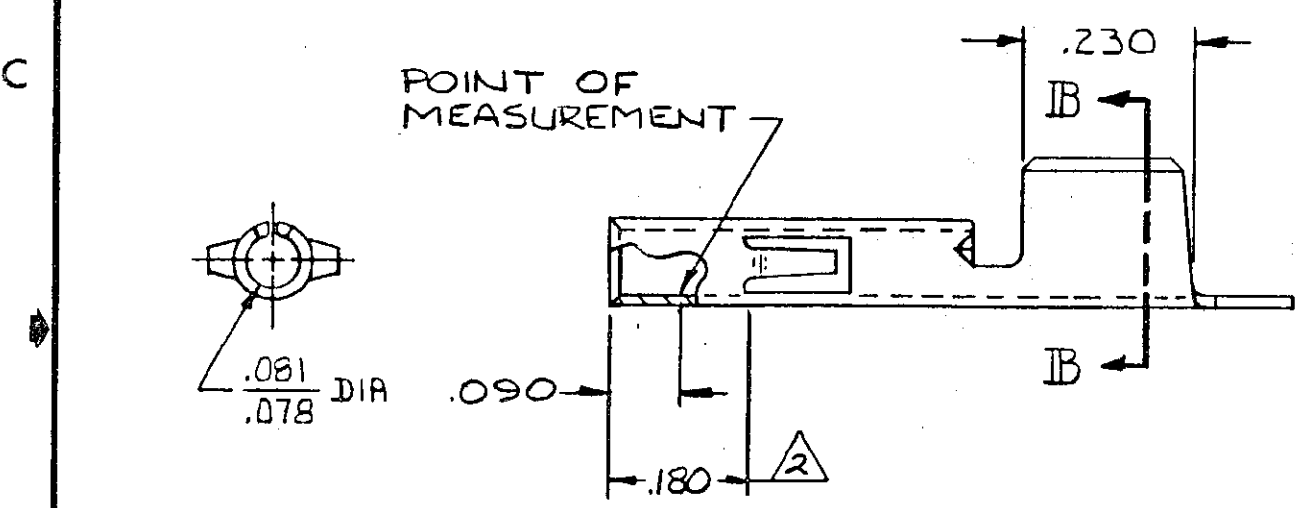
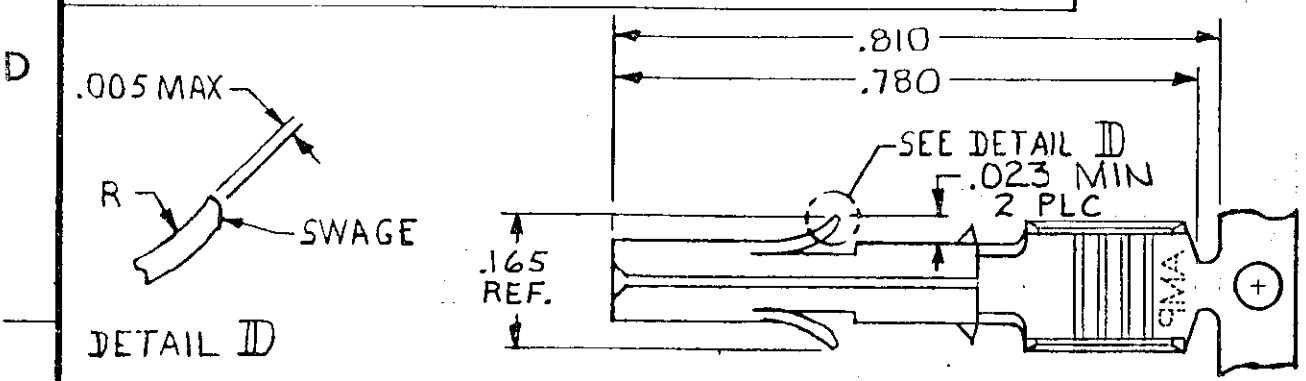


© COPYRIGHT 1976 BY AMP INCORPORATED, HARRISBURG, PA.
 ALL INTERNATIONAL RIGHTS RESERVED. AMP INCORPORATED PRODUCTS
 COVERED BY U. S. AND FOREIGN PATENTS AND/OR PATENTS PENDING.



- 1 LIMITED BY THE CONNECTOR HOUSING CAVITY.
- 2 .000030 THICK GOLD OVER NICKEL ON INSIDE OF RECEPTACLE; REMAINDER OF CONTACT IS NICKEL PLATED.
- 3 GOLD OVER NICKEL ON ENTIRE STAMPING; .000030 GOLD MINIMUM AT POINT OF MEASUREMENT IN CONTACT AREA, GOLD FLASH MINIMUM IN WIRE BARREL.

		REVISIONS				
P	F	ZONE	LTR	DESCRIPTION	DATE	APPROVED
✓			M	REV PER ECN CM51	12/12/84	TB/RS
✓			MI	RESTORATION	4-23-85	SS AS
✓			N	REV PER ECN CM-924	2-23-87	PKC TB
			P	RELEASED I--I PER PR CM87-174	2-2-88	MSF RS
✓			R	OBS I--I PER CM 2382	6-16-89	TB RS
			S	REV PER EC 0730-3607-91	1-6-94	RV RS

LOOSE PIECE(REF)	FINISH	MATERIAL	PART NO
640310-6	GOLD 2	.012 PH. BRZ.	350923-6
—	GOLD 3	.012 PH. BRZ	350923-4
640310-3	PRE-TIN	.012 PH. BRZ.	350923-3

UNLESS OTHERWISE SPECIFIED DIMENSIONS ARE IN INCHES. TOLERANCES ON: DECIMALS ±.015 ANGLES ±	CONTRACT NO		AMP AMP INCORPORATED Harrisburg, Pa.	
	DR <i>m. Feher 4-21-81</i>			
	WIRE RANGE 12-10 AWG		NAME SOCKET, UNIVERSAL MATE-N-LOK	
	INSULATION RANGE .200 DIA MAX 1		CHK <i>D.S. Hoide 6/9/81</i>	APPD <i>R. Polakub 6-10-81</i>
		DSGN APPD	OTHER APPD	CODE IDENT NO 00779
				DRAWING NO 350923
				SCALE 4-1
				SHEET 1 OF 1