

# Waterproof Dual Color Illuminated Rocker

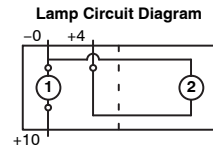
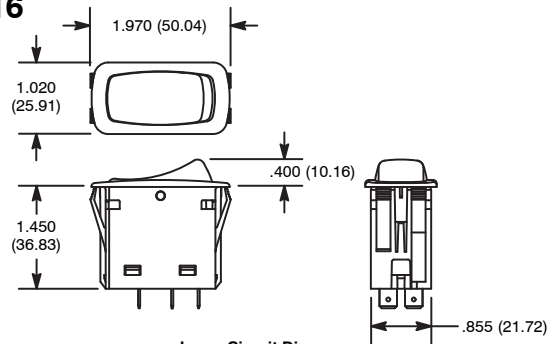


## Features

- IP67 Certified
- Single and Double Pole
- Dual Color Types
- .250" Quick Connect Terminals



S116



NTE Type No.	Circuitry	Action			Actuator			Diag No.	
					Material	Color			Vltg
		ON	NONE	OFF		Neon	LED		
NEW 54-150	SPST	ON	NONE	OFF	Nylon	-	Amber/Green	DC	S116
NEW 54-151	SPST	(ON)	NONE	OFF	Nylon	-	Amber/Green	DC	S116
NEW 54-153	SPDT	ON	OFF	ON	Nylon	-	Amber/Green	DC	S116
NEW 54-154	SPDT	ON	OFF	(ON)	Nylon	-	Amber/Green	DC	S116
NEW 54-157	DPDT	ON	NONE	ON	Nylon	-	Amber/Green	DC	S116
NEW 54-158	DPDT	(ON)	OFF	(ON)	Nylon	-	Amber/Green	DC	S116

SPECIAL NOTE: ( ) = Momentary Function

## Specifications

- Current Rating:** 20A 12VDC
- Lamp Voltage:** 12V LED (DC)
- Insulation Resistance:** 50 Megohms
- Dielectric Strength:**
  - Between Pole to Pole: 1250 VRMS
  - Between Live Parts & Accessible Surfaces: 3750 VRMS
- Temperature Rating:** -40° to +185°F (-40° to +85°C)
- Electrical Life:** 100,000 cycles maintained  
50,000 cycles momentary at rated voltage & current
- Mechanical Life:** 250,000 cycles min.
- Terminal Type:** .250" Tab Q.C.
- Mounting Hole:** 1.734 (44.04) x .867 (22.02)

# Round Hole Illuminated Rocker, Square Bezel

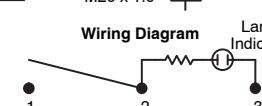
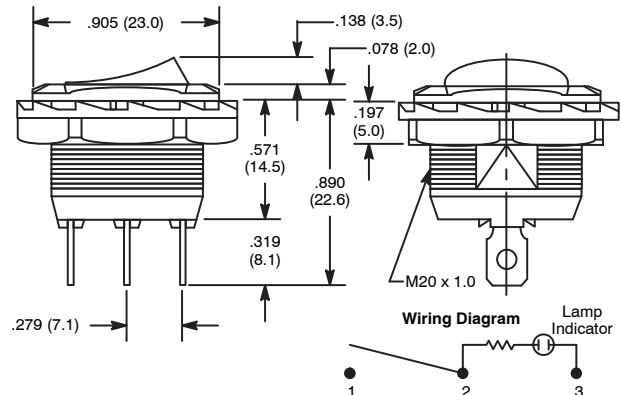


## Features

- Illuminated LED Indicator



S93



NTE Type No.	Circuitry	Action			Actuator			Diag No.	
					Material	Color			Vltg
		ON	NONE	OFF		Neon	LED		
NEW 54-645	SPST	ON	NONE	OFF	Nylon	-	Red	DC	S93

## Specifications

- Current Rating:** 20A 12VDC
- Lamp Voltage:** 2V @ 20mA LED (DC)
- Insulation Resistance:** 100 Megohms (min.) at 500VDC
- Dielectric Strength:** 1500V RMS (min.)
- Temperature Rating:** -13° to +185°F (-25° to +85°C)
- Electrical Life:** 6000 cycles (min.)
- Mechanical Life:** 100,000 cycles (min.)
- Terminal Type:** .187" Tab Q.C.
- Mounting Hole:** .795 (20.2)