

PART NO.	ENG. NO.	CIRCUIT SIZE	MATERIAL (SEE NOTE 1)	STATUS
366430010	36643-0010	5	E	ACTIVE

**NOTES:**

1) MATERIAL CODES:

\*E\* = NYLON 94V-2  
 COLOUR: NATURAL  
 GLOW WIRE COMPATIBLE WITH CTI OF 325 VOLTS,  
 ACCORDING TO IEC 60335-4TH EDITION

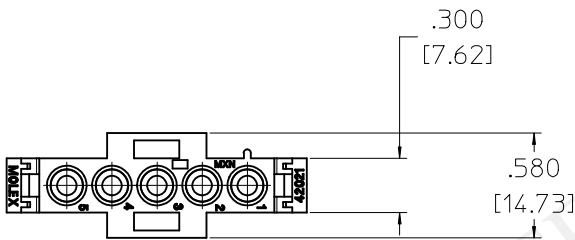
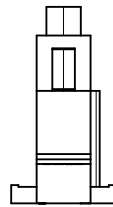
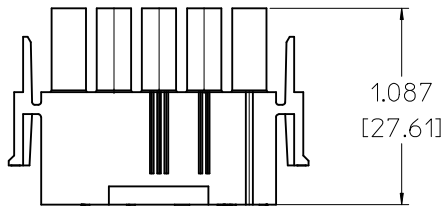
2) UNLESS OTHERWISE INDICATED, DIMENSIONS ARE FOR REFERENCE ONLY.

3) PLUG HOUSINGS MATE WITH :  
 - CAP HOUSINGS, .084/(2.13) DIA. SERIES: SD-36644-010  
 - HEADER ASSEMBLY HOUSINGS, SD-36757-0030 & .084/(2.13) DIA. SERIES: SD-36757-0150

4) HOUSINGS DESIGNED TO BE USED WITH TERMINALS :  
 - PINS, .084/(2.13) DIA. SERIES: (42023-\*\*\*\*)  
 - SOCKETS, .084/(2.13) DIA. SERIES: (42024-\*\*\*\*)

5) CONTACTS ARE ON .250/(6.35) GRID CENTERLINE SPACING.

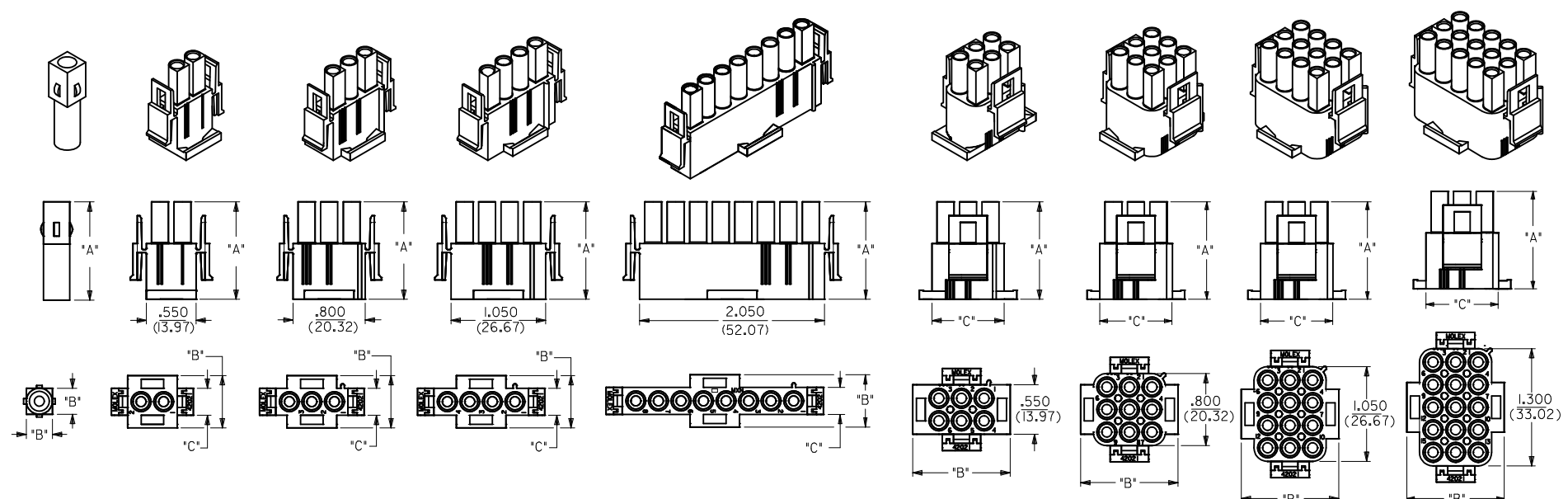
6) PRODUCT SPECIFICATION PS-42022-0001 APPLIES.



FOR REFERENCE USE ONLY

ENTER DESCRIPTION EC NO: 12012-0250 DRWN: VUTTARKAR 2012/02/09 CHKD: APPR: VUTTARKAR 2012/02/22 REV 1	QUALITY SYMBOLS	GENERAL TOLERANCES (UNLESS SPECIFIED)	DIMENSION STYLE IN/MM	SCALE 2:1	DESIGN UNITS INCH	THIRD ANGLE PROJECTION																														
	$\nabla=0$ $\nabla=0$	<table border="1"> <tr> <th></th> <th>mm</th> <th>INCH</th> </tr> <tr> <td>4 PLACES</td> <td>± .10</td> <td>± .004</td> </tr> <tr> <td>3 PLACES</td> <td>± .12</td> <td>± .005</td> </tr> <tr> <td>2 PLACES</td> <td>± 0.25</td> <td>± 0.010</td> </tr> <tr> <td>1 PLACE</td> <td>± 0.36</td> <td>± .014</td> </tr> <tr> <td>ANGULAR</td> <td>± .005</td> <td>± .0002</td> </tr> </table>		mm	INCH	4 PLACES	± .10	± .004	3 PLACES	± .12	± .005	2 PLACES	± 0.25	± 0.010	1 PLACE	± 0.36	± .014	ANGULAR	± .005	± .0002	<table border="1"> <tr> <th>DRAWN BY</th> <th>DATE</th> </tr> <tr> <td>RK</td> <td>87/11/16</td> </tr> <tr> <th>CHECKED BY</th> <th>DATE</th> </tr> <tr> <td>GW</td> <td>87/11/16</td> </tr> <tr> <th>APPROVED BY</th> <th>DATE</th> </tr> <tr> <td>GW</td> <td>87/11/16</td> </tr> </table>	DRAWN BY	DATE	RK	87/11/16	CHECKED BY	DATE	GW	87/11/16	APPROVED BY	DATE	GW	87/11/16	TITLE HOUSING, PLUG .084/(2.13) DIA. SERIES		
		mm	INCH																																	
	4 PLACES	± .10	± .004																																	
3 PLACES	± .12	± .005																																		
2 PLACES	± 0.25	± 0.010																																		
1 PLACE	± 0.36	± .014																																		
ANGULAR	± .005	± .0002																																		
DRAWN BY	DATE																																			
RK	87/11/16																																			
CHECKED BY	DATE																																			
GW	87/11/16																																			
APPROVED BY	DATE																																			
GW	87/11/16																																			
DRAFT WHERE APPLICABLE MUST REMAIN WITHIN DIMENSIONS			MATERIAL NO. SEE TABLE		DOCUMENT NO. SD-36643-001	SHEET NO. 1 OF 1																														

13 12 11 10 9 8 7 6 5 4 3 2 1



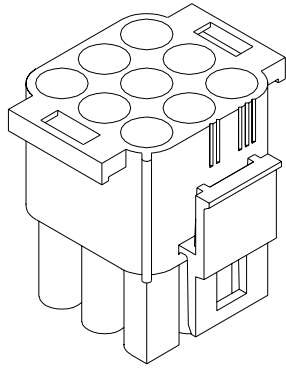
<b>ENTER DESCRIPTION</b> EC NO: 12010-0674 DRWN: SNS01 CHKD: GWF APPR: KRASAD 2010/06/11 87/11/16 2010/06/22	QUALITY SYMBOLS ▼=0 ▽=0	GENERAL TOLERANCES (UNLESS SPECIFIED) <table border="1"> <tr> <td></td> <td>mm</td> <td>INCH</td> </tr> <tr> <td>4 PLACES</td> <td>± .01</td> <td>± .0004</td> </tr> <tr> <td>3 PLACES</td> <td>± .02</td> <td>± .0008</td> </tr> <tr> <td>2 PLACES</td> <td>± .05</td> <td>± .0020</td> </tr> <tr> <td>1 PLACE</td> <td>± .10</td> <td>± .0040</td> </tr> <tr> <td colspan="3">ANGULAR ± .0050</td> </tr> </table>		mm	INCH	4 PLACES	± .01	± .0004	3 PLACES	± .02	± .0008	2 PLACES	± .05	± .0020	1 PLACE	± .10	± .0040	ANGULAR ± .0050			DIMENSION STYLE IN/MM	SCALE 1:1	DESIGN UNITS INCH	THIRD ANGLE PROJECTION
		mm	INCH																					
	4 PLACES	± .01	± .0004																					
	3 PLACES	± .02	± .0008																					
	2 PLACES	± .05	± .0020																					
1 PLACE	± .10	± .0040																						
ANGULAR ± .0050																								
DRAWN BY RK	DATE 87/11/16	TITLE HOUSING, PLUG .084/(2.13) DIA. SERIES																						
CHECKED BY GWF	DATE 87/11/16																							
APPROVED BY GWF	DATE 87/11/16																							
MATERIAL NO. SEE TABLE	DOCUMENT NO. SD-42021-**																							

12 11 10 9 8 7 6 5 4 3 2 1

THIS DRAWING CONTAINS INFORMATION THAT IS PROPRIETARY TO MOLEX INCORPORATED AND SHOULD NOT BE USED WITHOUT WRITTEN PERMISSION

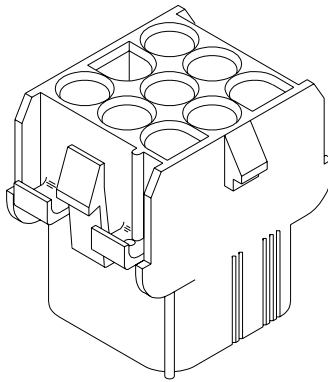


PLUG HOUSING



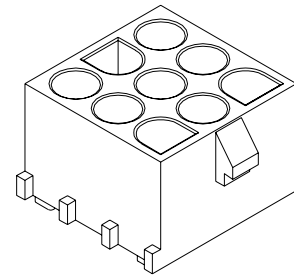
SD-42021-A (V-2)  
SD-42021-B (V-0)

CAP HOUSING



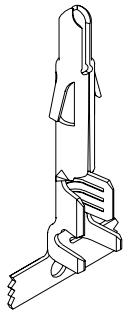
SD-42022-A (V-2)  
SD-42022-B (V-0)

HEADER ASSEMBLY



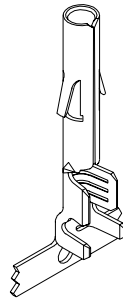
SDA-42002-A1-I (V-2, PIN TERMINALS)  
SDA-42002-B1-I (V-0, PIN TERMINALS)  
SDA-42002-A2-I (V-2, SOCKET TERMINALS)  
SDA-42002-B2-I (V-0, SOCKET TERMINALS)

SPLIT PIN TERMINAL



SD-42023-2A1 (BRASS, TIN PLATED)  
SD-42023-2A2 (BRASS, GOLD PLATED)  
SD-42023-2B1 (PHOSPHOR BRONZE, TIN PLATED)  
SD-42023-2B2 (PHOSPHOR BRONZE, GOLD PLATED)

SOCKET TERMINAL



SD-42024-1A1 (BRASS, TIN PLATED)  
SD-42024-1A2 (BRASS, GOLD PLATED)  
SD-42024-1B1 (PHOSPHOR BRONZE, TIN PLATED)  
SD-42024-1B2 (PHOSPHOR BRONZE, GOLD PLATED)

REV	DESCRIPTION
B	PEG NO. I2004-0443 DRWN: BSS 26/04/04 CHK: GJ 26/04/04 APPR: GJ 26/04/04

QUALITY SYMBOLS	MAJOR =	CRITICAL =

GENERAL TOLERANCES: (UNLESS SPECIFIED)	SCALE N.T.S.	DESIGN UNITS <input type="checkbox"/> mm <input checked="" type="checkbox"/> INCH
4 PLACES ±0. ±.	DRAWN BY & DATE MAB 08/05/92	CHECKED BY & DATE KBP 08/05/92
3 PLACES ±0. ±.	APPROVED BY & DATE RAS 08/05/92	CAD FILENAME SDIN42002.DGN
2 PLACES ±0. ±.	ANGULAR: ± 1/2 °	MATERIAL NO. PRELIMINARY
1 PLACE ±0. ±.	DRAFT WHERE APPLICABLE MUST REMAIN WITHIN DIMENSIONS	DRAWING NO. SDIN-42022-0001

DIMENSIONS: <input type="checkbox"/> mm <input checked="" type="checkbox"/> INCH <input type="checkbox"/> mm ONLY	SHT	REV
70° IRD ANGLE PROJECTION		
TITLE: MLX CONNECTOR FAMILY		
MOLEX INCORPORATED		
SHEET NO. 1 OF 1		

THIS DRAWING CONTAINS INFORMATION THAT IS PROPRIETARY TO MOLEX INCORPORATED AND SHOULD NOT BE USED WITHOUT WRITTEN PERMISSION.		SIZE C
--	--	--------