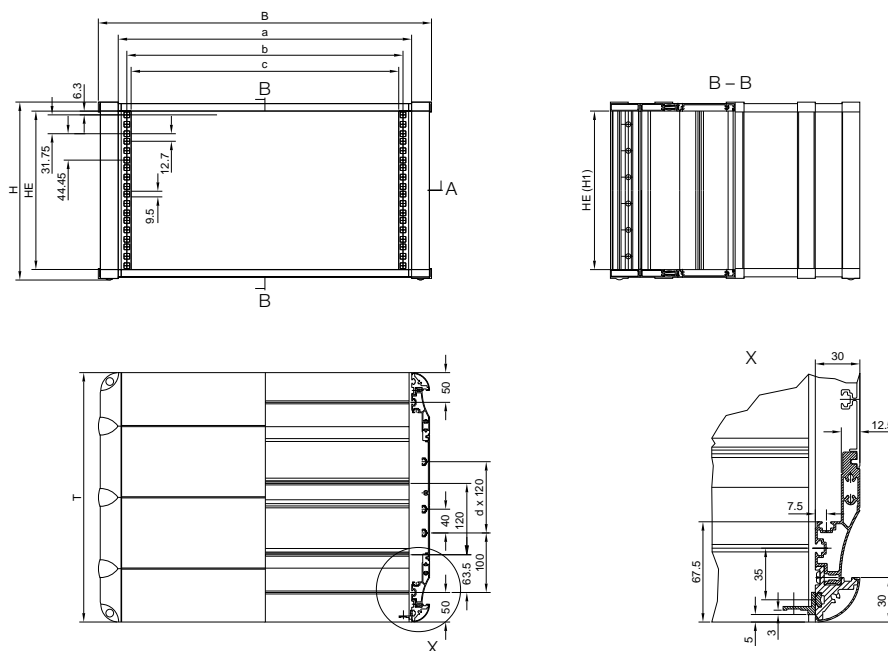


# Order information

## Rittal RiCase 482.6 mm (19")/3 U, 4 U, 6 U, 7 U

Enclosure for subracks width 482.6 mm (19")		P. of	3 U		4 U		6 U			7 U		9 U		12 U	Page
Depth (T) mm			300.0	420.0	300.0	420.0	300.0	420.0	540.0	420.0	540.0	420.0	540.0	540.0	
Model No. RC non vented, RAL 5018*		1	3750.310	3750.320	3750.410	3750.420	3750.600	3750.610	3750.620	3750.700	3750.710	3750.900	3750.910	3750.000	
Model No. RC non vented, RAL 5012*		1	3750.312	3750.322	3750.412	3750.422	3750.602	3750.612	3750.622	3750.702	3750.712	3750.902	3750.912	3750.002	
Model No. RC non vented, RAL 7030		1	3750.314	3750.324	3750.414	3750.424	3750.604	3750.614	3750.624	3750.704	3750.714	3750.904	3750.914	3750.004	
Model No. RC vented, RAL 5018*		1	3750.330	3750.340	3750.430	3750.440	3750.630	3750.640	3750.650	3750.720	3750.730	3750.920	3750.930	3750.030	
Model No. RC vented, RAL 5012*		1	3750.332	3750.342	3750.432	3750.442	3750.632	3750.642	3750.652	3750.722	3750.732	3750.922	3750.932	3750.032	
Model No. RC vented, RAL 7030		1	3750.334	3750.344	3750.434	3750.444	3750.634	3750.644	3750.654	3750.724	3750.734	3750.924	3750.934	3750.034	
H			166.4	166.4	210.8	210.8	299.7	299.7	299.7	344.2	344.2	433.1	433.1	566.5	
H1			133.8	133.8	178.3	178.3	267.2	267.2	267.2	311.7	311.7	400.6	400.6	534.0	
B			562.0	562.0	562.0	562.0	562.0	562.0	562.0	562.0	562.0	562.0	562.0	562.0	
a			494.0	494.0	494.0	494.0	494.0	494.0	494.0	494.0	494.0	494.0	494.0	494.0	
b			465.0	465.0	465.0	465.0	465.0	465.0	465.0	465.0	465.0	465.0	465.0	465.0	
c			450.6	450.6	450.6	450.6	450.6	450.6	450.6	450.6	450.6	450.6	450.6	450.6	
d			-	1	-	1	-	1	2	1	2	1	2	2	
Weight (kg)	vented		5.3	6.9	5.7	7.5	6.5	8.5	10.8	9.1	11.5	10.1	12.9	15.0	
	non vented		5.4	7.1	7.2	7.7	6.6	8.7	12.2	9.3	12.9	10.3	14.3	16.4	
<b>Accessories</b>															
Horiz. carrying handles		2	3751.250	3751.260	3751.250	3751.260	3751.250	3751.260	3751.270	3751.260	3751.270	3751.260	3751.270	3751.270	238
Support stand/carrying handles	RAL 5018*	1	3751.210	3751.210	3751.210	3751.210	3751.210	3751.210	3751.210	3751.210	3751.210	3751.210	3751.210	3751.210	238
	RAL 5012*	1	3751.212	3751.212	3751.212	3751.212	3751.212	3751.212	3751.212	3751.212	3751.212	3751.212	3751.212	3751.212	238
	RAL 7030	1	3751.214	3751.214	3751.214	3751.214	3751.214	3751.214	3751.214	3751.214	3751.214	3751.214	3751.214	3751.214	238
Blanking plate/rear panel		3	3751.600	3751.600	3751.610	3751.610	3751.620	3751.620	3751.620	3751.630	3751.630	3751.530	3751.530	3751.540	240
Rear door, solid		1	3751.100	3751.100	3751.110	3751.110	3751.120	3751.120	3751.120	3751.130	3751.130	-	-	-	240
Rear door, for fan		1	3751.150	3751.150	3751.160	3751.160	3751.170	3751.170	3751.170	3751.180	3751.180	-	-	-	240
Front door, vertic. hinged		1	3751.320	3751.320	3751.330	3751.330	3751.340	3751.340	3751.340	3751.350	3751.350	-	-	-	239
Slide rails		2	3751.500	3751.510	3751.500	3751.510	3751.500	3751.510	3751.520	3751.510	3751.520	3751.510	3751.510	3751.520	236
Mounting angles, 482.6 mm (19")		2	3751.670	3751.670	3751.680	3751.680	3751.690	3751.690	3751.690	3751.640	3751.640	3751.780	3751.780	3751.790	236
Threaded inserts		8	3751.720	3751.720	3751.730	3751.730	3751.740	3751.740	3751.740	3751.750	3751.750	3751.760	3751.760	3751.770	236
Trim section		2	3751.900	3751.900	3751.910	3751.910	3751.920	3751.920	3751.920	3751.930	3751.930	3751.820	3751.820	3751.830	237

\* Extended delivery times



**Technical specifications:**

Depth: 300 mm, 420 mm and 540 mm  
 Installation width: 482.6 mm (19")  
 Installation options: 482.6 mm (19") slide-in equipment and modular assemblies to DIN 41 494, part 5 and IEC 60297-3

**Protection category:**

IP 42 for no vented version.

**Material/Surface finish:**

Cover trays: Extruded aluminium section/die-cast, spray finished in RAL 7035  
 Side panels: Extruded aluminium section, spray finished in RAL 7035, colours RAL 5018/5012/7030\*  
 Corner caps: Plastic, RAL 5018/5012/7030\*  
 482.6 mm (19") mounting angles: Extruded aluminium section, clear chromated

**Supply includes:**

2 side panels,  
 2 cover trays,  
 8 corner caps,  
 8/12/16 cover caps (300/420/540 mm depth),  
 2 482.6 mm (19") mounting angles,  
 2 threaded inserts,  
 4 plain inserts.  
 Enclosures are supplied partially assembled

\* RAL 5018: turquoise  
 RAL 5012: light blue  
 RAL 7030: stone grey

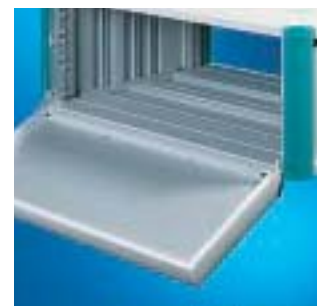
**Special sizes and colours on request.**

**RiCase accessories**  
 from page 238

**Subrack systems**  
 from page 128



**The support stand/carrying handle,** of solid aluminium, is adjustable on 30° increments.



**The keyboard lid** is designed for 482.6 mm (19") keyboards and has a security lock.