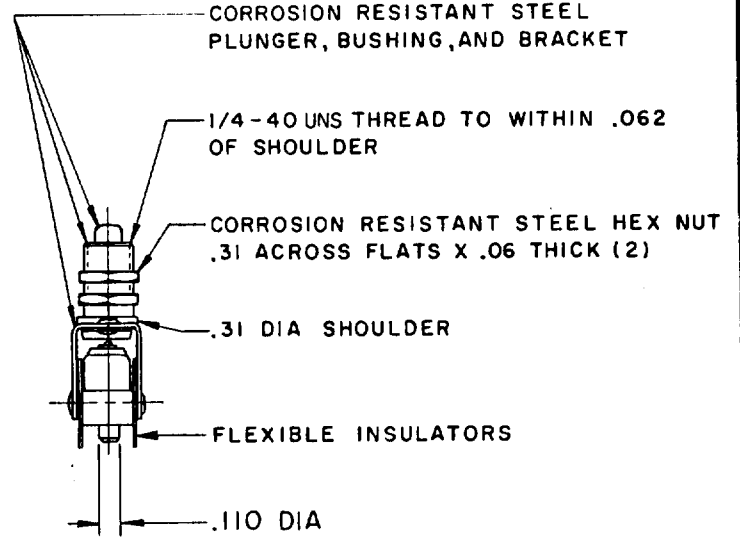
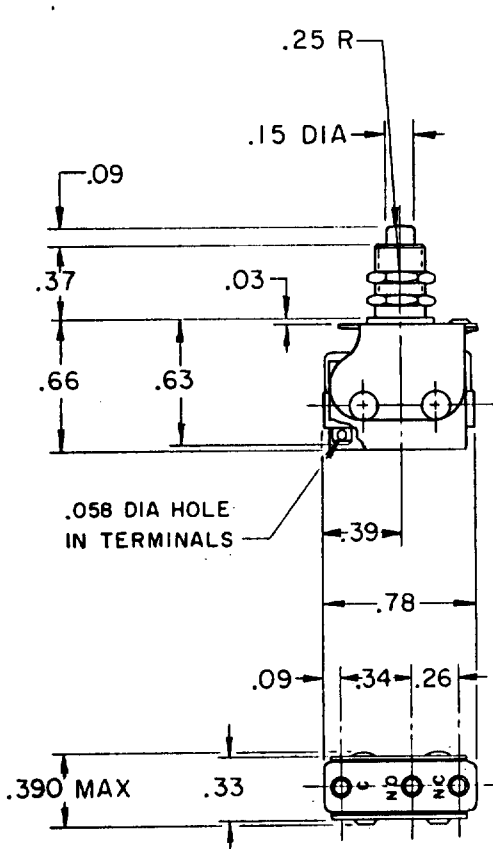
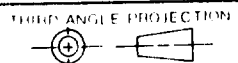


IPB5
 M
 DRAWING NUMBER
 ISSUE 13
 REVISIONS
 A C047481
 J A P
 20 MAR 80
 CHECK
 21 MAR 80
 DRAWN
 J A P
 20 MAR 80
 FO-52848-A



NOTE -
 1 - UNIT INCLUDES CAT. LIST, ISM TYPE BASIC SWITCH
 2 - TERMINALS ARE PLATED FOR SOLDERING
 3 - RECOMMENDED FOR MANUAL OPERATION ONLY

THIS DRAWING COVERS A PROPRIETARY ITEM AND IS THE PROPERTY OF MICRO SWITCH, A DIVISION OF HONEYWELL. THIS DRAWING IS NOT TO BE COPIED OR USED WITHOUT THE APPROVAL OF MICRO SWITCH.



CHARACTERISTICS
OPERATING FORCE ----- 1 LB APPROX
TOTAL TRAVEL ----- .030 APPROX

ELECTRICAL DATA	
CONTACT ARRANGEMENT S P D T	
250 VAC -----	5 AMP
30 VOLTS DC RATING	
INDUCTIVE ----- SEA LEVEL ---	3 AMP
INDUCTIVE ----- 50,000 FT ---	2.5 AMP
RESISTIVE ----- SEA LEVEL ---	5 AMP
RESISTIVE ----- 50,000 FT ---	5 AMP
MAXIMUM INRUSH -----	24 AMP

SCALE	FULL			
DO NOT SCALE PRINT				
TOLERANCES				
APPLY TO DESIGN UNITS. CONVERSIONS ARE ONLY FOR REFERENCE. UNLESS NOTED, TOLERANCES ARE ±				
	DIM. mm	TOL. mm/in	DIM. in	TOL. mm/in
NO PLACES	X	1/.04	X	0.8/.03
ONE PLACE	X,X	0.4/.016	X,X	0.38/.015
TWO PLACES	X,XX	0.15/.006	X,XX	0.13/.005
THREE PLACES	X,XXX		X,XXX	
ANGLES				
DESIGN UNITS	<input type="checkbox"/> SI METRIC		<input checked="" type="checkbox"/> US CUSTOMARY	
WEIGHT				