

DWG. NO.
SD-51281-009

F

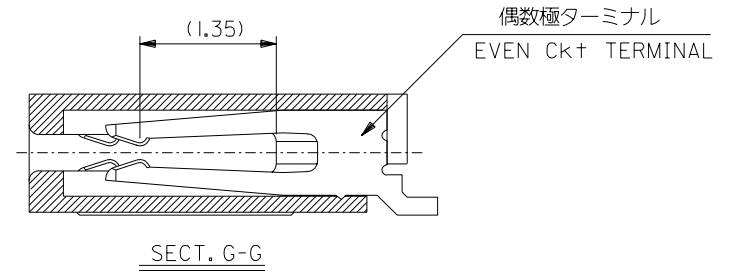
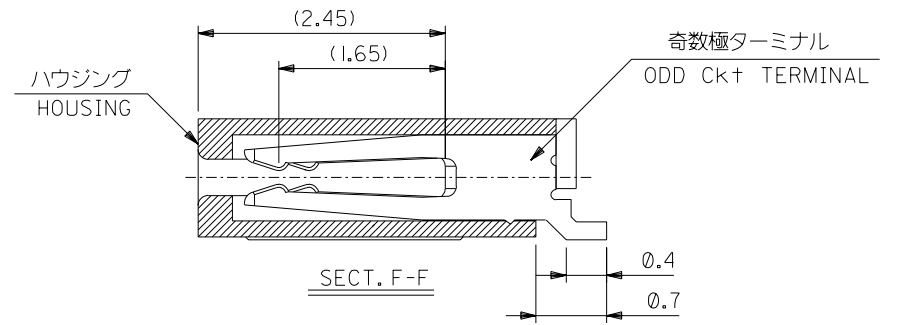
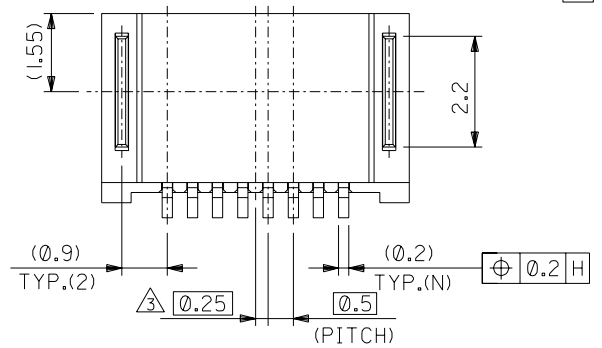
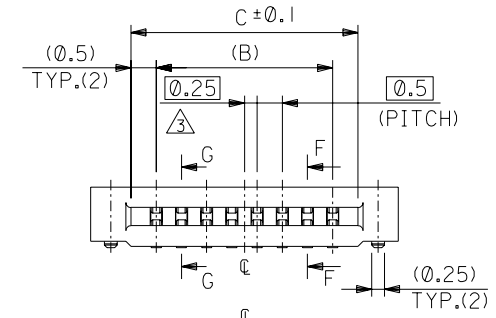
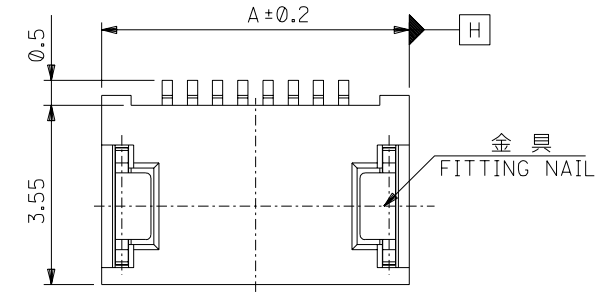
D

V

C

B

DO NOT SCALE DRAWING



13.5	12.5	15.1	51281-2630	26
12.5	11.5	14.1	-2430	24
11.5	10.5	13.1	-2230	22
10.5	9.5	12.1	-2030	20
9.5	8.5	11.1	-1830	18
8.5	7.5	10.1	-1630	16
7.5	6.5	9.1	-1430	14
6.5	5.5	8.1	-1230	12
5.5	4.5	7.1	-1030	10
5.0	4.0	6.6	-0930	9
4.5	3.5	6.1	-0830	8
3.5	2.5	5.1	-0630	6
3.0	2.0	4.6	51281-0530	5
C	B	A	MATERIAL NO.	CIRCUIT

EC NO. DRAWN: CHK'g: APPR:	EC NO. DRAWN: CHK'g: APPR:	EC NO. DRAWN: CHK'g: APPR:	REVISED EC NO. J2004-2296 DRAWN: M.NINOMIYA 04/02/05 CHK'g: K.TOJO 04/02/05 APPR: M.SASAO 04/02/05	RELEASED EC NO. J2004-1676 DRAWN: Y.WADA 03/12/22 CHK'g: M.SASAO 03/12/22 APPR: M.SASAO 03/12/22	DESCRIPTION	MATERIAL 材料	GENERAL TOLERANCES: (UNLESS SPECIFIED) 一般公差	SCALE —/—	DESIGN UNITS <input checked="" type="checkbox"/> mm <input type="checkbox"/> INCH	THIRD ANGLE PROJECTION <input checked="" type="checkbox"/> <input type="checkbox"/>	DIMENSIONS: <input type="checkbox"/> mm <input type="checkbox"/> INCH <input checked="" type="checkbox"/> mm ONLY	SHT	REV
			A	0	注記参照 SEE CHART	注記参照 SEE CHART	10 UNDER 未滿	±0.2	DRAWN BY & DATE Y.WADA '03/12/22	TITLE: 0.5 FPC Conn NON-ZIF Hsg Assy (Hgt=1.2mm) -LEAD FREE-			
					FINISH 仕上り		10 OVER 30 UNDER 以上 未滿	±0.25	CHECKED BY & DATE M.SASAO '03/12/22	MOLEX INCORPORATED			
					WIRE RANGE 適用線径範囲		30 OVER 以上	±0.3	APPROVED BY & DATE M.SASAO '03/12/22	MATERIAL NO. SD-51281-009.S01	DRAWING NO. SD-51281-009	SHEET NO. 1 OF 2	
					INS. RANGE 被覆外径		ANGLE 角度	±3°	CAD FILENAME	MATERIAL NO. 51281-***30	DRAWING NO. SD-51281-009	SHEET NO. 1 OF 2	

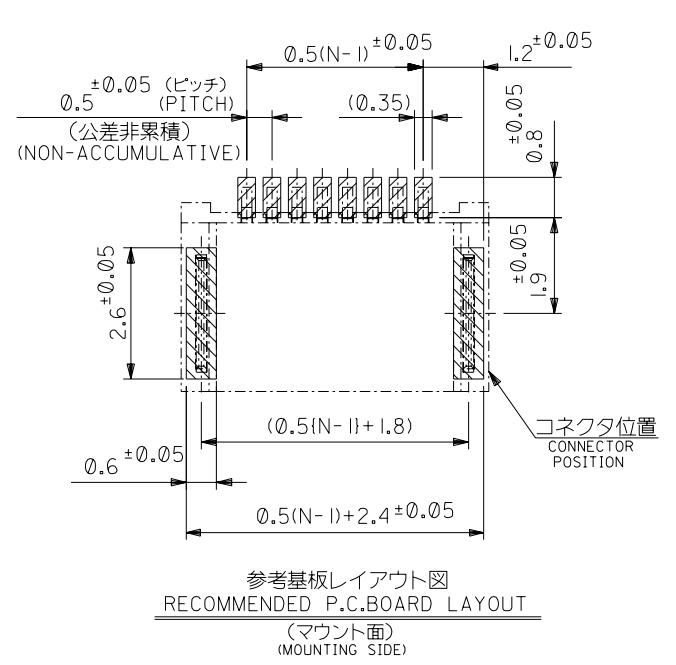
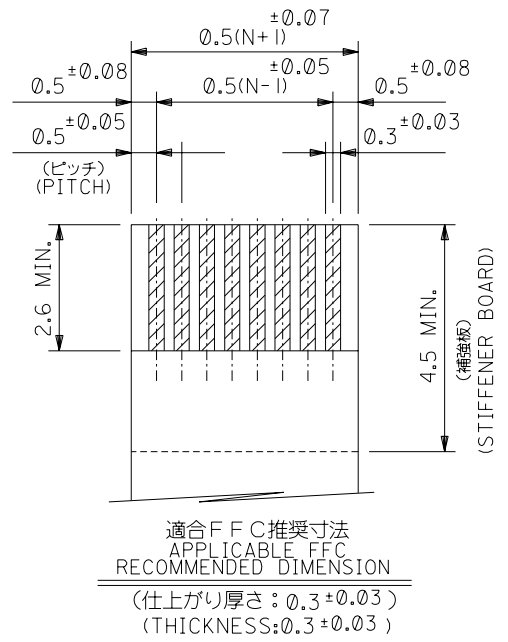
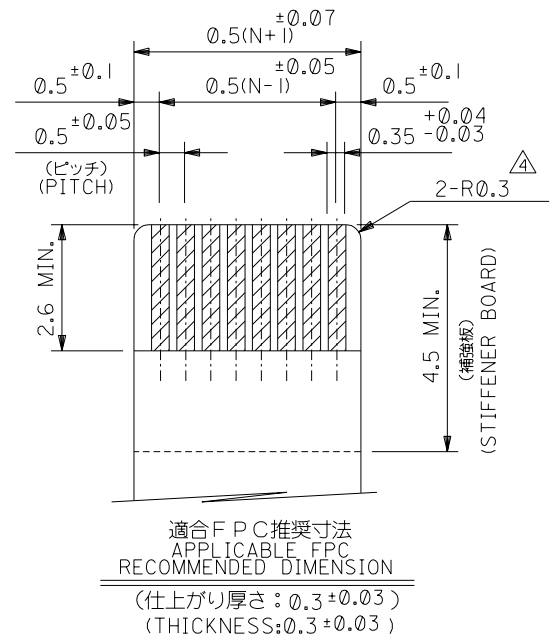
DESCRIPTION	MATERIAL 材料	GENERAL TOLERANCES: (UNLESS SPECIFIED) 一般公差	SCALE —/—	DESIGN UNITS <input checked="" type="checkbox"/> mm <input type="checkbox"/> INCH	THIRD ANGLE PROJECTION <input checked="" type="checkbox"/> <input type="checkbox"/>	DIMENSIONS: <input type="checkbox"/> mm <input type="checkbox"/> INCH <input checked="" type="checkbox"/> mm ONLY	SHT	REV

DESCRIPTION	MATERIAL 材料	GENERAL TOLERANCES: (UNLESS SPECIFIED) 一般公差	SCALE —/—	DESIGN UNITS <input checked="" type="checkbox"/> mm <input type="checkbox"/> INCH	THIRD ANGLE PROJECTION <input checked="" type="checkbox"/> <input type="checkbox"/>	DIMENSIONS: <input type="checkbox"/> mm <input type="checkbox"/> INCH <input checked="" type="checkbox"/> mm ONLY	SHT	REV

DESCRIPTION	MATERIAL 材料	GENERAL TOLERANCES: (UNLESS SPECIFIED) 一般公差	SCALE —/—	DESIGN UNITS <input checked="" type="checkbox"/> mm <input type="checkbox"/> INCH	THIRD ANGLE PROJECTION <input checked="" type="checkbox"/> <input type="checkbox"/>	DIMENSIONS: <input type="checkbox"/> mm <input type="checkbox"/> INCH <input checked="" type="checkbox"/> mm ONLY	SHT	REV

DWG. NO. SD-51281-009

DO NOT SCALE DRAWING

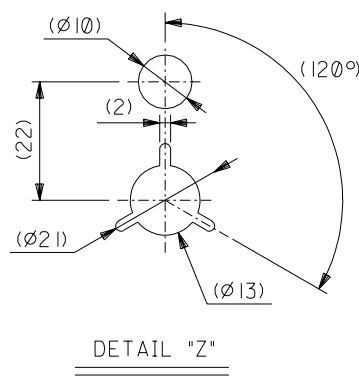
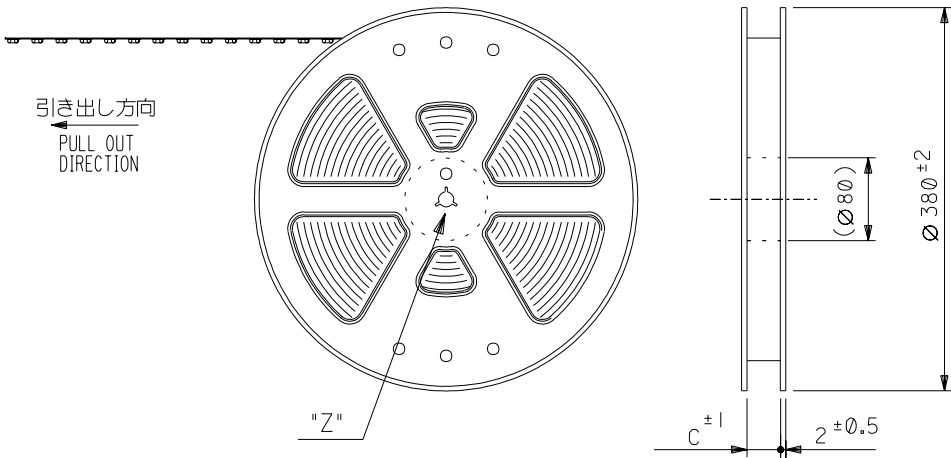


注記 NOTES

- 使用材料 MATERIAL
ハウジング : 液晶ポリマー ガラス充填 UL94V-0
HOUSING : LIQUID CRYSTAL POLYMER (GLASS FILLED) UL94V-0
ターミナル : リン青銅 (t=0.2), ニッケル下地 錫ビスマスマッキ
TERMINAL : PHOSPHOR-BRONZE, TIN-BISMUTH OVER NICKEL PLATING.
金具 : リン青銅 (t=0.25), ニッケル下地 純錫メッキ
FITTING NAIL : PHOSPHOR-BRONZE, PURE-TIN OVER NICKEL PLATING.
- ソルダーテール半田付け面のズレ量、及び金具半田付け面のズレ量は、基準面 □ に対し、上方向 0.1MAXIMUM 下方向 0.15MAXIMUM とする。
又、相互のバラツキ量は 0.1MAXIMUM とする。
MISALIGNMENT OF SOLDER TAILS AND FITTING NAILS FROM □
UPPER DIRECTION : 0.1 MAXIMUM, LOWER DIRECTION : 0.15 MAXIMUM.
OFFSET BETWEEN SOLDER TAILS AND FITTING NAILS : 0.1 MAXIMUM.
- 偶数極に適用。
TO BE APPLIED ONLY WHEN ALL CIRCUIT ARE EVEN.
- R0.3は、FPCの導体部にかからないこと。
R0.3 MUST NOT BE OVERLAPPED TO PATTERN OF FPC.

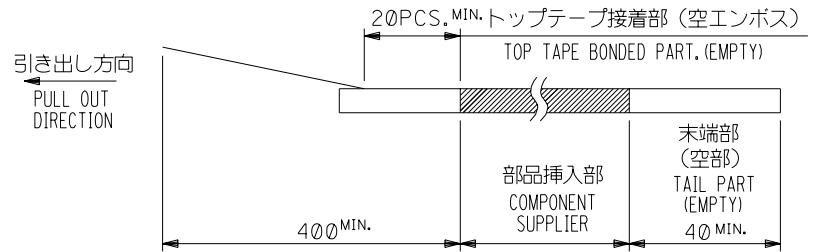
- FPC/FFCについて:
打抜き方向は導体側から補強板側を推奨いたします。
導体部については軟銅箔35μmまたは50μm
メッキ厚 3 ~ 9 μm 錫メッキ (電気メッキ)
を推奨いたします。
RECOMMENDED PUNCHER DIRECTION :
FROM CONDUCTOR SIDE TO STIFFENER BOARD SIDE.
RECOMMENDED CONDUCTOR SPEC :
THICKNESS OF SOFT COPPER FOIL : 35 μm or 50 μm
TIN OR SOLDER PLATING : 3 ~ 9 μm (ELECTRICAL PLATING)
- 本製品は51281-**-20の鉛フリー品である。
THIS PRODUCT IS LEAD FREE OF 51281-**-20.

EC NO. DRWN: CH'K: APPR:		EC NO. DRWN: CH'K: APPR:		EC NO. DRWN: CH'K: APPR:		REVISED EC NO. J2004-2296 DRWN: M.NINOMIYA 04/02/05 CH'K: K.TOJO 04/02/05 APPR: M.SASAO 04/02/05		RELEASED EC NO. J2004-1676 DRWN: Y.WADA 03/12/22 CH'K: M.SASAO 03/12/22 APPR: M.SASAO 03/12/22		MATERIAL 材料 注記参照 SEE CHART		GENERAL TOLERANCES: (UNLESS SPECIFIED) 一般公差		51281-**-30		MODEL NO.		DIMENSIONS: <input type="checkbox"/> mm <input type="checkbox"/> INCH <input checked="" type="checkbox"/> mm ONLY		SHT REV					
10 UNDER 未満 ±0.2		10 OVER 以上 30 UNDER 未満 ±0.25		30 OVER 以上 ±0.3		WIRE RANGE 適用電線範囲		ANGLE 角度 ±3°		DRAWN BY & DATE Y.WADA '03/12/22		CHECKED BY & DATE M.SASAO '03/12/22		APPROVED BY & DATE M.SASAO '03/12/22		CAD FILENAME SD-51281-009.S02		MATERIAL NO. 51281-**-30		DRAWING NO. SD-51281-009		SHEET NO. 2 OF 2			
FINISH 仕上げ 注記参照 SEE CHART										FINISH 仕上げ 注記参照 SEE CHART		SCALE 1/1		DESIGN UNITS <input checked="" type="checkbox"/> mm <input type="checkbox"/> INCH		THIRD ANGLE PROJECTION		TITLE: 0.5 FPC Conn NON-ZIF Hsg Assy (Hgt=1.2mm) -LEAD FREE-		MOLEX INCORPORATED		THIS DRAWING CONTAINS INFORMATION THAT IS PROPRIETARY TO MOLEX INCORPORATED AND SHOULD NOT BE USED WITHOUT WRITTEN PERMISSION.		SIZE B	

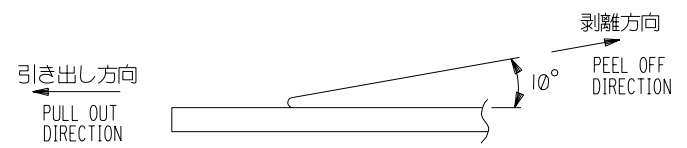


NOTES

- 製品詳細寸法については図面 SD-51281-009 を参照下さい。
RE DETAILED DIMENSION, SEE SD-51281-009.
- 梱包数量：3000個/リール
NUMBER OF CONNECTORS : 3000PCS/REEL
- リードテープ長さ LEAD TAPE LENGTH



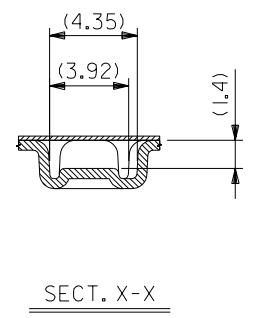
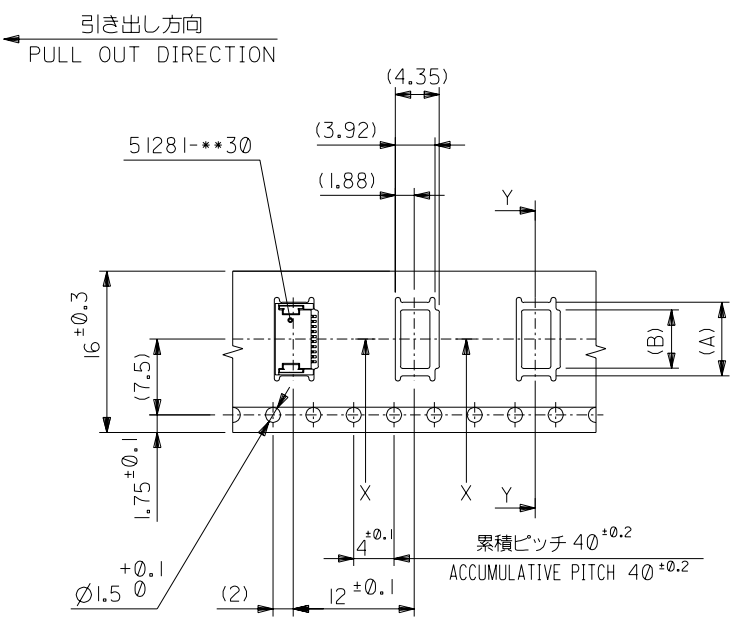
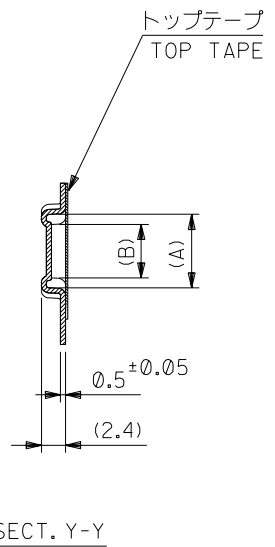
- トップテープの剥離強度：0.1N~1.3N {10gf~130gf}
(剥離方向は下図参照)
尚、本規格値は出荷時に適用。(但し、輸送時に剥離が発生しないこと。)
PEELING OFF FORCE OF TOP TAPE : 0.1N~1.3N {10gf~130gf}
(PEELING DIRECTION AS SHOWN IN FOLLOWING FIG.)
THIS REQUIREMENT SHOULD BE APPLIED AT SHIPMENT.
PEEL OFF SHOULD NOT BE ALLOWED ,DURING TRANSPORTATION.



- 材料 (MATERIAL)
キャリアテープ (CARRIER TAPE) : ポリプロピレン (POLYPROPYLENE)
トップテープ (TOPTAPE) : PET , PE , PEF
リール (REEL) : ポリスチレン (PS) <リサイクル材含む>
POLYSTYREN (PS) <RECYCLE MATERIAL CONTAINED>
- C寸法は SHEET 2 ~ 3 を参照下さい。
SEE SHEET 2 ~ 3 (DIMENSION C).
- 本製品は51281-**-**91の鉛フリー品である。
THIS PRODUCT IS LEAD FREE OF 51281-**-**91.

DO NOT SCALE DRAWING

EC NO. DRAWN: CHK'g: APPR.:	EC NO. DRAWN: CHK'g: APPR.:	EC NO. DRAWN: CHK'g: APPR.:	EC NO. DRAWN: CHK'g: APPR.:	EC NO. DRAWN: CHK'g: APPR.:	RELEASD EC NO. J2004-1676 DRAWN: Y.WADA '03/12/22 CHK'g: M.SASAO '03/12/22 APPR: M.SASAO '03/12/22	MATERIAL 材料 注記参照 SEE CHART	GENERAL TOLERANCES: (UNLESS SPECIFIED) 一般公差	SCALE --/	DESIGN UNITS <input checked="" type="checkbox"/> mm <input type="checkbox"/> INCH	THIRD ANGLE PROJECTION	DIMENSIONS: <input type="checkbox"/> mm <input type="checkbox"/> INCH <input checked="" type="checkbox"/> mm ONLY	SHT REV
					DESCRIPTION	FINISH 仕上げ 注記参照 SEE CHART	10 UNDER 未満 ±0.2	DRAWN BY & DATE Y.WADA '03/12/22	TITLE: 0.5 FPC Conn NON-ZIF (Hgt=1.2mm) Embstp Pkg -LEAD FREE-			
					REV	WIRE RANGE 適用電線範囲	10 OVER 30 UNDER 以上 未満 ±0.25	CHECKED BY & DATE M.SASAO '03/12/22	MOLEX INCORPORATED			
						INS. RANGE 被覆外径	30 OVER 以上 ±0.3	APPROVED BY & DATE M.SASAO '03/12/22	MATERIAL NO. DRAWING NO. SHEET NO. SEE CHART SD-51281-010 1 OF 4			
							ANGLE 角度 ±3°	CAD FILENAME SD-51281-010.S01	THIS DRAWING CONTAINS INFORMATION THAT IS PROPRIETARY TO MOLEX INCORPORATED AND SHOULD NOT BE USED WITHOUT WRITTEN PERMISSION. SIZE B			



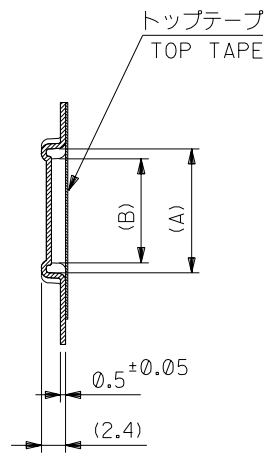
16mm幅キャリアテープ
16mm WIDTH CARRIER TAPE

16	17.5	4.3	6.3	51281-0892	8
		3.3	5.3	51281-0692	6
		2.8	4.8	51281-0592	5
キャリアテープ幅 CARRIER TAPE WIDTH	C	(B)	(A)	製品番号 MATERIAL No.	種数 Ck+
51281-***92	MODEL NO.	DIMENSIONS:		SHT	REV
SCALE	DESIGN UNITS	THIRD ANGLE PROJECTION		REVISION ON CAD ONLY	
Y.WADA	'03/12/22	TITLE:			
M.SASAO	'03/12/22	0.5 FPC Conn NON-ZIF (Hg+=1.2mm) Embstp Pkg -LEAD FREE-			
MOLEX MOLEX INCORPORATED					
CAD FILENAME	MATERIAL NO.	DRAWING NO.	SHEET NO.		
SD-51281-010.S02	SEE CHART	SD-51281-010	2 OF 4		
THIS DRAWING CONTAINS INFORMATION THAT IS PROPRIETARY TO MOLEX INCORPORATED AND SHOULD NOT BE USED WITHOUT WRITTEN PERMISSION.					SIZE B

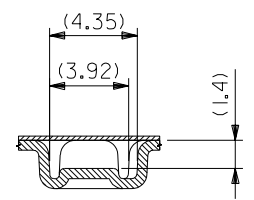
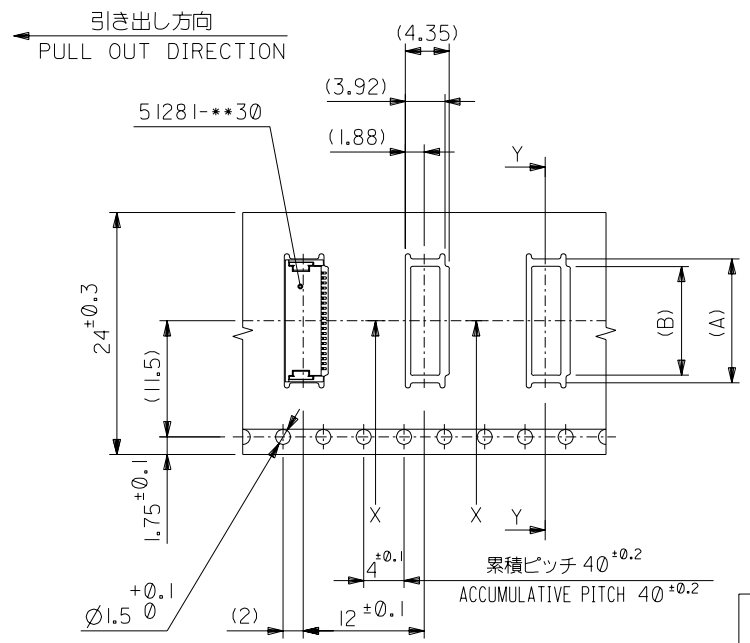
DO NOT SCALE DRAWING

EC NO. DRWN: CHK: APPR:	EC NO. DRWN: CHK: APPR:	EC NO. DRWN: CHK: APPR:	EC NO. DRWN: CHK: APPR:	EC NO. DRWN: CHK: APPR:	RELEASD EC NO. J2004-1676 DRWN: Y.WADA '03/12/22 CHK: M.SASAO '03/12/22 APPR: M.SASAO '03/12/22	MATERIAL 材料 SHEET 1 OF 4 参照 REFER TO SHEET 1 OF 4	GENERAL TOLERANCES: (UNLESS SPECIFIED) 一般公差
					DESCRIPTION	FINISH 仕上げ	10 UNDER 未満 ±0.2
					WIRE RANGE 適用電線範囲		10 OVER 30 UNDER 以上 未満 ±0.25
					INS. RANGE 被覆外径		30 OVER 以上 ±0.3
					REV	ANGLE 角度	±3°

DWG. NO.
SD-51281-010



SECT. Y-Y



SECT. X-X

24mm幅キャリアテープ
24mm WIDTH CARRIER TAPE

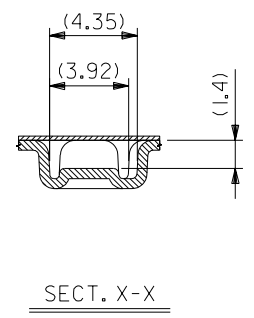
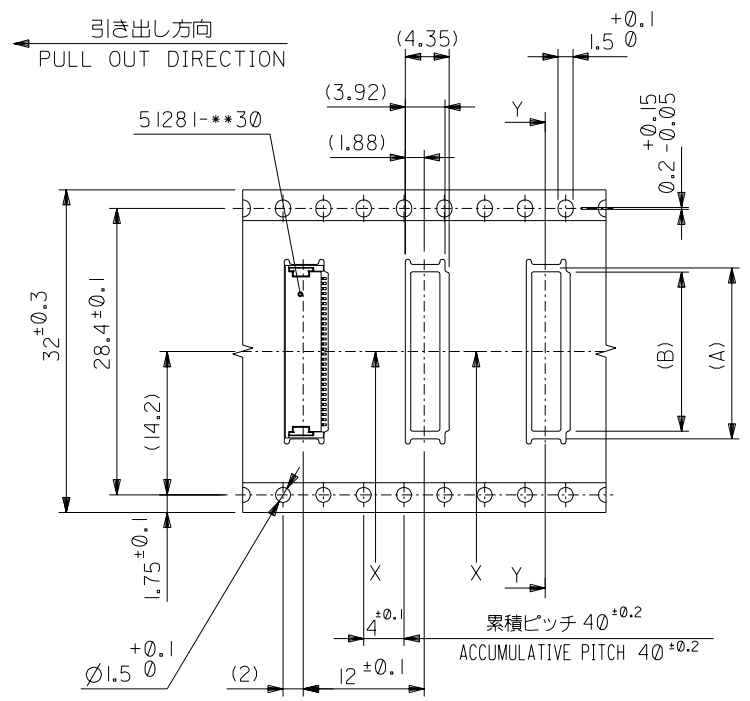
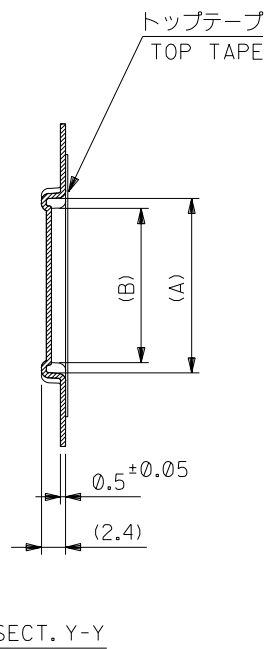
24	25.5	12.3	14.3	51281-2492	24	
		11.3	13.3	51281-2292	22	
		10.3	12.3	51281-2092	20	
		9.3	11.3	51281-1892	18	
		8.3	10.3	51281-1692	16	
		7.3	9.3	51281-1492	14	
		6.3	8.3	51281-1292	12	
		5.3	7.3	51281-1092	10	
4.8	6.8	51281-0992	9			
キャリアテープ幅 CARRIER TAPE WIDTH		C	(B)	(A)	製品番号 MATERIAL No.	種数 Ck+

EC NO. DRWN: CHK: APPR:	EC NO. DRWN: CHK: APPR:	EC NO. DRWN: CHK: APPR:	EC NO. DRWN: CHK: APPR:	EC NO. DRWN: CHK: APPR:	RELEASED EC NO. J2004-1676 DRWN: Y.WADA '03/12/22 CHK: M.SASAO '03/12/22 APPR: M.SASAO '03/12/22	MATERIAL 材料 SHEET 1 OF 4 参照 REFER TO SHEET 1 OF 4	GENERAL TOLERANCES: (UNLESS SPECIFIED) 一般公差	SCALE --#-- DESIGN UNITS <input checked="" type="checkbox"/> mm <input type="checkbox"/> INCH	DRAWN BY & DATE Y.WADA '03/12/22	TITLE: 0.5 FPC Conn NON-ZIF (Hg+ = 1.2mm) Embstp Pkg -LEAD FREE-
					DESCRIPTION	FINISH 仕上げ	10 UNDER 未満 ±0.2	30 UNDER 未満 ±0.25	CHECKED BY & DATE M.SASAO '03/12/22	MOLEX MOLEX INCORPORATED
					WIRE RANGE 適用電線範囲	---	30 OVER 以上 ±0.3	APPROVED BY & DATE M.SASAO '03/12/22	CAD FILENAME SD-51281-010.S03	
					INS. RANGE 被覆外径	---	ANGLE 角度 ±3°	MATERIAL NO. SEE CHART		

51281-***92	MODEL NO.	DIMENSIONS:		SHT	REV
		<input type="checkbox"/> mm <input type="checkbox"/> INCH	<input type="checkbox"/> mm <input checked="" type="checkbox"/> INCH		
		THIRD ANGLE PROJECTION			REVISE ON CAD ONLY
THIS DRAWING CONTAINS INFORMATION THAT IS PROPRIETARY TO MOLEX INCORPORATED AND SHOULD NOT BE USED WITHOUT WRITTEN PERMISSION.					
					SIZE B

DO NOT SCALE DRAWING

DWG. NO.
SD-51281-010



32mm幅キャリアテープ
32mm WIDTH CARRIER TAPE

32	33.5	13.3	15.3	51281-2692	26
キャリアテープ幅 CARRIER TAPE WIDTH			C (B) (A)	製品番号 MATERIAL No.	種数 Ck+
51281-**92		MODEL NO.		DIMENSIONS:	
SCALE	DESIGN UNITS	THIRD ANGLE PROJECTION		SHT	REV
—/—	<input checked="" type="checkbox"/> mm <input type="checkbox"/> INCH	<input type="checkbox"/> mm <input type="checkbox"/> INCH <input checked="" type="checkbox"/> mm ONLY		REVISE ON CAD ONLY	
DRAWN BY & DATE Y.WADA '03/12/22		TITLE: 0.5 FPC Conn NON-ZIF (Hg+=1.2mm) Embstp Pkg -LEAD FREE-			
CHECKED BY & DATE M.SASAO '03/12/22		MOLEX MOLEX INCORPORATED			
APPROVED BY & DATE M.SASAO '03/12/22					
CAD FILENAME SD-51281-010.S04		MATERIAL NO.	DRAWING NO.	SHEET NO.	
		SEE CHART	SD-51281-010	4 OF 4	
THIS DRAWING CONTAINS INFORMATION THAT IS PROPRIETARY TO MOLEX INCORPORATED AND SHOULD NOT BE USED WITHOUT WRITTEN PERMISSION.					SIZE B

EC NO. DRWN: CHK: APPR:	EC NO. DRWN: CHK: APPR:	EC NO. DRWN: CHK: APPR:	EC NO. DRWN: CHK: APPR:	EC NO. DRWN: CHK: APPR:	<p>RELEASED EC NO. J2004-1676 DRWN: Y.WADA '03/12/22 CHK: M.SASAO '03/12/22 APPR: M.SASAO '03/12/22</p>	<p>MATERIAL 材料 SHEET 1 OF 4 参照 REFER TO SHEET 1 OF 4</p>	<p>GENERAL TOLERANCES: (UNLESS SPECIFIED) 一般公差</p>
					DESCRIPTION	FINISH 仕上げ	<p>10 UNDER 未満 ±0.2</p> <p>10 OVER 30 UNDER 未満 ±0.25</p> <p>30 OVER 以上 ±0.3</p>
					WIRE RANGE 適用電線範囲		ANGLE 角度 ±3°
					INS. RANGE 被覆外径		

DO NOT SCALE DRAWING