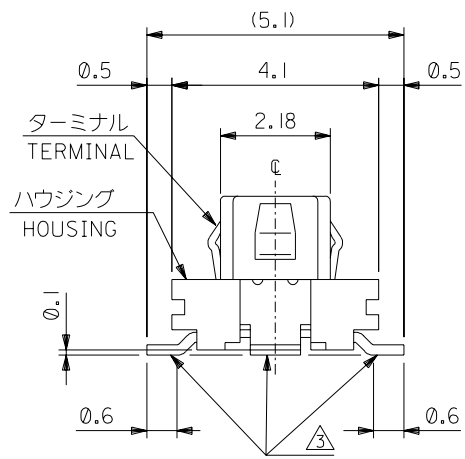
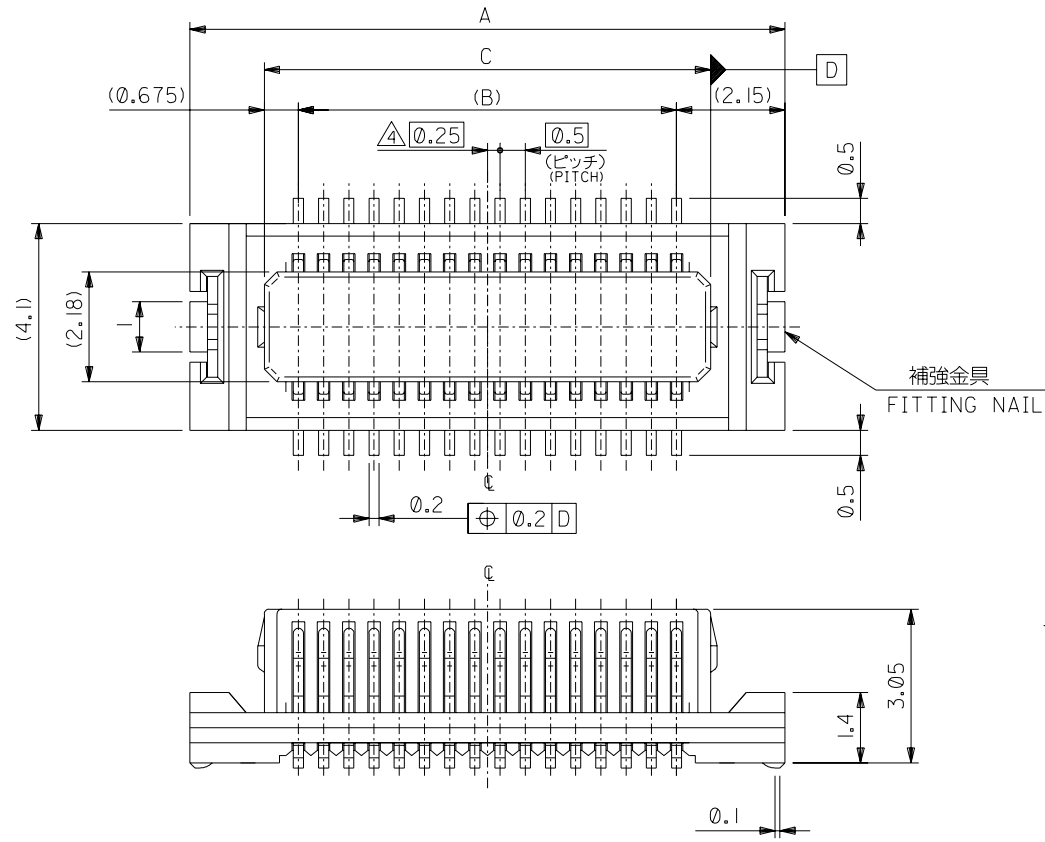


DWG. NO.
SD-54434-009



18.35	17.0	21.3	54434-0701	70
15.85	14.5	18.8	54434-0601	60
10.85	9.5	13.8	54434-0401	40
C	B	A	MATERIAL NO.	極数 CKTS.

DO NOT SCALE DRAWING

164 NO. DRWN: CH'K: APPR:	163 NO. DRWN: CH'K: APPR:	162 NO. DRWN: CH'K: APPR:	161 NO. DRWN: CH'K: APPR:	RELEASED 160 NO. J2004-3183 DRWN: H.SHIMABUKURO '04/3/18 CH'K: K.TOJO '04/3/18 APPR: M.SASAO '04/3/18
MATERIAL 材料				
FINISH 仕上げ				
WIRE RANGE 適用電線範囲				
INS. RANGE 被覆外径				

DESCRIPTION	注記参照 SEE NOTES
DESCRIPTION	注記参照 SEE NOTES

GENERAL TOLERANCES: (UNLESS SPECIFIED) 一般公差	SCALE	DESIGN UNITS
10 UNDER 未満	1:1	mm
10 OVER 30 UNDER 未満		INCH
30 OVER 以上		mm ONLY
ANGLE 角度		3°

MODEL NO.	54434-***1	DIMENSIONS:	SHT	REV
DRAWN BY & DATE	H.SHIMABUKURO '04/3/18	PROJECTION	2	1
CHECKED BY & DATE	K.TOJO '04/3/18	PROJECTION	TITLE: 0.5 BOARD TO BOARD CONN. HOUSING ASS'Y WITH NAIL WITH LOCK -LEAD FREE-	
APPROVED BY & DATE	M.SASAO '04/3/18	PROJECTION	MOLEX INCORPORATED	
CAD FILENAME	54434009.S01	MATERIAL NO.	DRAWING NO.	SHEET NO.
		SEE CHART	SD-54434-009	1 OF 2
THIS DRAWING CONTAINS INFORMATION THAT IS PROPRIETARY TO MOLEX INCORPORATED AND SHOULD NOT BE USED WITHOUT WRITTEN PERMISSION.				SIZE B

SD-54434-009:50

DWG. NO. SD-54434-009

F

D

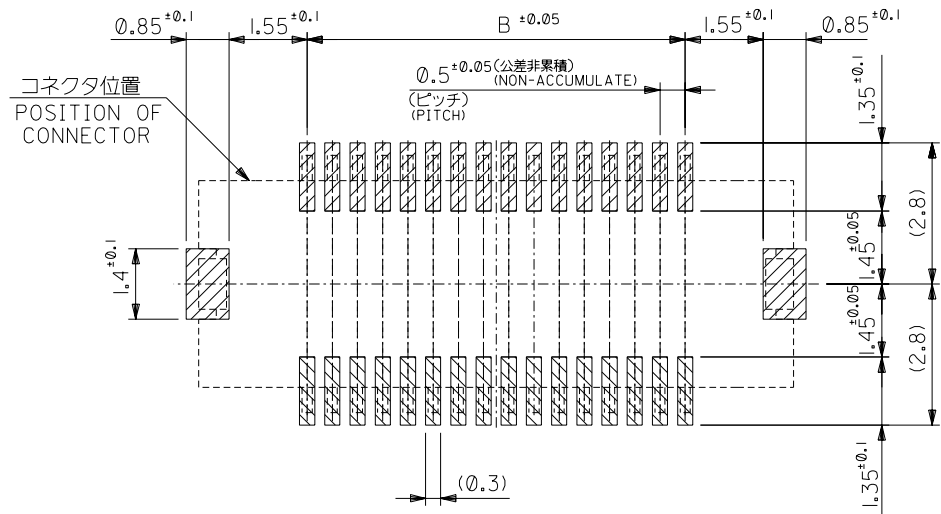
V

C

B

DO NOT SCALE DRAWING

8 7 6 5 4 3 2 1



参考基板レイアウト
RECOMMENDED P.C.BOARD
PATTERN DIMENSION.(REF.)

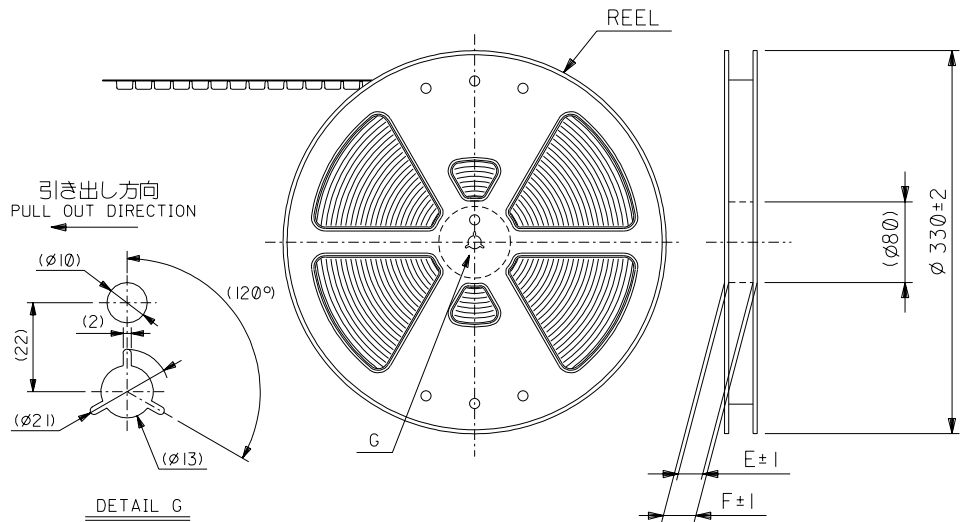
注記 NOTES:

- 材質 MATERIAL
ハウジング: LCP, (UL94V-0) HOUSING : LCP ,UL94V-0
ターミナル: リン青銅 (t=0.2) TERMINAL : PHOSPHOR BRONZE
補強金具 : 黄銅 (t=0.2) FITTING NAIL : BRASS
- メッキ仕様 PLATING
ターミナル: ニッケル下地金メッキ
TERMINAL: Au OVER Ni PLATING
補強金具 : 錫メッキ 下地: ニッケルメッキ
FITTING NAIL: TIN OVER NICKEL PLATING
- △ テールとネイルの相互のばらつきは0.1MAX.
MISALIGNMENT OF SOLDER TAIL AND FITTING NAIL
OFFSET BETWEEN UPPER AND LOWER : 0.1 MAX.
- △ (極数/2) = 偶数の場合に適用。
APPLY FOR (CIRCUIT/2)=EVEN.
- 嵌合相手: 55289シリーズ。
MATES WITH 55289 SERIES.
- 一對の基板の嵌合に於いて、本製品を2個以上使用することは推奨致し兼ねます。
MXJ DOES NOT RECOMMEND THE USAGE OF TWO OR MORE OF
THESE CONNECTORS BETWEEN A SINGLE PAIR OF P.C.BOARD.
- 本製品は 54434-***0 の鉛フリー品である。
THIS PRODUCT IS LEAD FREE OF 54434-***0

64 NO. DRAWN: CH'K: APPR: 63 NO. DRAWN: CH'K: APPR: 62 NO. DRAWN: CH'K: APPR: 61 NO. DRAWN: CH'K: APPR:		2004-3-183 DRAWN: H. SHIMABUKURO 04/3/18 CH'K: K. TOJO 04/3/18 APPR: M. SASAO 04/3/18		MATERIAL 材料 注記参照 SEE NOTES		GENERAL TOLERANCES: (UNLESS SPECIFIED) 一般公差		SCALE 1/1 DESIGN UNITS mm INCH <input checked="" type="checkbox"/> mm <input type="checkbox"/> INCH		MODEL NO. 54434-***1 DIMENSIONS: mm INCH mm ONLY <input type="checkbox"/> mm <input type="checkbox"/> INCH <input checked="" type="checkbox"/> mm ONLY		SHT 2 OF 2 REV B	
				FINISH 仕上げ 注記参照 SEE NOTES		10 UNDER 未満 ±0.2 10 OVER 30 UNDER 未満 ±0.25 30 OVER 以上 ±0.3		DRAWN BY & DATE: 04/3/18 H. SHIMABUKURO CHECKED BY & DATE: 04/3/18 K. TOJO APPROVED BY & DATE: 04/3/18 M. SASAO		TITLE: 0.5 BOARD TO BOARD CONN. HOUSING ASS'Y -LEAD FREE- WITH NAIL WITH LOCK		MOLEX INCORPORATED	
				WIRE RANGE 適用電線範囲 //		ANGLE 角度 ±3°		CAD FILENAME 54434009.S02 MATERIAL NO. SEE CHART DRAWING NO. SD-54434-009		SHEET NO. 2 OF 2		THIS DRAWING CONTAINS INFORMATION THAT IS PROPRIETARY TO MOLEX INCORPORATED AND SHOULD NOT BE USED WITHOUT WRITTEN PERMISSION.	

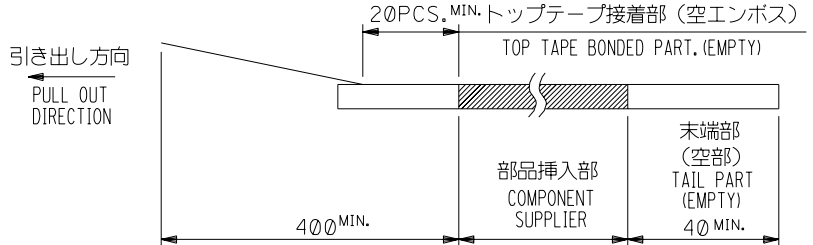
8 7 6 5 4 3 2 1 EN-02J(097) MXJ-54

SD-54434-009.S02

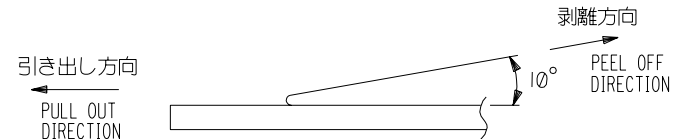


注記 NOTES

- 製品詳細寸法については図面 SD-54434-009 を参照下さい。
RE DETAILED DIMENSION, SEE SD-54434-009
- 梱包数量：1000個/リール
NUMBER OF CONNECTORS : 1000PCS/REEL
- リードテープ長さ LEAD TAPE LENGTH



- トップテープの剥離強度：0.1N ~ 1.3N(10gf ~ 130gf)
(剥離方向は下図参照)
尚、本規格値は出荷時に適用。(但し、輸送時に剥離が発生しないこと。)
PEELING OFF FORCE OF TOP TAPE : 0.1N ~ 1.3N(10gf ~ 130gf)
(PEELING DIRECTION AS SHOWN IN FOLLOWING FIG.)
THIS REQUIREMENT SHOULD BE APPLIED AT SHIPMENT.
PEEL OFF SHOULD NOT BE ALLOWED , DURING TRANSPORTATION.



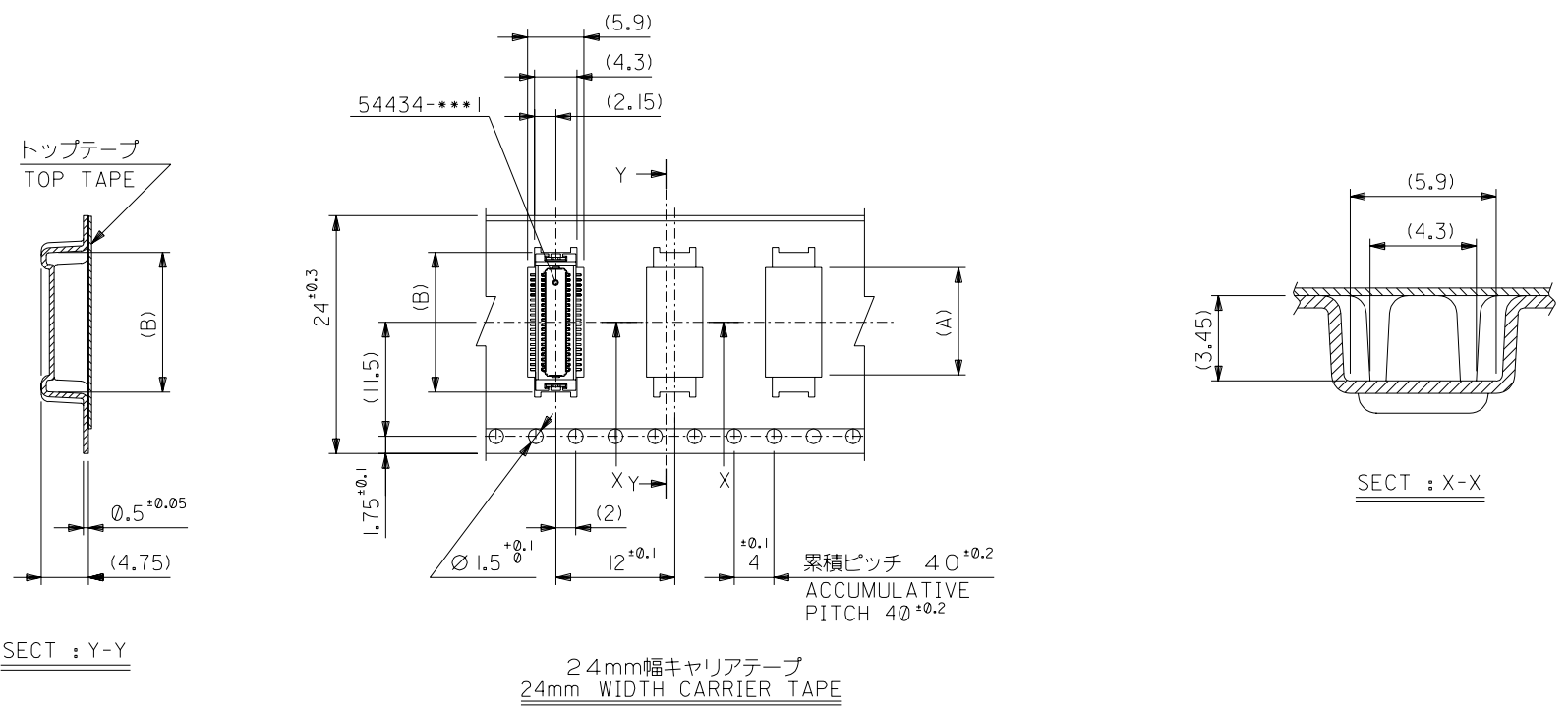
- 材料(MATERIAL)
キャリアテープ(CARRIER TAPE)：ポリプロピレン(POLYPROPYLENE)
トップテープ(TOPTAPE)：PET, PE, PEF
リール(REEL)：紙製(CARD BOARD)
- 本製品は 54434-***9 の鉛フリー品である。
THIS PRODUCT IS LEAD FREE OF 54434-***9

64 NO. DRWN: CH'K: APPR: 63 NO. DRWN: CH'K: APPR: 62 NO. DRWN: CH'K: APPR: 61 NO. DRWN: CH'K: APPR:		RELEASED 60 NO. J2004-3183 DRWN: H.SHIMABUKURO 04/18 CH'K: K.TOJO 04/18 APPR: M.SASAO 04/18		MATERIAL 材料 注記参照 SEE NOTES		GENERAL TOLERANCES: (UNLESS SPECIFIED) 一般公差 10 UNDER 未満 ±0.2 10 OVER 以上 30 UNDER 未満 ±0.25 30 OVER 以上 ±0.3 ANGLE 角度 ±3°		MODEL NO. 54434-***8 DIMENSIONS: <input type="checkbox"/> mm <input type="checkbox"/> INCH <input checked="" type="checkbox"/> mm ONLY SHT 1 OF 4 REV B	
		FINISH 仕上げ 注記参照 SEE NOTES		WIRE RANGE 適用電線範囲 // INS. RANGE 被覆外径 //		SCALE // DESIGN UNITS <input checked="" type="checkbox"/> mm <input type="checkbox"/> INCH DRAWN BY & DATE H.SHIMABUKURO 04/18 CHECKED BY & DATE K.TOJO 04/18 APPROVED BY & DATE M.SASAO 04/18 CAD FILENAME 54434010.S01		TITLE: 54434-***1 テーピング梱包 EMBOSSED TAPE PACKAGE FOR 54434-***1 -LEAD FREE- MOLEX INCORPORATED MATERIAL NO. SEE CHART DRAWING NO. SD-54434-010	

DWG. NO. SD-54434-010

8 7 6 5 4 3 2 1

引き出し方向
PULL OUT DIRECTION



24	29.4	25.4	14.1	11.04	54434-0408	40
キャリアテープ幅	F	E	(B)	(A)	MATERIAL NO.	極数 CKTS.

DO NOT SCALE DRAWING

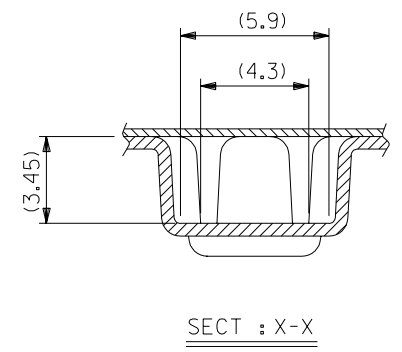
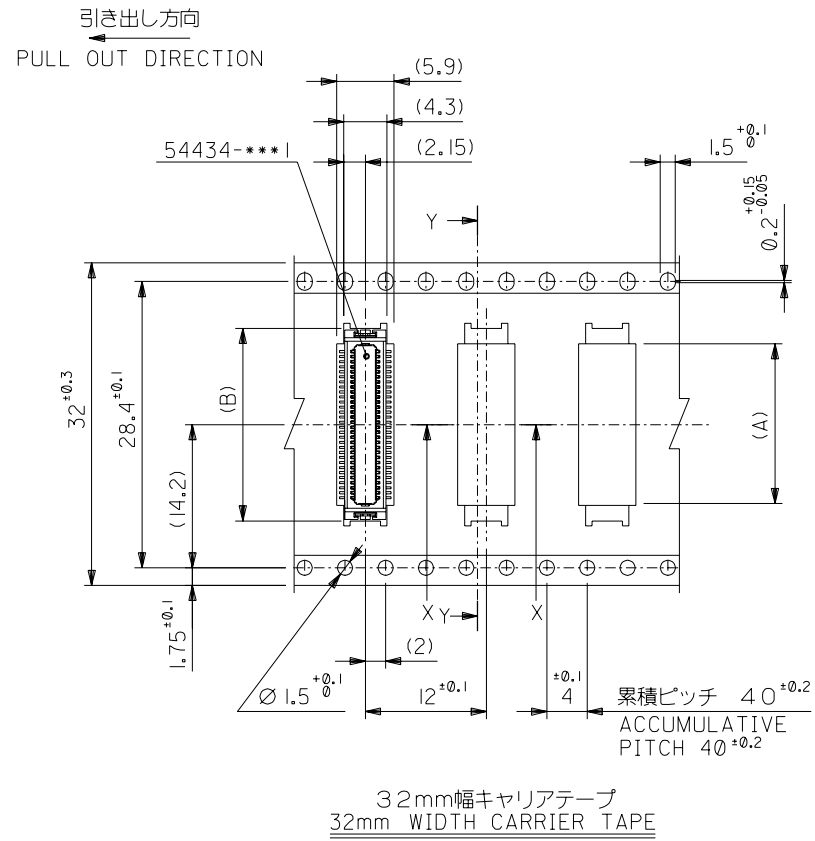
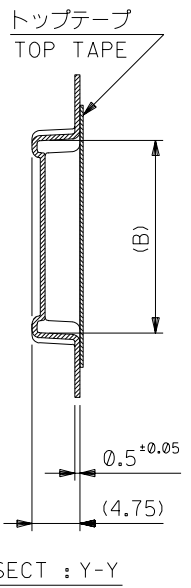
634NO. DRAWN: CHK: APPR:	633NO. DRAWN: CHK: APPR:	62NO. DRAWN: CHK: APPR:	61NO. DRAWN: CHK: APPR:	RELEASED 60NO. J2004-3183 DRAWN: H.SHIMABUKURO '04/3/18 CHK: K.TOJO '04/3/18 APPR: M.SASAO '04/3/18	MATERIAL 材料 注記参照 SEE NOTES	GENERAL TOLERANCES: (UNLESS SPECIFIED) 一般公差 10 UNDER 未滿 ±0.2 10 OVER 30 UNDER 未滿 ±0.25 30 OVER 以上 ±0.3 ANGLE 角度 ±3°	MODEL NO. 54434-***8	DIMENSIONS: <input type="checkbox"/> mm <input type="checkbox"/> INCH <input checked="" type="checkbox"/> mm ONLY	SHT REV
							DRAWN BY & DATE H.SHIMABUKURO '04/3/18 CHECKED BY & DATE K.TOJO '04/3/18 APPROVED BY & DATE M.SASAO '04/3/18 CAD FILENAME 54434010.S02	TITLE: 54434-***1 テーピング梱包 EMBOSSD TAPE PACKAGE FOR 54434-***1 -LEAD FREE- MOLEX INCORPORATED	MATERIAL NO. SEE CHART DRAWING NO. SD-54434-010 SHEET NO. 2 OF 4
WIRE RANGE 適用電線範囲 //						THIS DRAWING CONTAINS INFORMATION THAT IS PROPRIETARY TO MOLEX INCORPORATED AND SHOULD NOT BE USED WITHOUT WRITTEN PERMISSION.			
INS. RANGE 被覆外径 //						EN-02J(097) MXJ-54			

8 7 6 5 4 3 2 1

SD-54434-010.S02

DWG. NO. SD-54434-010

8 7 6 5 4 3 2 1



32	37.4	33.4	19.1	16.04	54434-0608	60
キャリアテープ幅	F	E	(B)	(A)	MATERIAL NO.	極数 CKTS.

64 NO. DRWN: CH'K: APPR: 63 NO. DRWN: CH'K: APPR: 62 NO. DRWN: CH'K: APPR: 61 NO. DRWN: CH'K: APPR:		RELEASED 60 NO. J2004-3183 DRWN: H. SHIMABUKURO 04/3/18 CH'K: K. TOJO 04/3/18 APPR: M. SASAO 04/3/18	MATERIAL 材料 注記参照 SEE NOTES FINISH 仕上げ 注記参照 SEE NOTES WIRE RANGE 適用電線範囲 INS. RANGE 被覆外径	GENERAL TOLERANCES: (UNLESS SPECIFIED) 一般公差 10 UNDER 未満 ±0.2 10 OVER 以上 30 UNDER 未満 ±0.25 30 OVER 以上 ±0.3 ANGLE 角度 ±3°	MODEL NO. 54434-***8 SCALE -- DESIGN UNITS <input checked="" type="checkbox"/> mm <input type="checkbox"/> INCH DRAWN BY & DATE H. SHIMABUKURO 04/3/18 CHECKED BY & DATE K. TOJO 04/3/18 APPROVED BY & DATE M. SASAO 04/3/18 CAD FILENAME 54434010.S03	DIMENSIONS: <input type="checkbox"/> mm <input type="checkbox"/> INCH <input checked="" type="checkbox"/> mm ONLY SHT 3 OF 4 REV TITLE: 54434-***1 テーピング梱包 EMBOSSED TAPE PACKAGE FOR 54434-***1 -LEAD FREE- MOLEX INCORPORATED MATERIAL NO. SEE CHART DRAWING NO. SD-54434-010 SHEET NO. 3 OF 4 SIZE B
--	--	--	---	--	--	--

DO NOT SCALE DRAWING

8 7 6 5 4 3 2 1 EN-02J(097) MXJ-54

SD-54434-010.S03

DWG. NO. SD-54434-010

F

D

V

C

B

DO NOT SCALE DRAWING

8 7 6 5 4 3 2 1

F

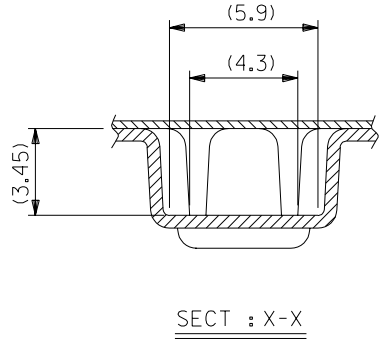
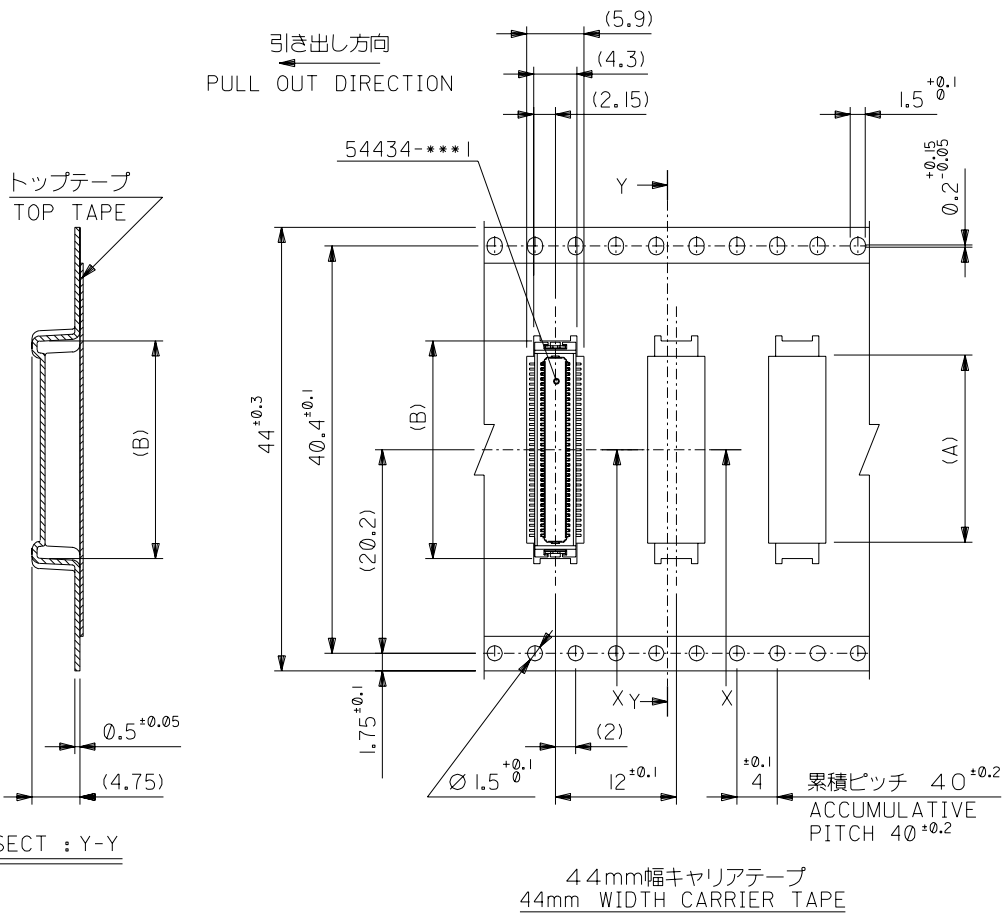
E

D

C

B

SD-54434-010.S04



44	49.4	45.4	21.6	18.54	54434-0708	70
キャリアテープ幅	F	E	(B)	(A)	MATERIAL NO.	極数 CKTS.

62 NO. DRWN: CH'K: APPR: 63 NO. DRWN: CH'K: APPR: 62 NO. DRWN: CH'K: APPR: 61 NO. DRWN: CH'K: APPR:	RELEASED 60 NO. J2004-3183 DRWN: H.SHIMABUKURO 04/3/18 CH'K: K.TOJO 04/3/18 APPR: M.SASAO 04/3/18	MATERIAL 材料 注記参照 SEE NOTES FINISH 仕上げ 注記参照 SEE NOTES	GENERAL TOLERANCES: (UNLESS SPECIFIED) 一般公差 10 UNDER 未満 ±0.2 10 OVER 以上 30 UNDER 未満 ±0.25 30 OVER 以上 ±0.3 ANGLE 角度 ±3°	MODEL NO. 54434-***8 SCALE -- DESIGN UNITS <input checked="" type="checkbox"/> mm <input type="checkbox"/> INCH DIMENSIONS: <input checked="" type="checkbox"/> mm <input type="checkbox"/> INCH <input type="checkbox"/> mm ONLY SHT REV BEWISE ON CAD ONLY	DRAWN BY & DATE: 04/3/18 H.SHIMABUKURO CHECKED BY & DATE: 04/3/18 K.TOJO APPROVED BY & DATE: 04/3/18 M.SASAO CAD FILENAME: 54434010.S04	TITLE: 54434-***1 テーピング梱包 EMBOSSED TAPE PACKAGE FOR 54434-***1 -LEAD FREE- MOLEX INCORPORATED	MATERIAL NO. SEE CHART DRAWING NO. SD-54434-010 SHEET NO. 4 OF 4
				WIRE RANGE 適用電線範囲 // INS. RANGE 被覆外径 //	THIS DRAWING CONTAINS INFORMATION THAT IS PROPRIETARY TO MOLEX INCORPORATED AND SHOULD NOT BE USED WITHOUT WRITTEN PERMISSION.	SIZE B	

8 7 6 5 4 3 2 1 EN-02J(097) MXJ-54