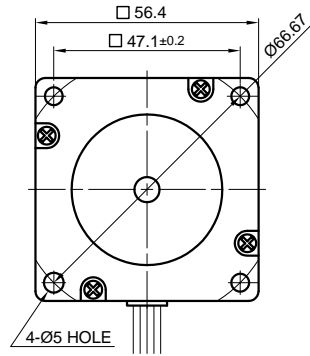
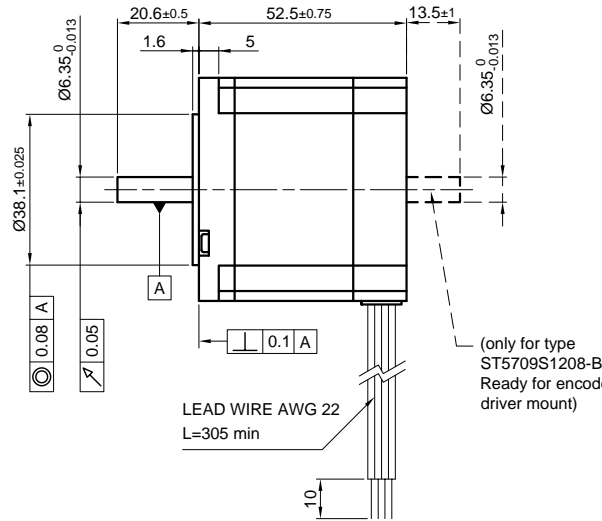


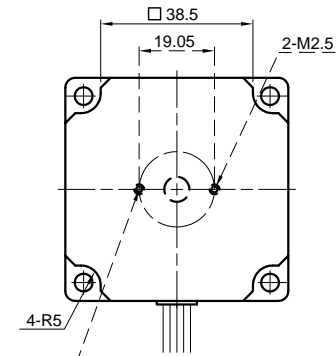
Front view and mounting



Side view

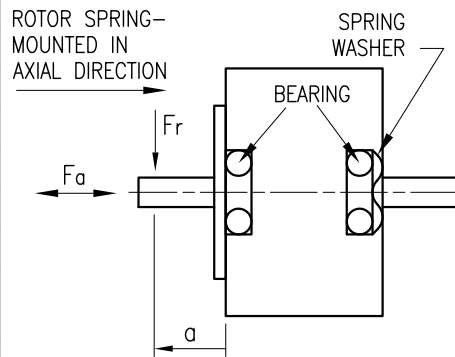


Rear view



SPECIFICATION	CONNECTION		BIPOLAR	
	UNIPOLAR OR BIPOLAR-1 WINDING	SERIAL	PARALLEL	
VOLTAGE (VDC)	6.0			
AMPS/PHASE	1.2	0.85	1.7	
RESISTANCE/PHASE (Ohms)@25°C	5.0±15%	10±15%	2.5±15%	
INDUCTANCE/PHASE (mH) @1KHz	11.6±20%	46.4±20%	11.6±20%	
HOLDING TORQUE (Nm) [lb-in]	0.75 [6.637]	1.06 [9.381]	1.06 [9.381]	
DETENT TORQUE (Nm) [lb-in]	0.0225 [0.199]			
STEP ANGLE (°)	0.9			
STEP ACCURACY (NON-ACCUM)	±5%			
ROTOR INERTIA (Kg-m ²) [lb-in ²]	2.75x10 ⁻⁵ [0.094]			
WEIGHT (Kg) [lb]	0.65 [1.433]			

PERMISSIBLE RADIAL+AXIAL FORCE



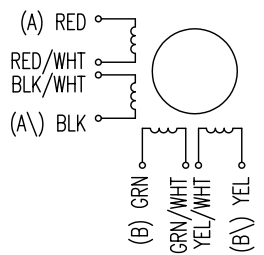
AXIAL-FORCE Fa (N)	Fa=10			
DISTANCE a (mm)	5	10	15	20
RADIAL-FORCE Fr (N)	130	90	70	52
		AXIAL	RADIAL	
SHAFT PLAY (mm)	0.075	0.025		
AT LOAD MAX: (N)	10	5.0		

UNIPOLAR	TYPE OF CONNECTION (EXTERN)			MOTOR	
	1WINDING	SERIAL	PARALLEL	LEADS	WINDING
A	A	A	A	RED	A
COM				RED/WHT	
A\		A\	A\	BLK	A\
B	B	B	B	GRN	B
COM				GRN/WHT	
B\		B\	B\	YEL/WHT	B\
				YEL	

FULL STEP 2 PHASE-Ex., WHEN FACING MOUNTING END (X)

STEP	A	B	A\	B\	CCW	CW
1	+	+	-	-		
2	-	+	+	-		
3	-	-	+	+		
4	+	-	-	+		

WIRING DIAGRAM



REV	DESCRIPTION	DATE	APVD

NANOTEC:		SCALE FREE	APVD	S.H.a.	15.01.07
ST5709S1208		X ±0.5	CHKD		
		1PL ±0.2	DRN	J.W.	05.07.06
		2PL ±0.1	SIGNATURE		DATE
		ANGLE ±30'			

STEPPING MOTOR	
DWG.NO	ST5709S1208